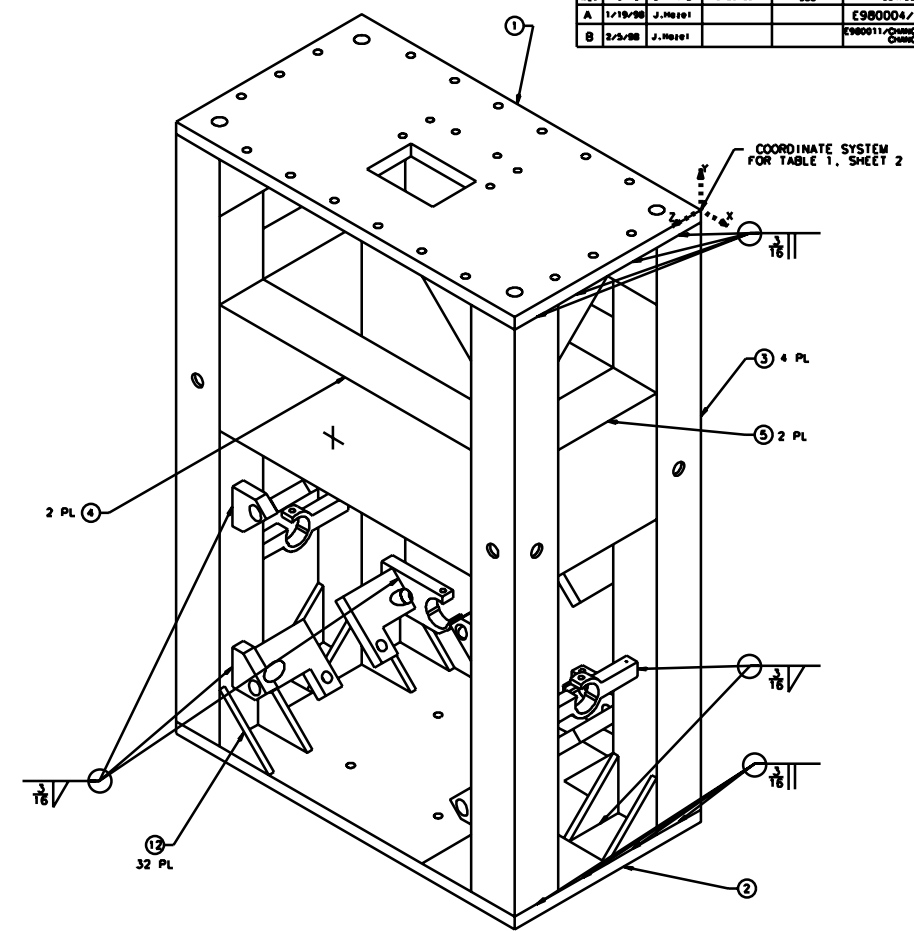
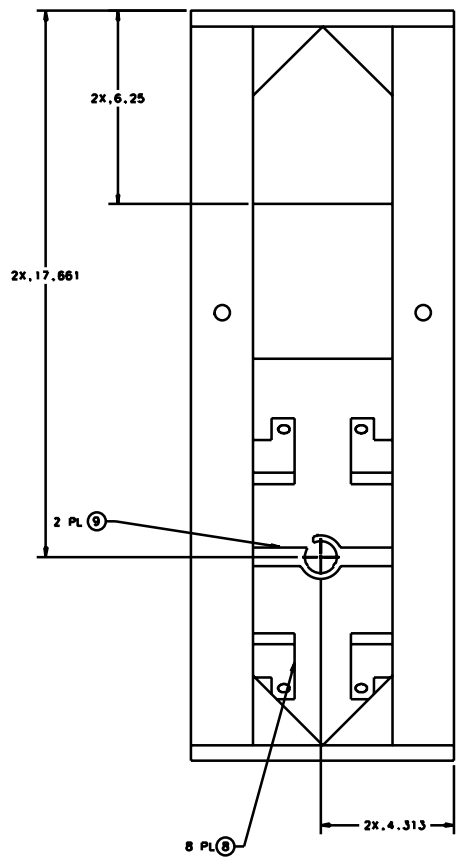
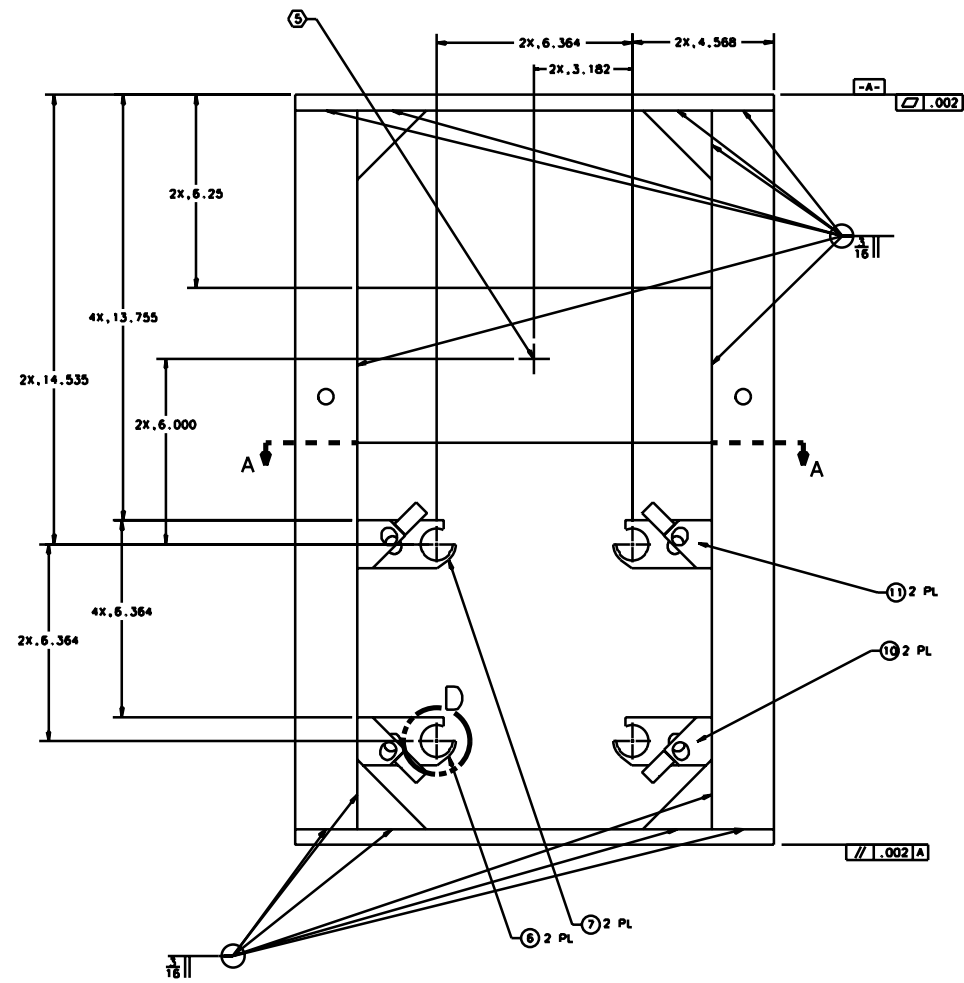
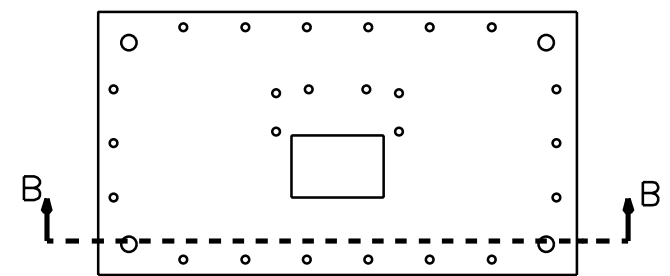


NOTES: (UNLESS OTHERWISE SPECIFIED)

- SPECIFICATIONS FOR THE CONSTRUCTION OF THIS ASSEMBLY ARE DETAILED IN LIGO E970038, THE LARGE OPTIC SUSPENSION STRUCTURAL FABRICATION SPECIFICATION.
- THESE FEATURES TO BE MACHINED AFTER ANNEALING.
- FLY CUT THESE SURFACES, OF BRACKETS FIND NOS. 6 AND 7, AT A 2° ANGLE. REMOVE MATERIAL FROM THE CENTER OF THE ASSEMBLY TO .25 FROM THE LEGS.
- TABLE 1 DEFINES THE VECTORS THAT ARE THE CENTERLINES OF THE EIGHT THREADED HOLES DEFINED IN VIEW E ON SHEET 2.
- ETCH OR SCRIBE CROSSHAIRS, POSITION AND APPROX SIZE AS SHOWN, ONTO FRONT AND BACK OF STRUCTURE. ETCH .01 WIDE MAX. AND .02 MAX BELOW SURFACE, AFTER ANNEALING.



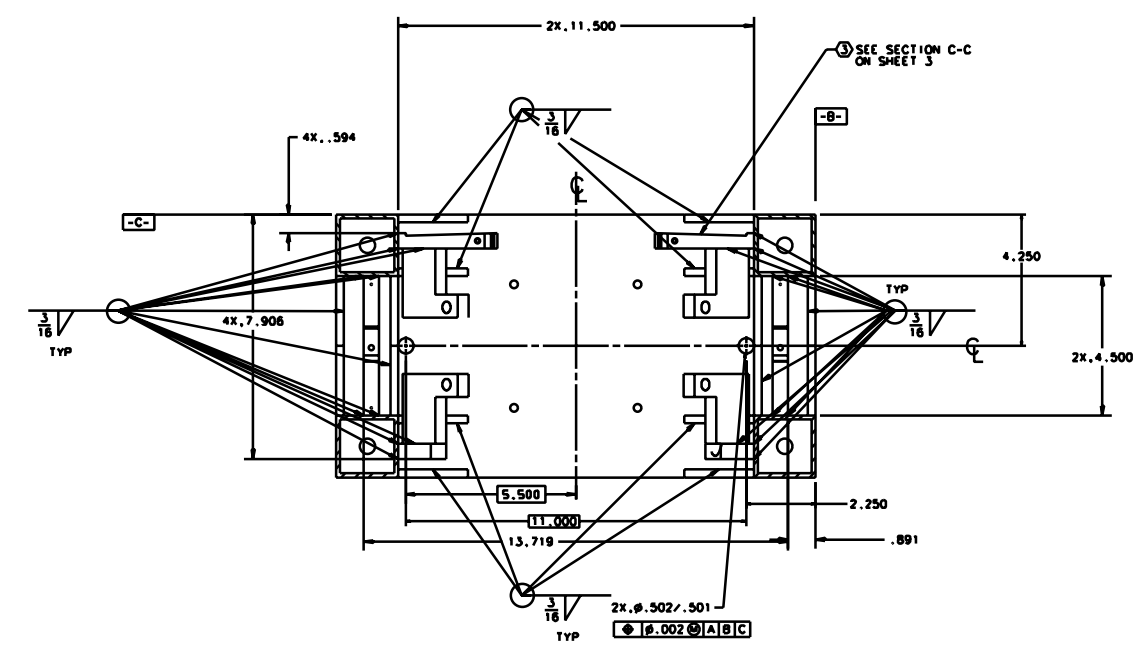
REV	DATE	DRWN BY	CHECKED	QCC	DESCRIPTION
A	1/19/98	J. Hozel			E980004/INITIAL RELEASE
B	2/2/98	J. Hozel			E980011/CHANGE TO NOTE 3 CHANGE TO SECTION A-A

QTY	PART NO.	DESCRIPTION	MATERIAL	FINISH
32		GUSSET, 2.25 x 2.25 x .45"	.13 THICK 304 STAINLESS	
2	D960143	LOS BRACKET, FRONT, TOP		
2	D960142	LOS BRACKET, FRONT, BOTTOM		
2	D960141	LOS BRACKET, SENSOR/ACTUATOR, SIDE		
8	D960140	LOS BRACKET, SAFETY STOP		
2	D960137	LOS BRACKET, SENSOR/ACTUATOR, TOP		
2	D960136	LOS BRACKET, SENSOR/ACTUATOR, BOTTOM		
2	D960506	LOS SIDE STIFFENER		
2	D960502	LOS FRONT STIFFENER		
4	D960504	LOS LEG		
1	D960505	LOS BOTTOM PLATE		
1	D960503	LOS TOP PLATE		

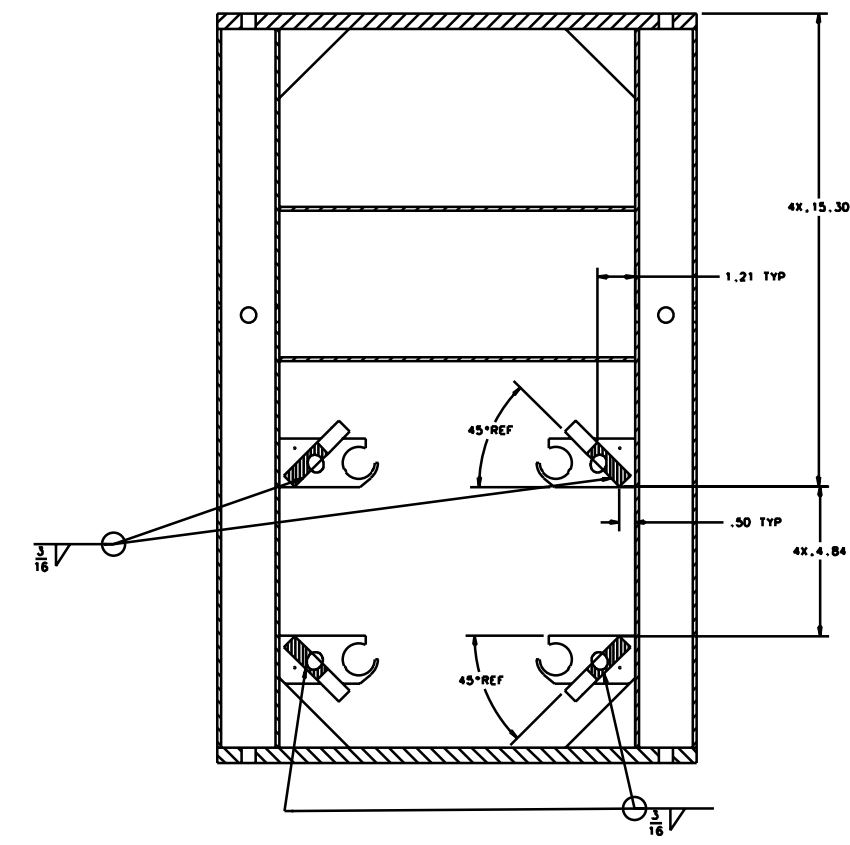
APPROVALS	DATE	FILE
DRWN J. Hozel	1/98	
CHECKED		

PROJECT	D970564, D970577	SHEET	E	REV	B
FILE LOCATION	name/rec/occs/0970551.ppt	SCALE	1/2	SHEET 1 OF 3	

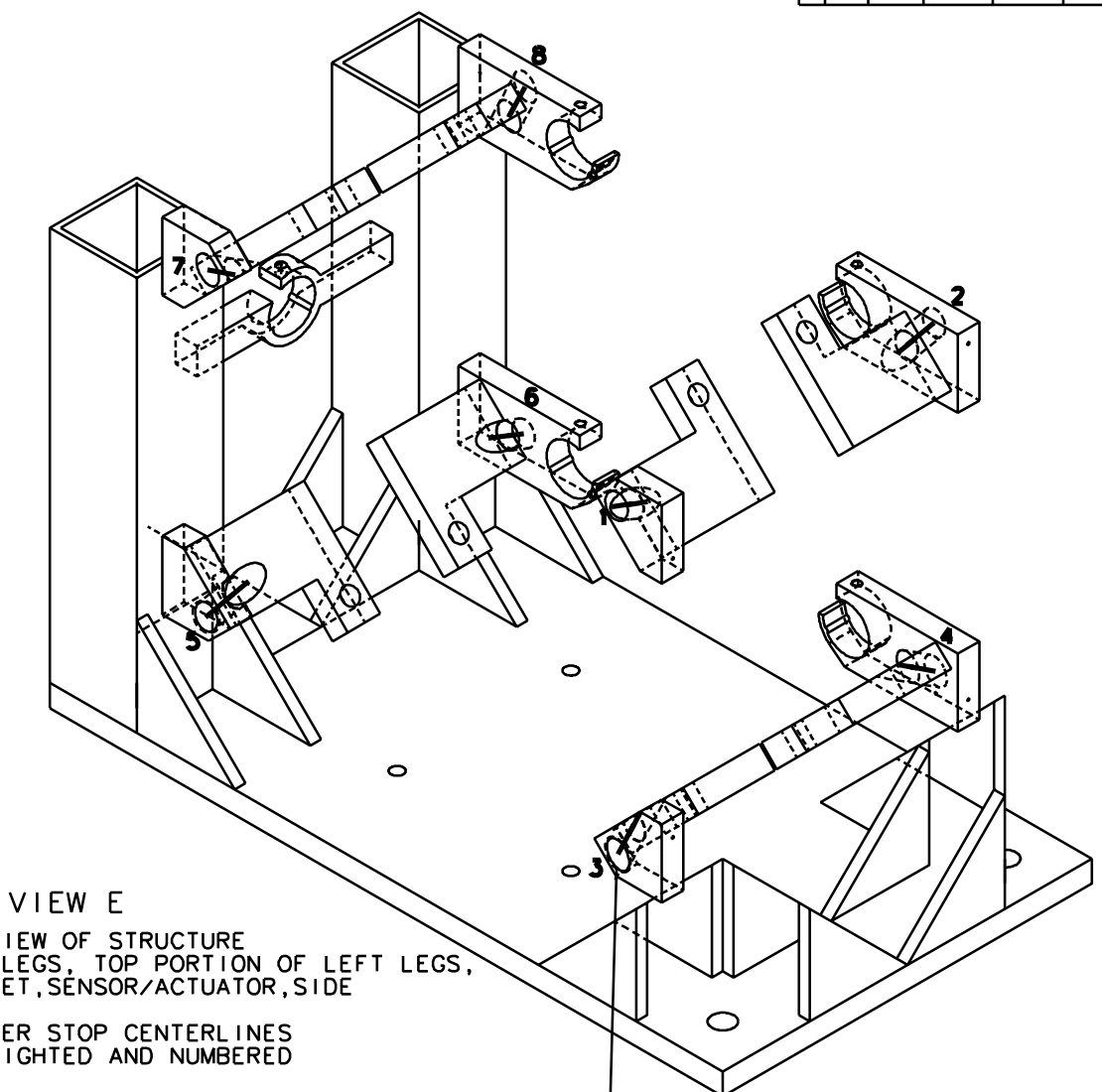
REV	DATE	DRWN BY	CHECKED	QCC	DESCRIPTION
A	1/19/98	J. Hazzel			E980004/INITIAL RELEASE
B	2/2/98	J. Hazzel			E980011/CHANGE TO NOTE 3 CHANGE TO SECTION A-A



SECTION A-A



SECTION B-B



VIEW E
ISO VIEW OF STRUCTURE
WITHOUT: RIGHT LEGS, TOP PORTION OF LEFT LEGS,
RIGHT LOS BRACKET, SENSOR/ACTUATOR, SIDE
CHAMFER STOP CENTERLINES
HIGHLIGHTED AND NUMBERED

TABLE 1 CHAMFER STOP VECTORS

CHAMFER STOP NUMBER	START POINT	END POINT
1	-3.033, -14.332, 7.906	-3.525, -15.350, 6.068
2	-2.982, -14.088, 0.594	-3.525, -15.213, 2.627
3	-3.009, -21.295, 7.906	-3.525, -20.227, 5.975
4	-3.061, -21.041, 0.594	-3.525, -20.082, 2.330
5	-12.491, -21.295, 7.906	-11.975, -20.227, 5.975
6	-12.439, -21.041, 0.594	-11.975, -20.082, 2.330
7	-12.467, -14.332, 7.906	-11.975, -15.350, 6.068
8	-12.518, -14.088, 0.594	-11.975, -15.213, 2.627

START POINTS LIE ON A PLANE OF A BRACKET OF THIS ASSEMBLY.
ALL POINTS ARE REFERENCED FROM (0,0,0) OF COORDINATE SYSTEM
DESIGNATED ON ISO VIEW ON SHEET 1.

PART NUMBER D970564_0970577		DATE 1/98		LIGO CALIFORNIA INSTITUTE OF TECHNOLOGY MASSACHUSETTS INSTITUTE OF TECHNOLOGY	
FILE LOCATION name/rec/occs/0970551.ppt		APPROVALS J. Hazzel		TITLE RECYCLING MIRROR LOS STRUCTURE ASSEMBLY	
SCALE 1/2		SHEET E		REV B	
SHEET 2 OF 3					

1

2

3

4

5

6

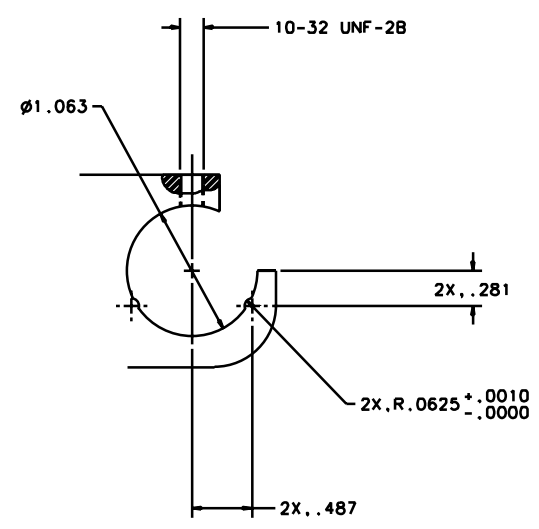
7

8

REV	DATE	DRWN BY	CHECKED	QCC	DESCRIPTION
A	1/18/98	J. Hezel			ED0004/INITIAL RELEASE
B	2/9/98	J. Hezel			ED0011 CHANGE TO NOTE 3 CHANGE TO SECTION A-A



SECTION C-C
FLY CUT DEFINED
IN NOTE ③



VIEW D ②
SCALE 4/1
TYPICAL 6 PLACES

REV	DATE	DRWN BY	CHECKED	QCC	DESCRIPTION
A	1/18/98	J. Hezel			ED0004/INITIAL RELEASE
B	2/9/98	J. Hezel			ED0011 CHANGE TO NOTE 3 CHANGE TO SECTION A-A

REV	DATE	DRWN BY	CHECKED	QCC	DESCRIPTION
A	1/18/98	J. Hezel			ED0004/INITIAL RELEASE
B	2/9/98	J. Hezel			ED0011 CHANGE TO NOTE 3 CHANGE TO SECTION A-A

0.00XX ± 0.03	0.00XX ± 0.005	0.00XX ± 0.005	0.00XX ± 0.005
0.00XX ± 0.005	0.00XX ± 0.005	0.00XX ± 0.005	0.00XX ± 0.005

0970564.D970577	SCALE 1/2	SHEET 3 OF 3
-----------------	-----------	--------------

1

2

3

4

5

6

7

8