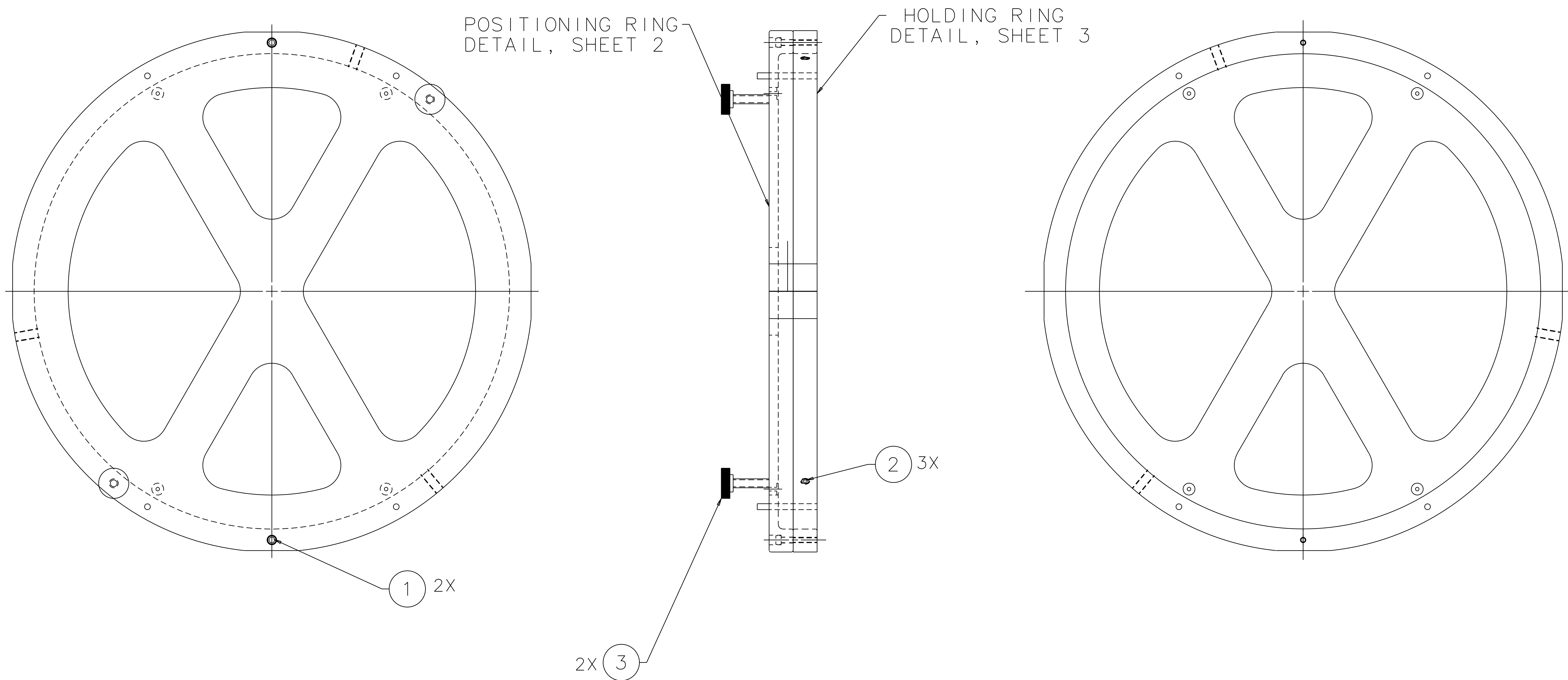


1 2 3 4 5 6 7 8

- NOTES: UNLESS OTHERWISE SPECIFIED
- BREAK ALL SHARP EDGES.
 - ETCH LINES IN POSITION SHOWN, .01 WIDE MAX AND .01 MAX BELOW SURFACE.
 - SPECIFICATIONS FOR THE FABRICATION OF THIS ASSEMBLY ARE DETAILED IN LIGO-E970155, THE LARGE OPTIC SUSPENSION (LOS) FIXTURES AND COMPONENTS FABRICATION SPECIFICATION.

REV	DATE	DRAWN BY	CHECKED	DC	DCN/DESCRIPTION
A	8/14/98	J. Romie			E980220/INITIAL RELEASE



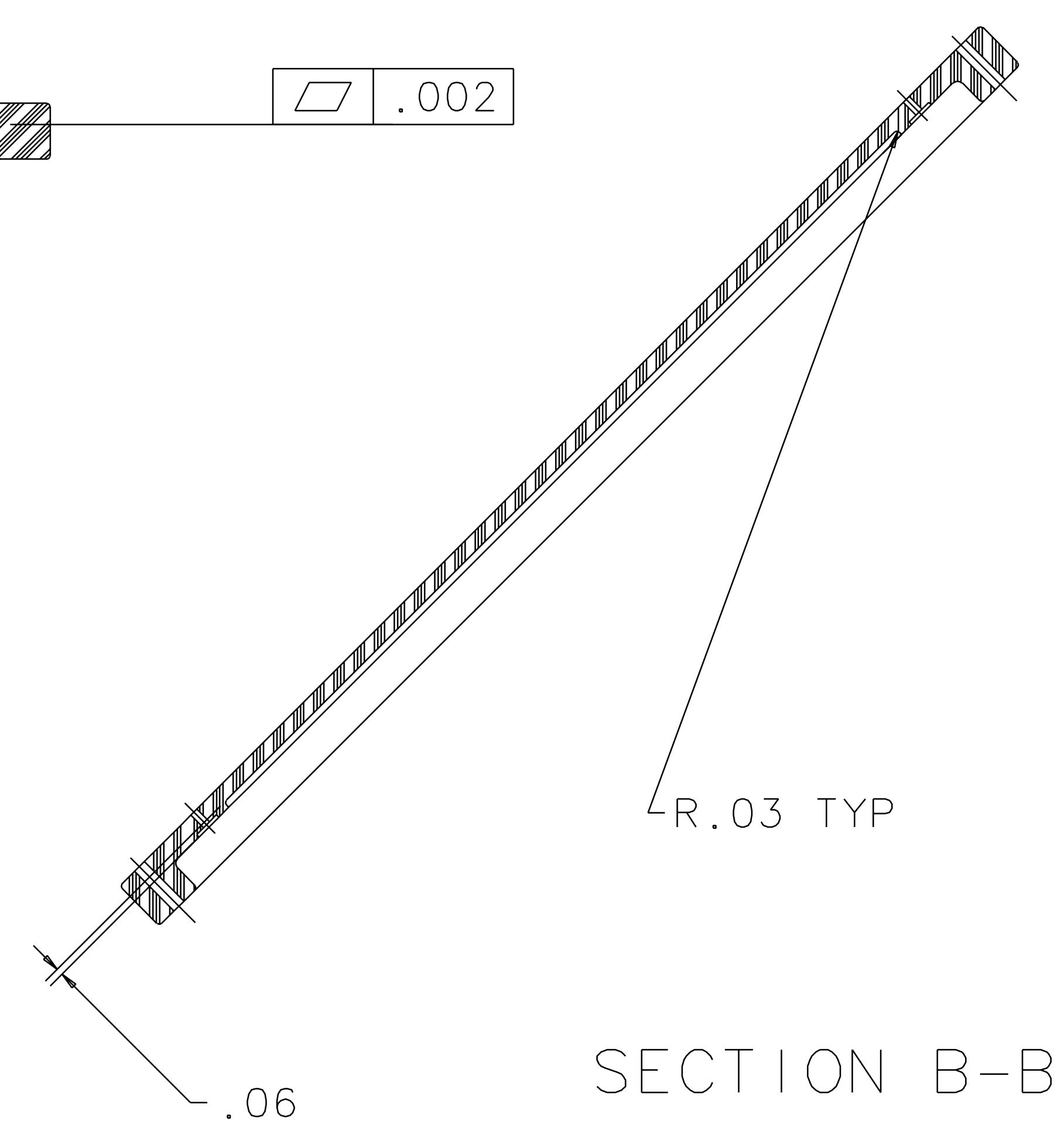
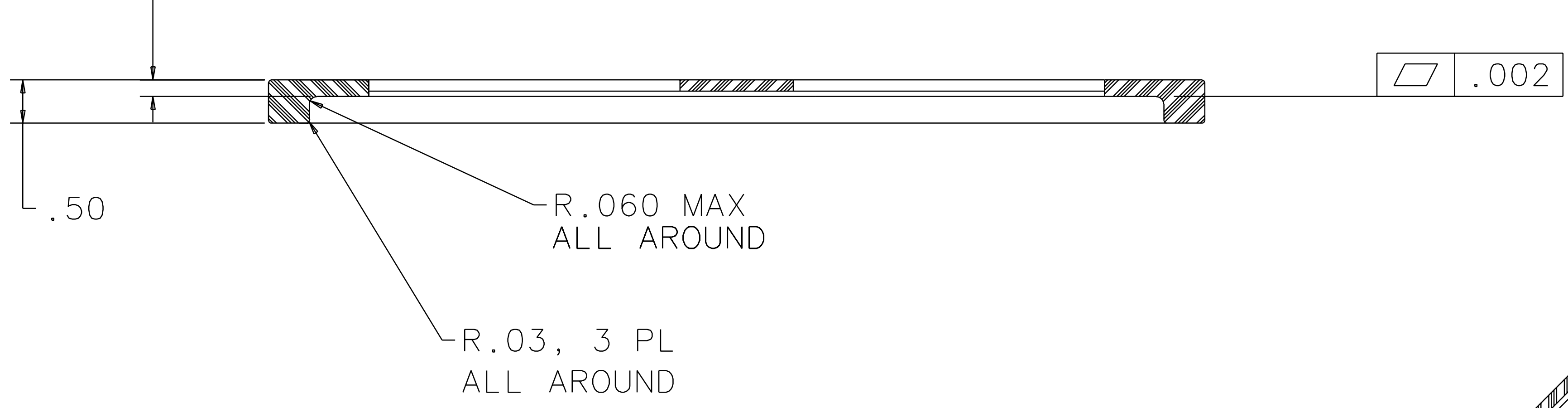
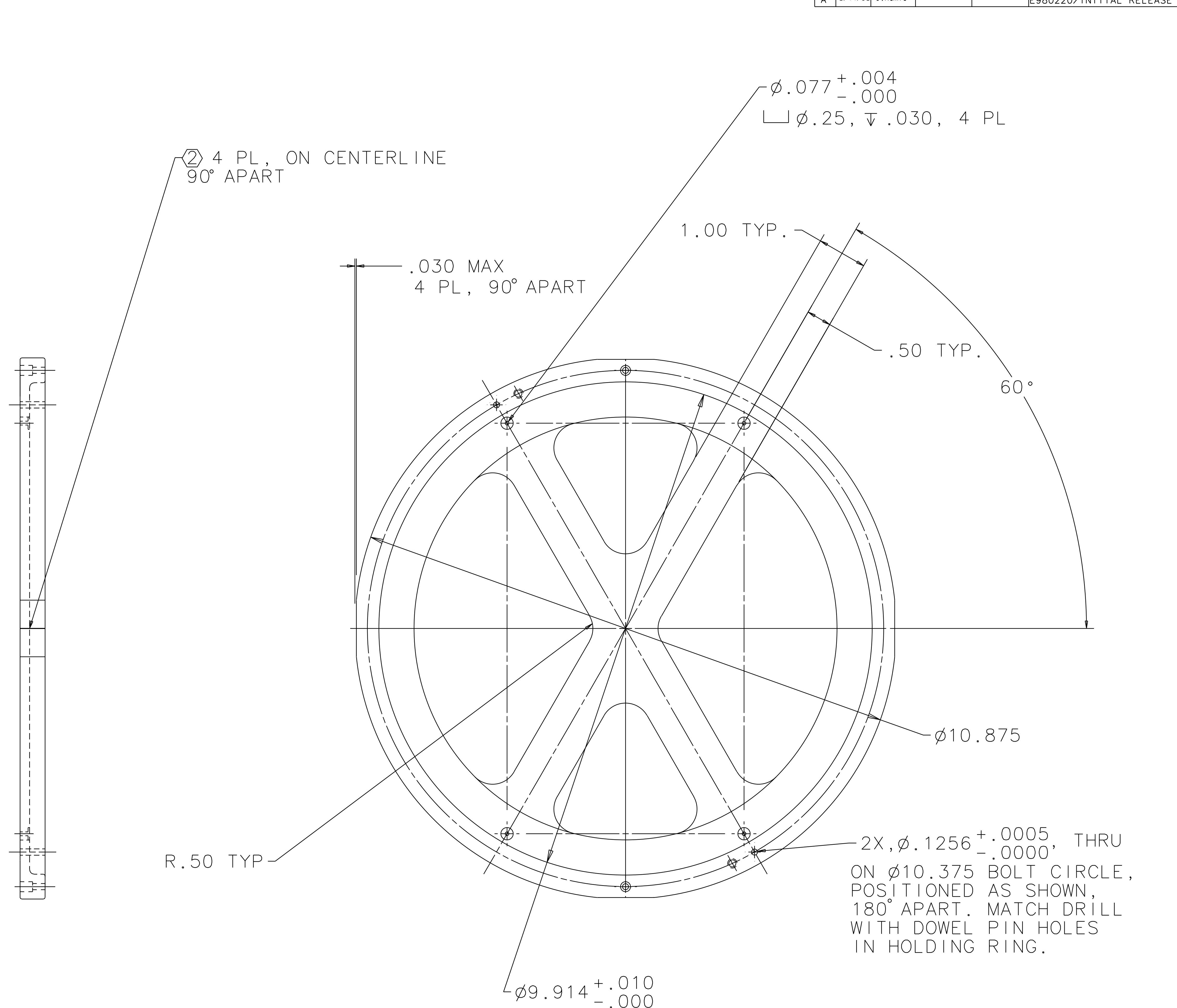
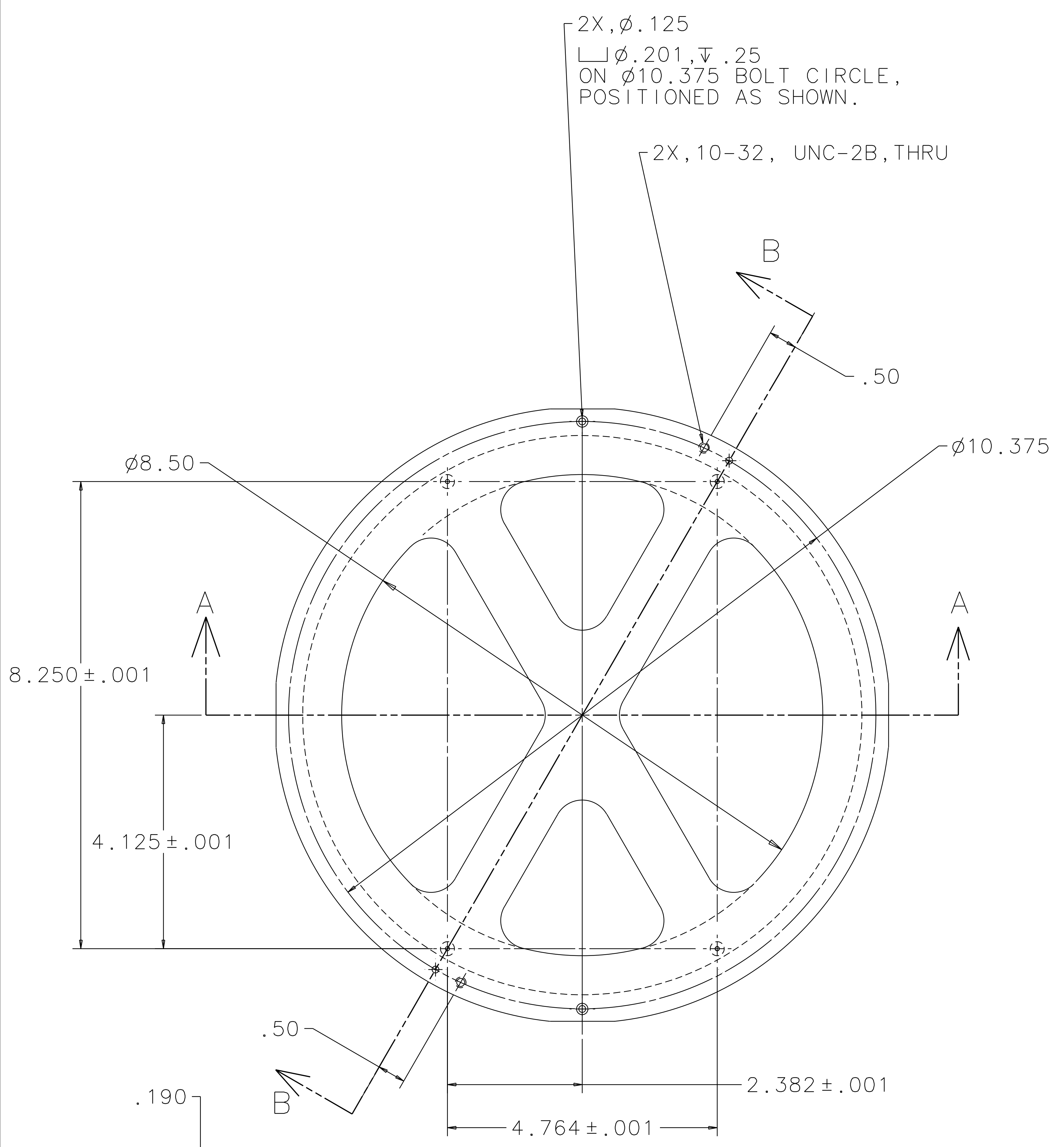
QTY REQ	PART OR IDENTIFYING NO	NOMENCLATURE OR DESCRIPTION	MATERIAL SPECIFICATION	ITEM NO.
2		#10-32 x 1.25 SCREW WITH PRESSED ON PLASTIC KNOB	STEEL	3
3		#10-32 x 1.00 SOC HEAD SET SCREW	TEFLON TIPPED STAINLESS	2
2		#4-40 x .75 SOC HEAD CAP SCREW	STAINLESS	1

UNLESS OTHERWISE SPECIFIED DIMENSIONS ARE IN INCHES		APPROVALS		DATE	LIGO CALIFORNIA INSTITUTE OF TECHNOLOGY MASSACHUSETTS INSTITUTE OF TECHNOLOGY	
TOLERANCES ARE:	FRACTIONS	DECIMALS	ANGLES		DRAWN	TITLE
±	0.XX±0.01	0.XXX±0.005	ANGLES±0.5°	8/98	J. Romie	MAGNET/STANDOFF ASSEMBLY FIXTURE, BEAMSPLITTER
DO NOT SCALE DRAWING				CHECKED		
NEXT ASSEMBLY		MATERIAL		SIZE		
D970505, D970539		DELRIN		E D970552		
FILE LOCATION		FINISH		SCALE		
/home/dcc/docs/D970552.pdf		NONE		1/1		
						REV
						A
						SHEET 1 OF 3

1 2 3 4 5 6 7 8

1 2 3 4 5 6 7 8

REV	DATE	DRAWN BY	CHECKED	DCC	DCN/DESCRIPTION
A	8/14/98	J. Romie			E980220/INITIAL RELEASE



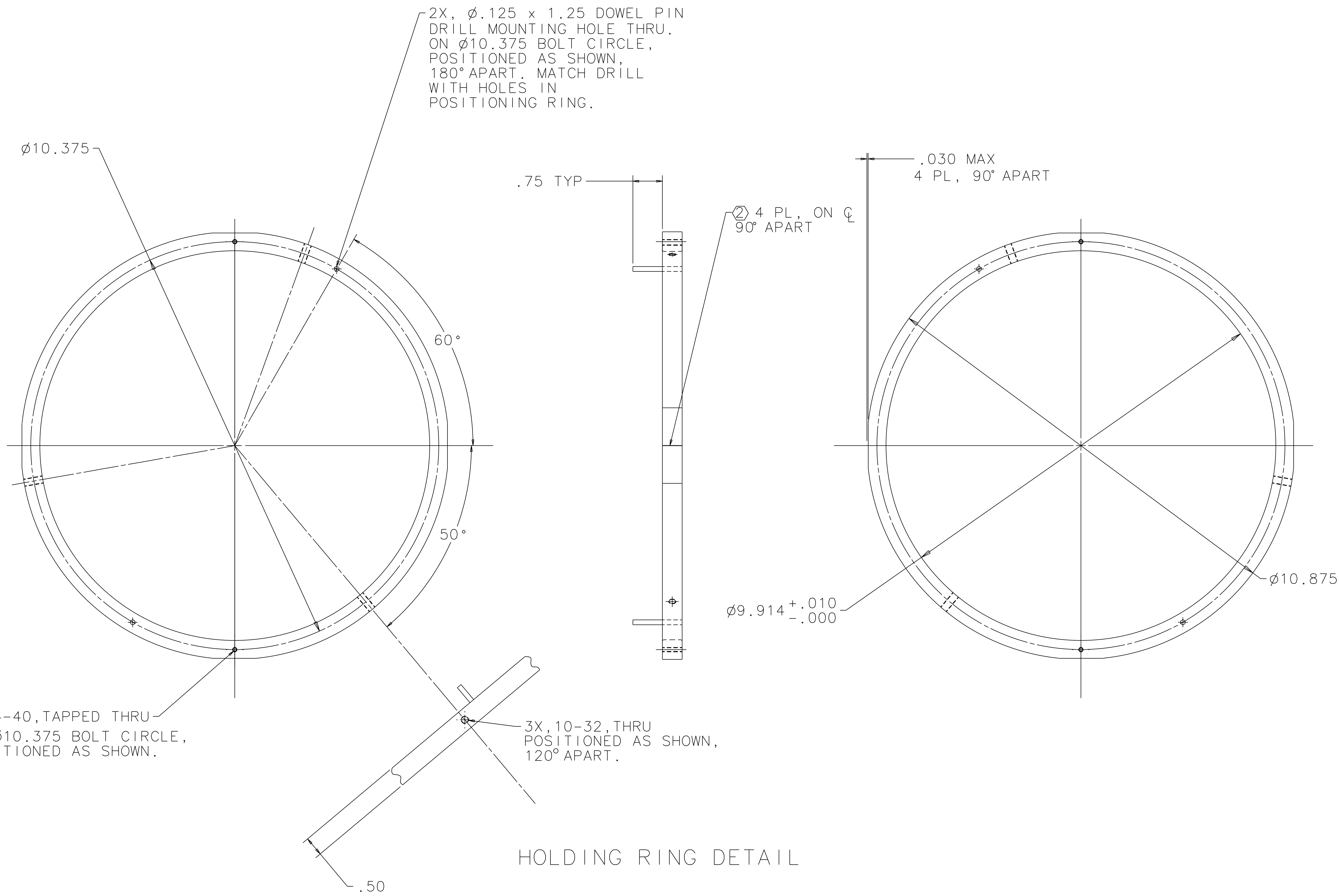
POSITIONING RING DETAIL

QTY REQ	PART OR IDENTIFYING NO	NOMENCLATURE OR DESCRIPTION	MATERIAL SPECIFICATION	ITEM NO.
UNLESS OTHERWISE SPECIFIED DIMENSIONS ARE IN INCHES				
TOLERANCES ARE:				
FRACTIONS	DECIMALS	ANGLES		
	0.XX \pm 0.01			
	0.XXX \pm 0.005			
		ANGLES \pm 0.5°		
DO NOT SCALE DRAWING				
NEXT ASSEMBLY		MATERIAL		
D970505, D970539				
FILE LOCATION		FINISH		
/home/dcc/docs/D970552.pdf				
APPROVALS		DATE	TITLE	
J. Romie		8/98	LIGO CALIFORNIA INSTITUTE OF TECHNOLOGY MASSACHUSETTS INSTITUTE OF TECHNOLOGY	
CHECKED			MAGNET/STANDOFF ASSEMBLY FIXTURE, BEAMSPLITTER	
			SIZE E D970552	
			SCALE 1/1	
			REV A	
			SHEET 2 OF 3	

1 2 3 4 5 6 7 8

1 2 3 4 5 6 7 8

REV	DATE	DRAWN BY	CHECKED	DCC	DCN/DESCRIPTION
A	8/14/98	J. Romie			E980220/INITIAL RELEASE



UNLESS OTHERWISE SPECIFIED DIMENSIONS ARE IN INCHES TOLERANCES ARE: FRACTIONS DECIMALS ANGLES 0.XX \pm 0.01 0.XXX \pm 0.005 ANGLES \pm 0.5° DO NOT SCALE DRAWING	APPROVALS	DATE	TITLE
	J. Romie	8/98	MAGNET/STANDOFF ASSEMBLY FIXTURE, BEAMSPLITTER
NEXT ASSEMBLY D970505, D970539	MATERIAL	SCALE	1/1
FILE LOCATION /home/dcc/docs/D970552.pdf	FINISH	SIZE	E
		REV	A
		SHEET	3 OF 3

1 2 3 4 5 6 7 8