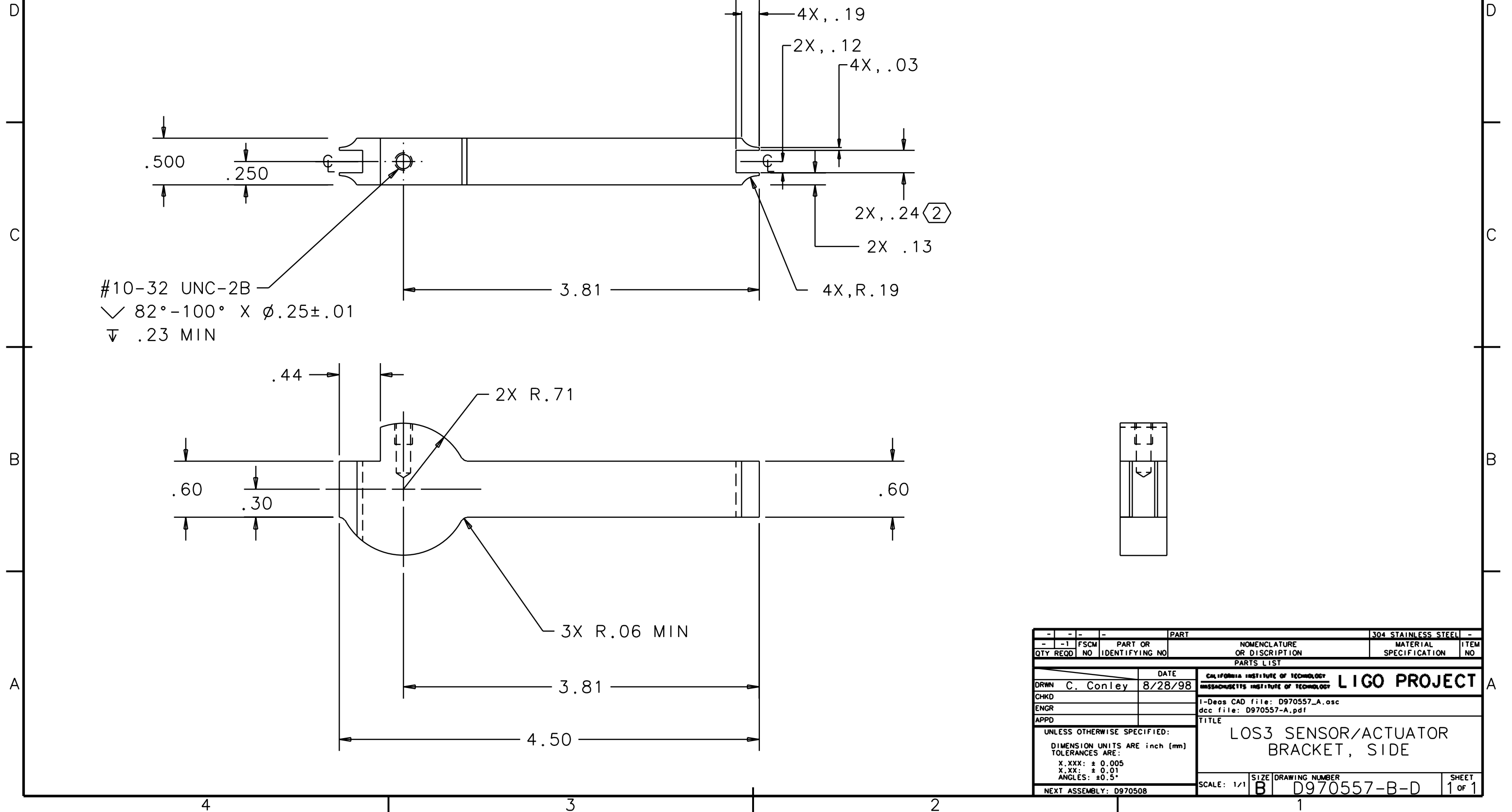


NOTES: (UNLESS OTHERWISE SPECIFIED)  
 1. BREAK ALL SHARP EDGES.

2. CHAMFER INSIDE SLOT AS REQUIRED FOR WELDING ON NEXT ASSEMBLY.

REV	DATE	DRAWN BY	CHECKED	DCC	DCN/DESCRIPTION
A	8/28/98	C. Conley			E980218-00/INITIAL RELEASE
B	12/14/01	J. Romie			E010369/ADD J PREP



#10-32 UNC-2B  
 82°-100° X  $\phi$ .25±.01  
 .23 MIN

QTY REQD	FSCM NO	PART OR IDENTIFYING NO	PART	NOMENCLATURE OR DISCUSSION	MATERIAL SPECIFICATION	ITEM NO
-	-	-	-	-	304 STAINLESS STEEL	-
PARTS LIST						
DRWN	C. Conley	DATE	8/28/98	CALIFORNIA INSTITUTE OF TECHNOLOGY MASSACHUSETTS INSTITUTE OF TECHNOLOGY		
CHKD				LIGO PROJECT		
ENGR				1-Deas CAD file: D970557_A.asc dcc file: D970557-A.pdf		
APPD				TITLE		
UNLESS OTHERWISE SPECIFIED:				LOS3 SENSOR/ACTUATOR BRACKET, SIDE		
DIMENSION UNITS ARE inch (mm)				SCALE: 1/1		
TOLERANCES ARE:				SIZE DRAWING NUMBER		
X.XXX: ± 0.005				B D970557-B-D		
X.XX: ± 0.01				SHEET		
ANGLES: ± 0.5°				1 of 1		
NEXT ASSEMBLY: D970508						