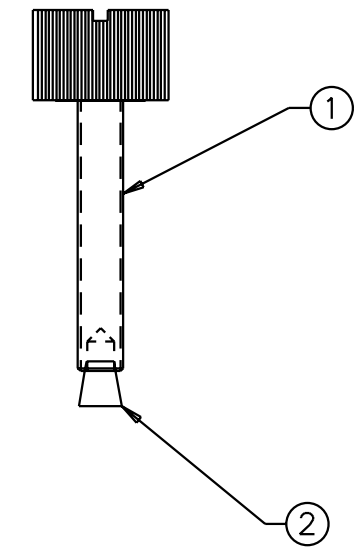
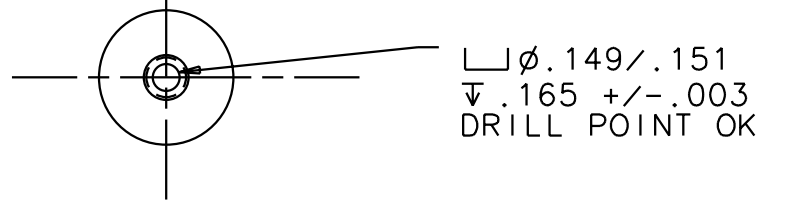
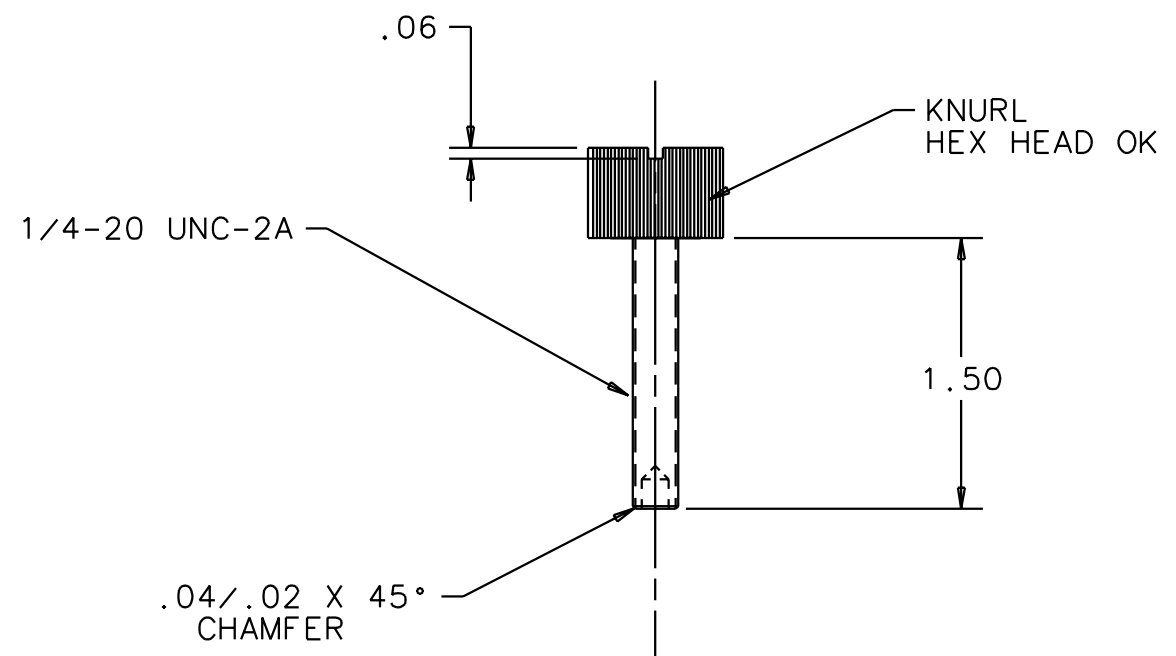
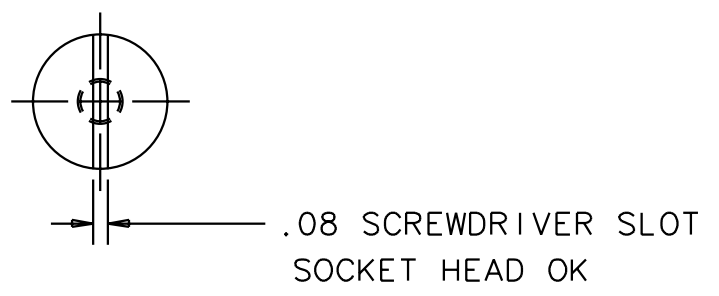


REV	DATE	DRAWN BY	CHECKED	DCC	DCN/DESCRIPTION
A	2/09/01	J. Romie			E010026/INITIAL RELEASE

NOTES: (UNLESS OTHERWISE SPECIFIED)  
 1. DIMENSIONS IN INCHES.  
 2. BREAK ALL SHARP EDGES.  
 3. WEDGE ITEM 2 INTO COUNTERBORE OF ITEM 1 UNTIL FIRMLY LODGED IN PLACE.



SCREW DETAIL  
 ITEM 1

QTY REQD	PART OR IDENTIFYING NO	NOMENCLATURE OR DESCRIPTION	MATERIAL SPECIFICATION	ITEM NO
1	D990148	FLUOREL TIP, 1/4-20	FLUOREL	2
1		SCREW DETAIL	SILVER PLATED STAINLESS	1

PARTS LIST			
UNLESS OTHERWISE SPECIFIED DIMENSIONS ARE IN INCHES TOLERANCES ARE:	APPROVALS	DATE	LIGO CALIFORNIA INSTITUTE OF TECHNOLOGY MASSACHUSETTS INSTITUTE OF TECHNOLOGY
	DRAWN J. Hazel	5/96	
FRACTIONS DECIMALS ANGLES 0.XX=±0.01 0.XXX=±0.005 ANGLES=±0.5° DO NOT SCALE DRAWING	CHECKED		TITLE BEAMSPLITTER SAFETY STOP
NEXT ASSEMBLY D970505, D970539	MATERIAL SEE NOTE		DWG NO. D970563
FILE LOCATION /home/dcc/docs/D970563.pdf	FINISH SEE NOTE		REV A
		SCALE 1/1	SHEET 1 OF 1