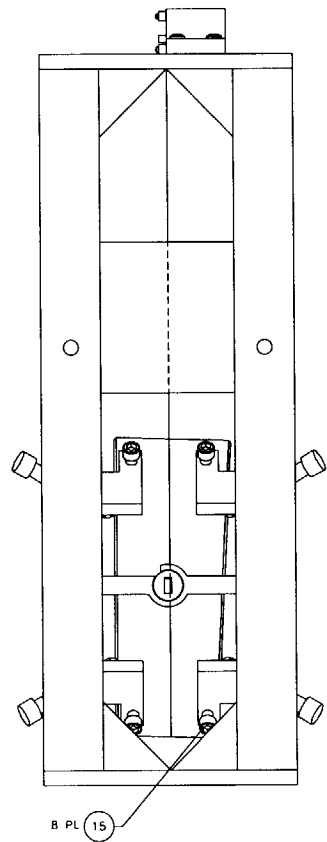
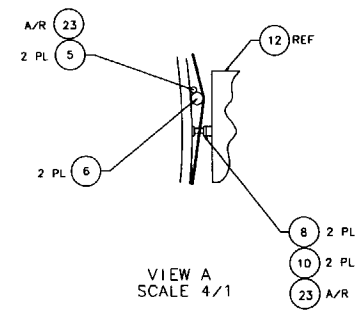
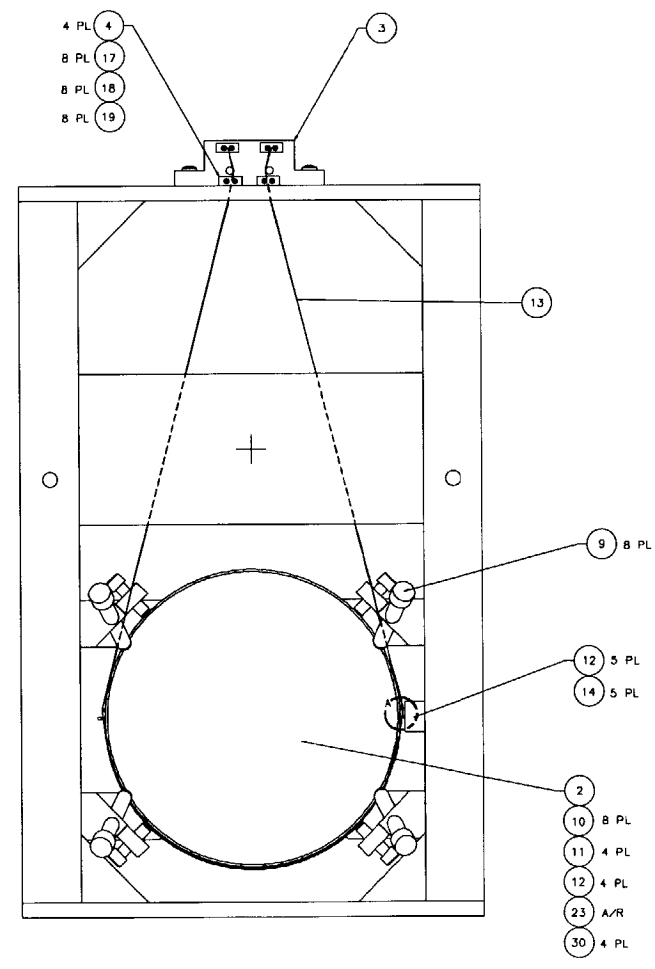
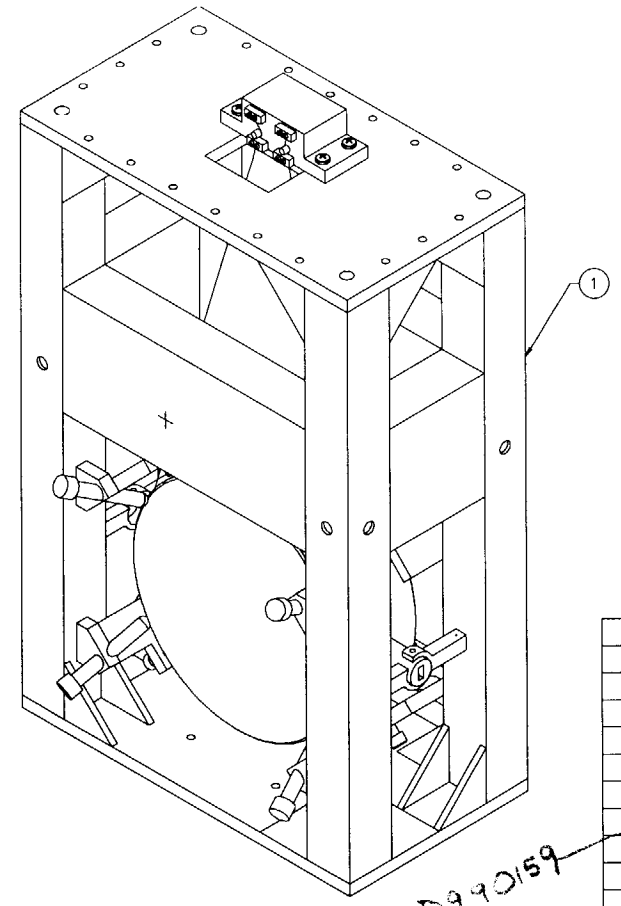
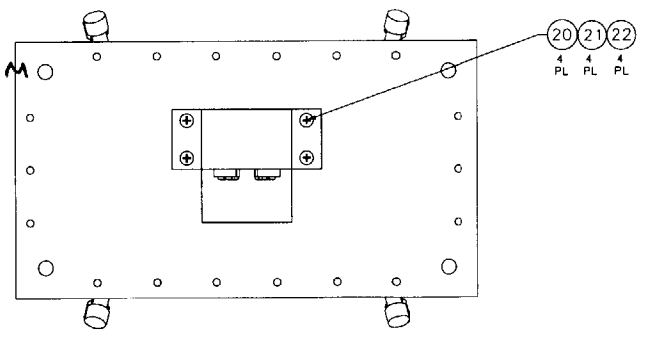


NOTES: (UNLESS OTHERWISE SPECIFIED)
 1. SPECIFICATIONS FOR THE CONSTRUCTION OF THIS ASSEMBLY ARE COVERED IN THE LARGE OPTIC SUSPENSION BALANCING SPECIFICATION, LIGO E970154.
 ② MATERIAL: CONDUCTIVE TEFLON, MANUF. BY FURON DIXON, 386 METACOM AVE., BRISTOL, RI, 02809, (401)253-2000, AND DESIGNATED BY THE NAME FURON DIXON COMPOUND 1042.
 ③ HEIGHT ADAPTER IS NOT SHOWN FOR CLARITY. IT IS BOLTED TO THE TOP OF THE LOS STRUCTURE ASSEMBLY USING THE HARDWARE ITEM NOS. 25-28. INSTRUCTIONS INCLUDED IN LIGO E970154.



D990198 SIDE BLOCKS, RM

ITEM NO.	DESCRIPTION	QTY	UNIT	REMARKS
D970180	WINCH FIXTURE	41		
		40		
D970074	FIXTURE, MAGNET-TO-DUMBBELL STANDOFF	39		
		38		
D960752	FIXTURE, OPTICAL LEVELER	37		
D960753	FIXTURE, WIRE AND OPTICS	36		
D970568	FIXTURE, GUIDE ROD, RM, 4K	35		
D960050	FIXTURE, MAGNET/STANDOFF	34		
D970169	MAGNET STRENGTH FIXTURE	33		
D970616	COIL STRENGTH FIXTURE	32		
		31		
D970615	PAM SCREW	30		
		29		
18	1/4-20 x 1.5 LG SHCS	28	STAINLESS, Ag PLTD	
18	1/4-20 LOCK WASHER	27	STAINLESS, Ag PLTD	
18	1/4-20 FLAT WASHER	26	STAINLESS, Ag PLTD	
18 1/2	VC COMP N-2520-A	25	STAINLESS, Ag PLTD	
1	D970571	HEIGHT ADAPTER, RM, 4K	24	
A/R	EPOXY, VAC-SEAL	23		
4	COMMERCIAL EQUIV MSB2041BL	22	WASHER, FLAT, #1/4	STAINLESS
4	COMMERCIAL EQUIV MS3533B-139	21	WASHER, SPLIT LOCK, #1/4	STAINLESS
4	U-C COMPONENTS P/N C-2016-NA	20	SCREW, SHCS, 1/4-20 x 1.00	STAINLESS, Ag PLTD
8	COMMERCIAL EQUIV MSB20C4L	19	WASHER, FLAT, #1	STAINLESS
8	COMMERCIAL EQUIV MS3533B-135	18	WASHER, SPLIT LOCK, #1	STAINLESS
8	U-C COMPONENTS P/N C-202-NA	17	SCREW, SHCS, 4-40 x 1.50	STAINLESS, Ag PLTD
8	D990690	16	SCREW, HEX HEAD, 3/8-16 x 1.50	
6	U-C COMPONENTS P/N T-1003-NA	14	SET SCREW, SOCKET, 10-32 x .188	STAINLESS, Ag PLTD
A/R	WIRE, 0.0120"-.0003"	13		MUSIC WIRE
5	D960138	12		SENSOR/ACTUATOR HEAD ASSEMBLY
4	D970075	11		DUMBBELL STANDOFF
10	D960501	10		MAGNET
8	D960499	9		LOS CHAMFER STOP
2	D970567	8		RECYCLING MIRROR SIDE STANDOFF
		7		
2	D970565	6		RECYCLING MIRROR WIRE STANDOFF
1	D970566	5		RECYCLING MIRROR GUIDE ROD
4	D960134	4		LOS CLAMP, SUSPENSION BLOCK
1	D960144	3		LOS SUSPENSION BLOCK
1	COATING SPEC E980070	2		OPTIC, 025cm x 10cm THICK
1	D970551	1		RECYCLING MIRROR LOS STRUCTURE ASSEMBLY

APPROVALS: [Signature] DATE: 5/96
 TITLE: LARGE OPTIC SUSPENSION ASSEMBLY (LOS1c) FOR RECYCLING MIRROR, 4K (RM, 4K)
 PARTS LIST: LIGO CALIFORNIA INSTITUTE OF TECHNOLOGY MASSACHUSETTS INSTITUTE OF TECHNOLOGY
 MATERIAL: N/A
 FINISH: N/A
 SCALE: 1/2
 SHEET: 1 OF 1

REDLINE