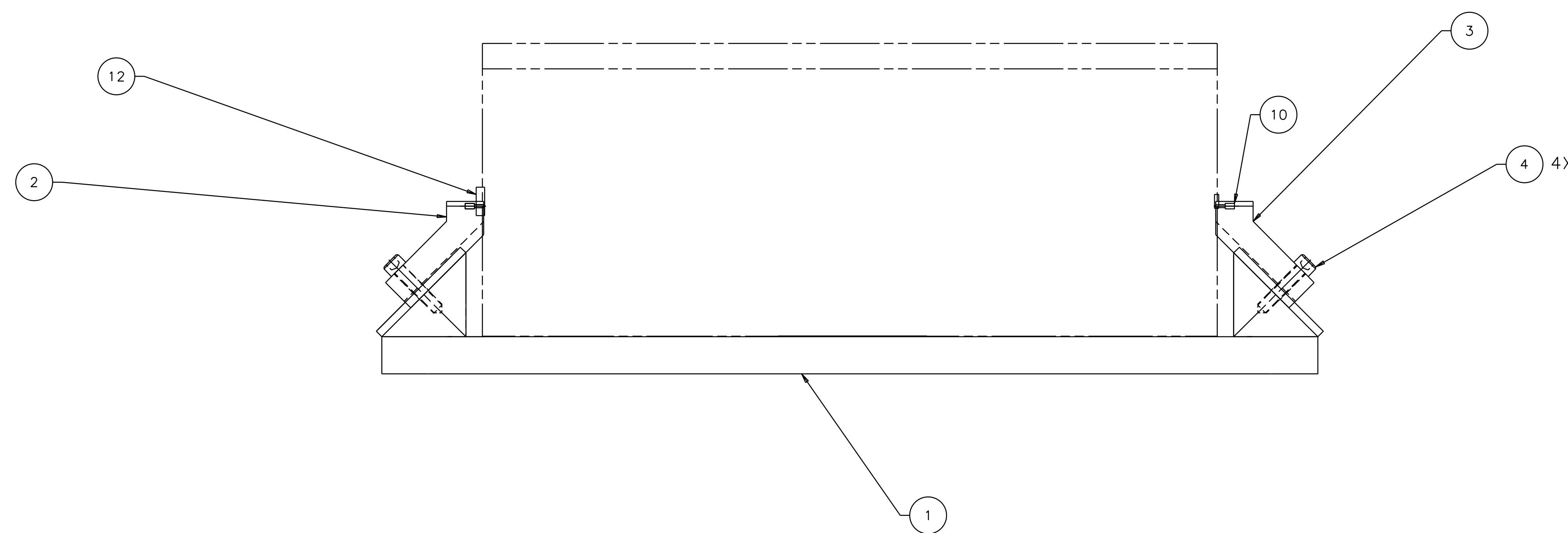
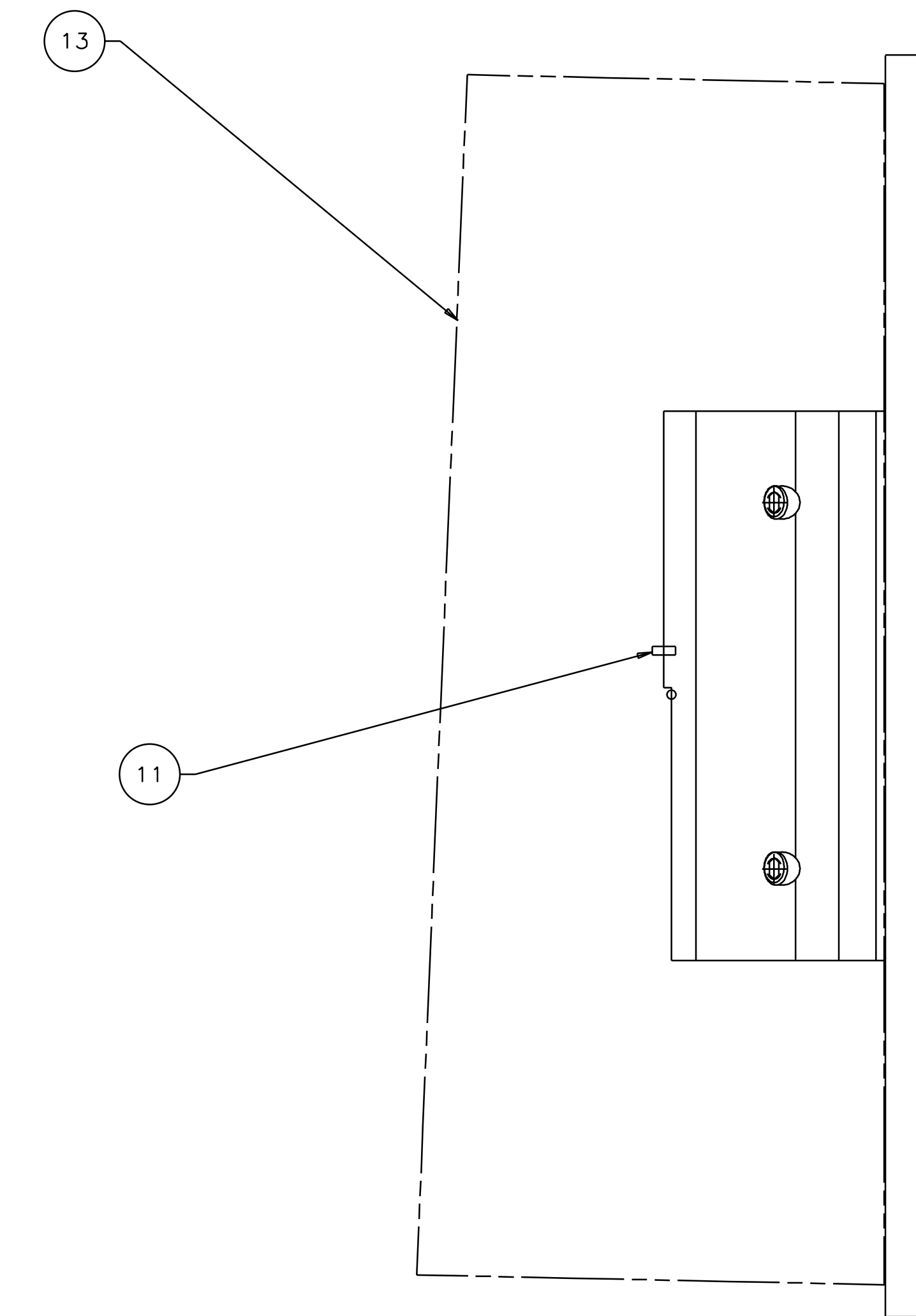
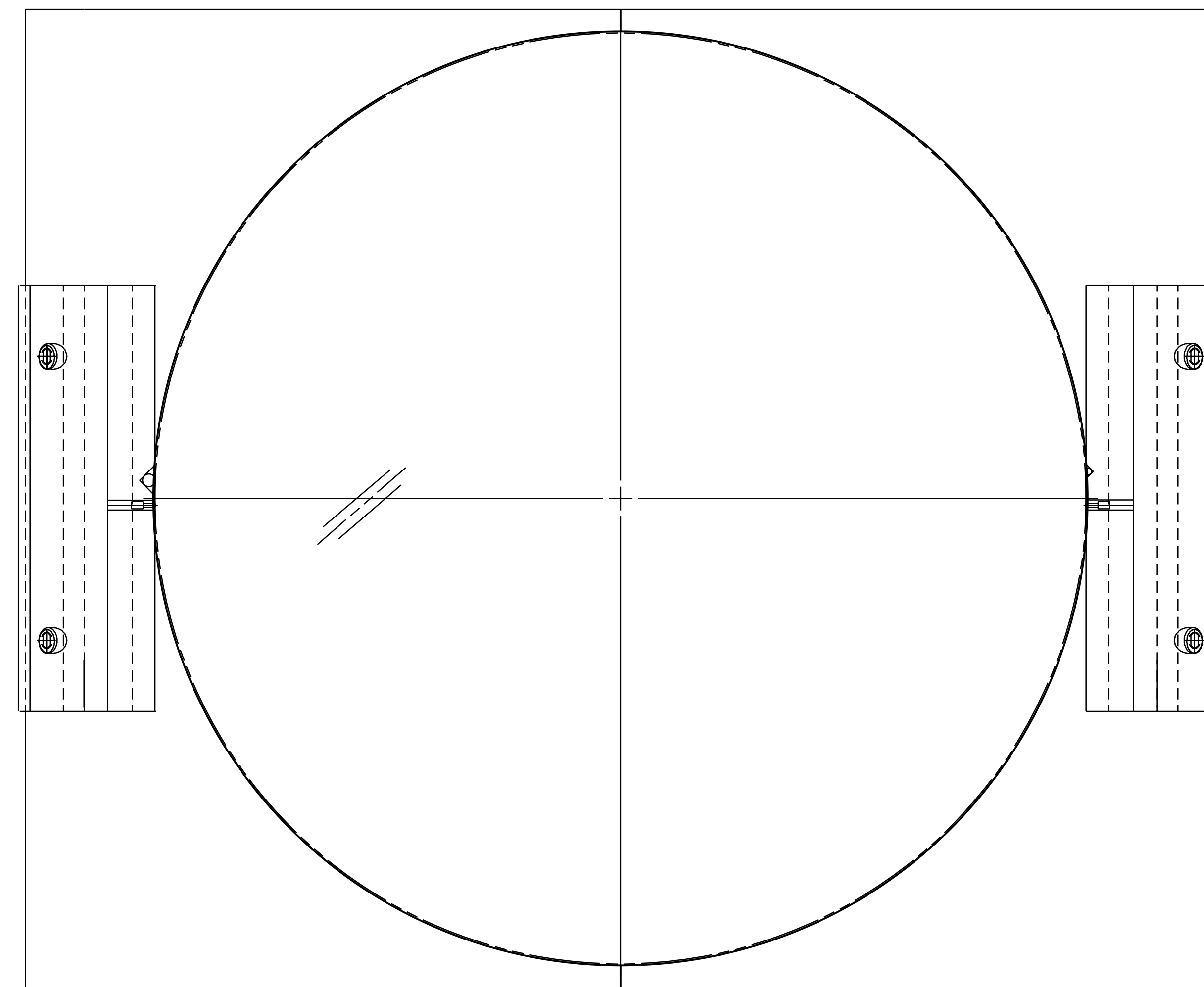


1 2 3 4 5 6 7 8

REV	DATE	DRAWN BY	CHECKED	DCC	DCN/DESCRIPTION
A	8-14-98	J. Romie			E980220/INITIAL RELEASE
B	9-10-98	J. Romie			E980246/DOVE TAIL CHANGE

- NOTES: (UNLESS OTHERWISE SPECIFIED)
1. THIS FIXTURE IS TO BE USED WITH AN OPTIC THAT IS $\phi 9.84"$ X $3.94"$ THICK ($\phi 25\text{cm}$ X 10cm THICK) THICK-SIDE-DOWN ORIENTED WEDGE. CLOSE SLIP FIT.
 2. THE RIGHT BLOCK, TOP IS USED TO MOUNT THE GUIDE ROD AND THE LEFT BLOCK, TOP IS USED TO MOUNT THE WIRE STANDOFF.
 3. USE OF THIS FIXTURE IS COVERED IN LIGO-E970154.
 4. SPECIFICATIONS COVERING THE FABRICATION OF THIS ASSEMBLY ARE DETAILED IN LIGO-E970155, THE LARGE OPTIC SUSPENSION (LOS) FIXTURES AND COMPONENTS FABRICATION SPECIFICATION.



REF	QTY REQ	PART OR IDENTIFYING NO	NOMENCLATURE OR DESCRIPTION	MATERIAL SPECIFICATION	ITEM NO
			OPTIC, RECYCLING MIRROR		13
			WIRE STANDOFF		12
			GUIDE ROD		11
			MAGNET/STANDOFF ASSEMBLY		10
					9
					8
					7
					6
					5
					4
			SCREW, SHCS, #8-32 x .75	STAINLESS STEEL	4
			RIGHT BLOCK, TOP		3
			LEFT BLOCK, TOP		2
			BASE PLATE		1

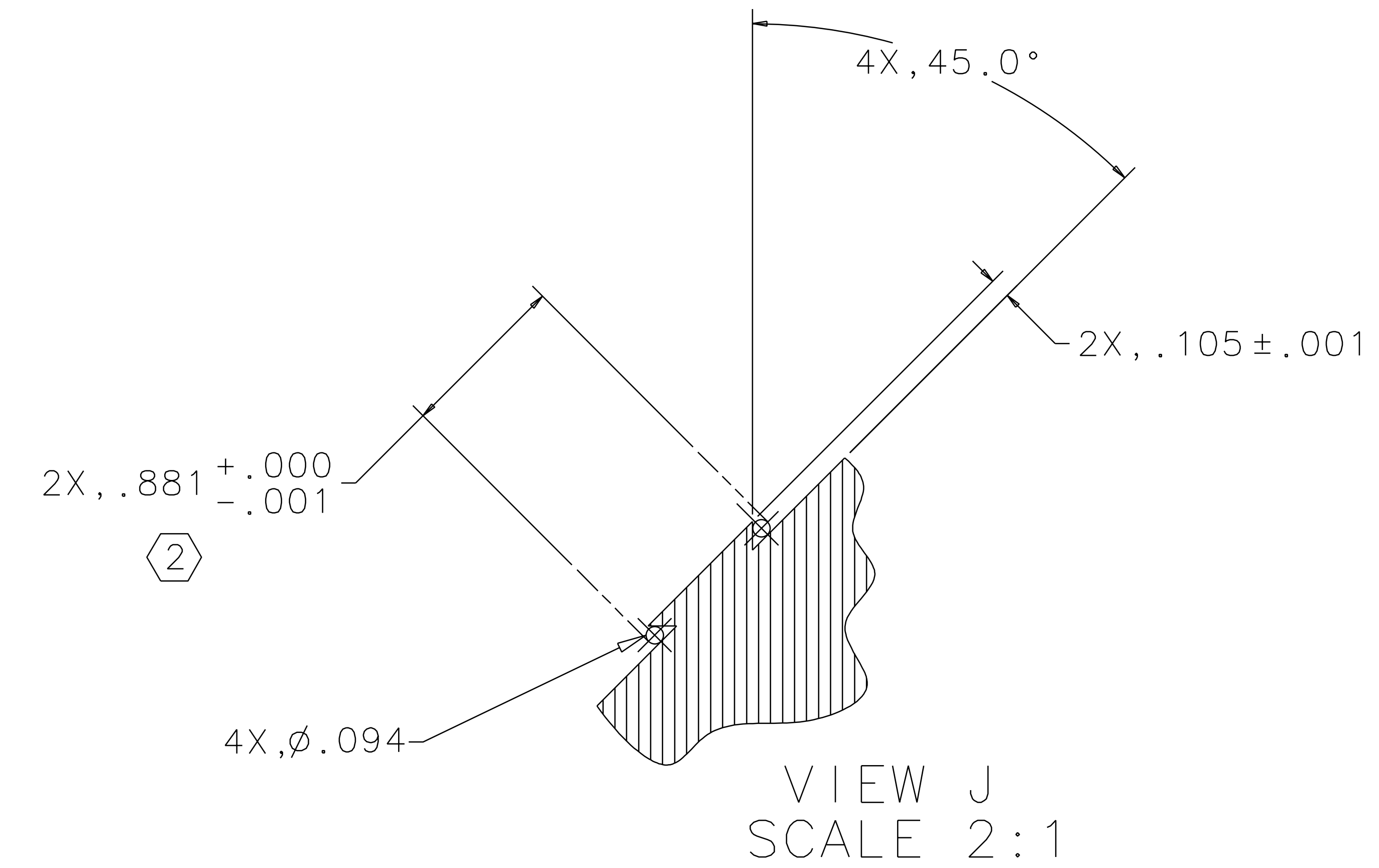
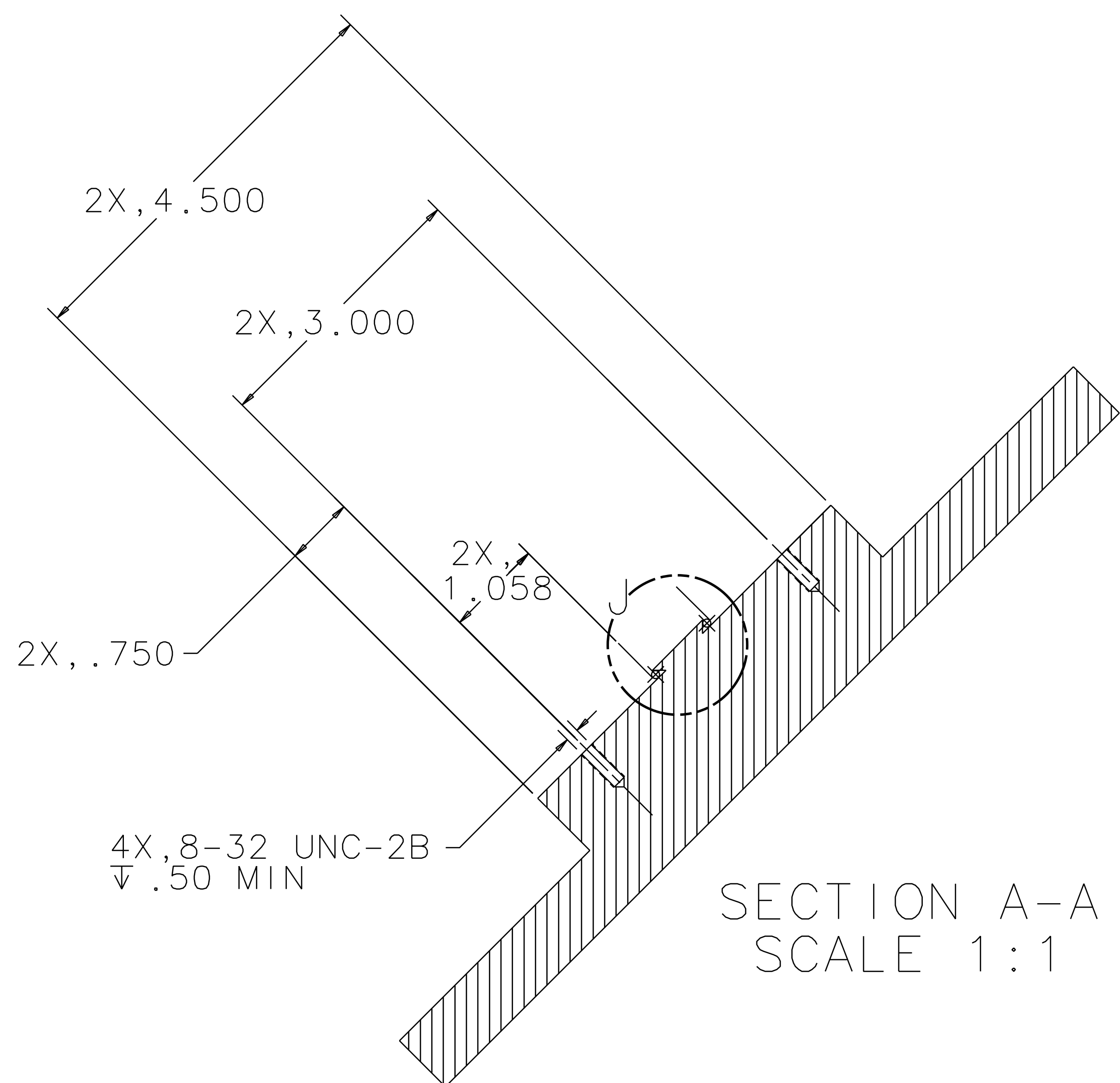
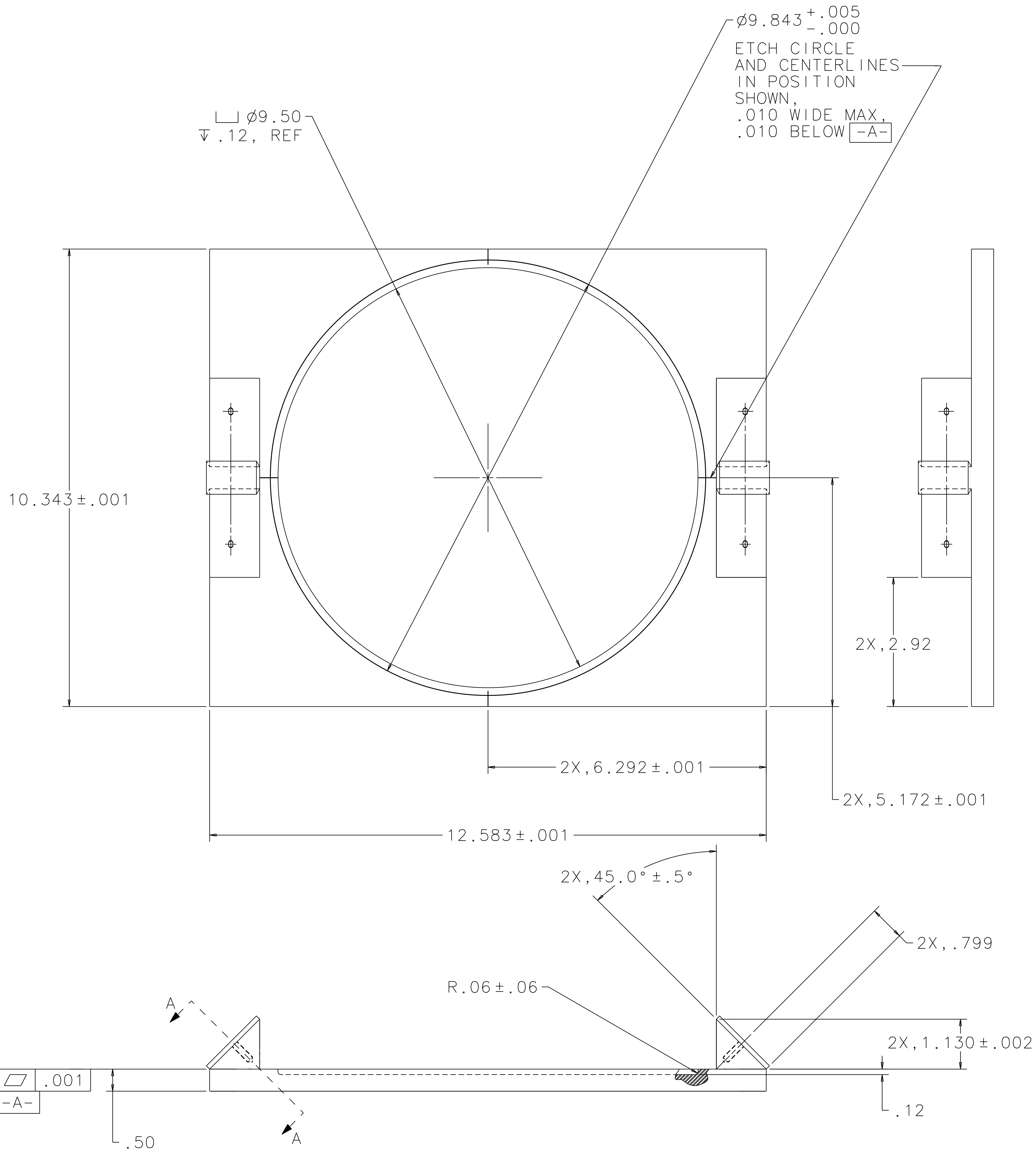
UNLESS OTHERWISE SPECIFIED DIMENSIONS ARE IN INCHES		APPROVALS		DATE	LIGO CALIFORNIA INSTITUTE OF TECHNOLOGY MASSACHUSETTS INSTITUTE OF TECHNOLOGY	
TOLERANCES ARE:	DECIMALS	ANGLES	DATE	DATE	TITLE	
0. XX±0.01			8/98	8/98	GUIDE ROD FIXTURE, RECYCLING MIRRORS	REV B
0. XXX±0.005						SIZE E D970568
ANGLES±0.5°						SCALE NONE
DO NOT SCALE DRAWING						SHEET 1 OF 3

NEXT ASSEMBLY
D970564, D970577
FILE LOCATION
/home/dcc/docs/D970568.pdf

1 2 3 4 5 6 7 8

1 2 3 4 5 6 7 8

REV	DATE	DRAWN BY	CHECKED	DCC	DCN/DESCRIPTION
A	8-14-98	J. Romie			E980220/INITIAL RELEASE
B	9-10-98	J. Romie			E980246/DOVE TAIL CHANGE



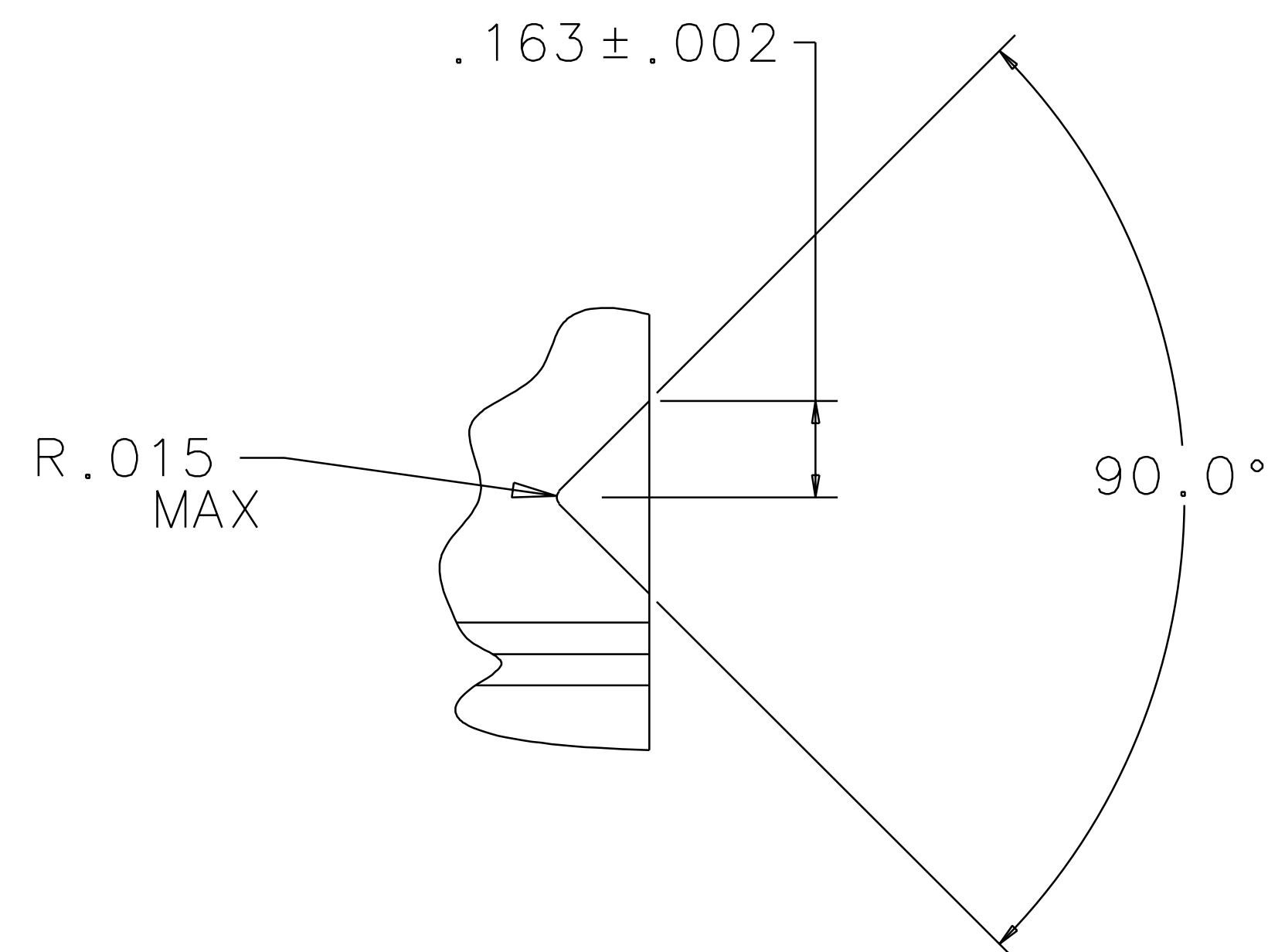
BASE PLATE
MATERIAL: 6061-T6 ALUM

QTY REQD	PART OR IDENTIFYING NO	NOMENCLATURE OR DESCRIPTION	MATERIAL SPECIFICATION	ITEM NO.
UNLESS OTHERWISE SPECIFIED DIMENSIONS ARE IN INCHES				
TOLERANCES ARE:				
FRACTIONS	DECIMALS	ANGLES		
0.XX \pm 0.01	0.XXX \pm 0.005	ANGLES \pm 0.5 $^\circ$		
DO NOT SCALE DRAWING				
APPROVALS		DATE	LIGO CALIFORNIA INSTITUTE OF TECHNOLOGY MASSACHUSETTS INSTITUTE OF TECHNOLOGY	
DRAWN J. Romie		8/98	TITLE GUIDE ROD FIXTURE, RECYCLING MIRRORS	
CHECKED			SIZE E D970568	
MATERIAL			SCALE 1/1	
FINISH			SHEET 2 OF 3	

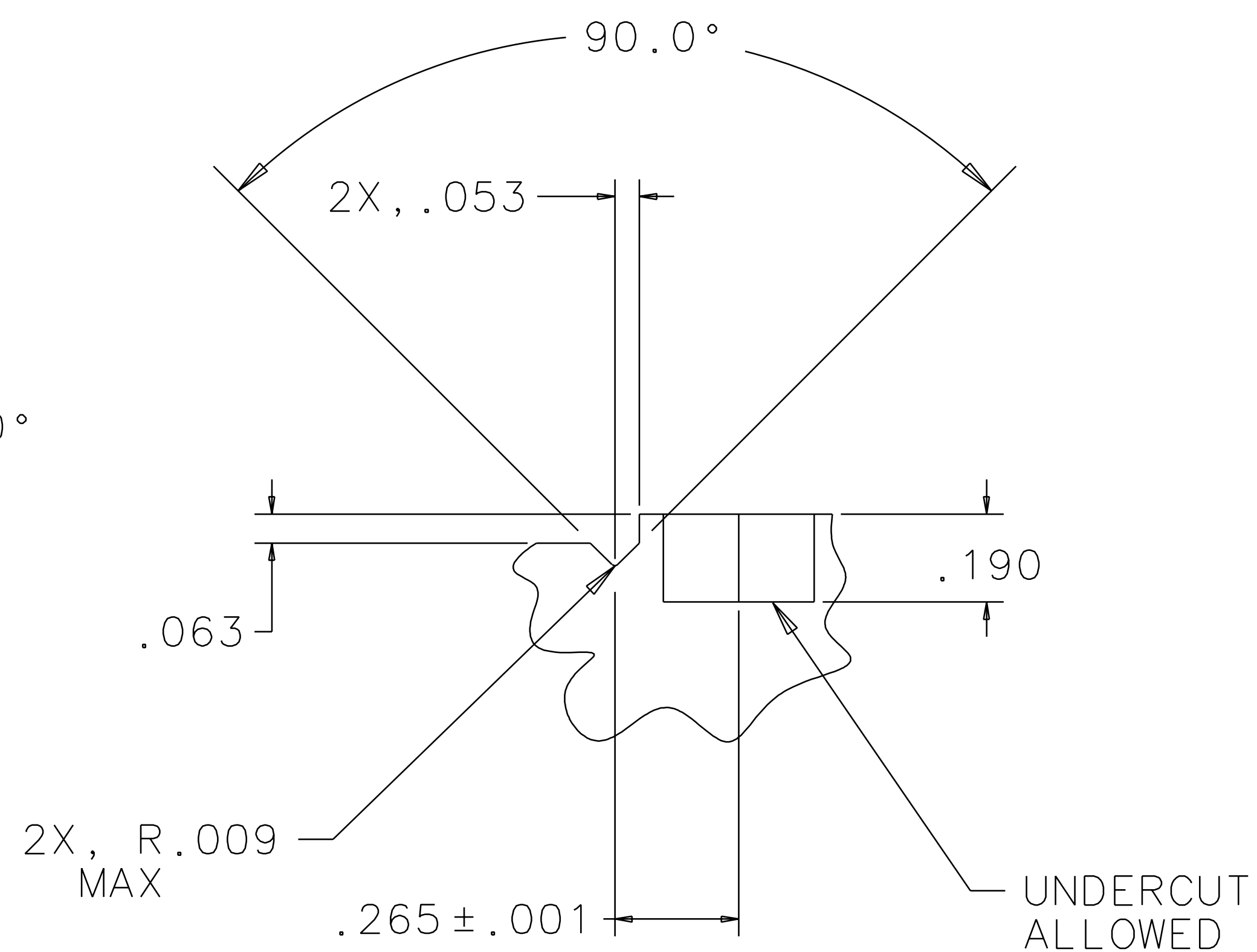
1 2 3 4 5 6 7 8

1 2 3 4 5 6 7 8

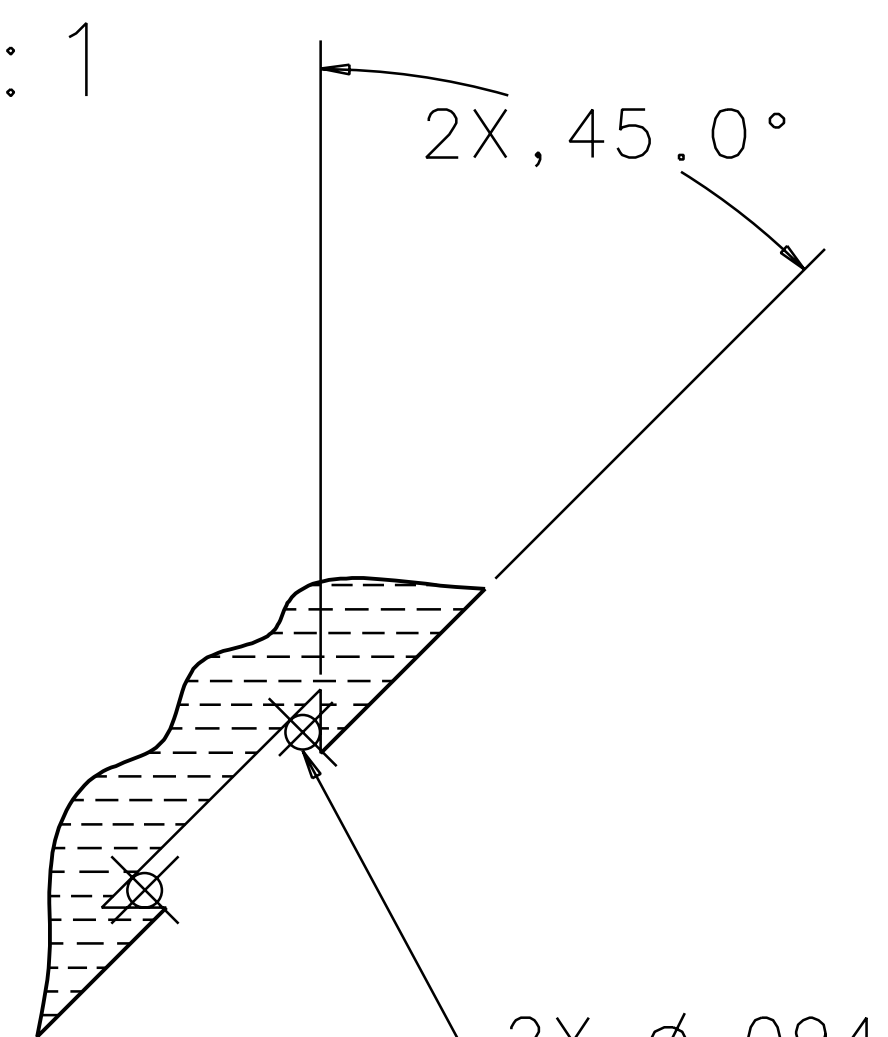
REV	DATE	DRAWN BY	CHECKED	DCC	DCN/DESCRIPTION
A	8-14-98	J. Romie			E980220/INITIAL RELEASE
B	9-10-98	J. Romie			E980246/DOVE TAIL CHANGE



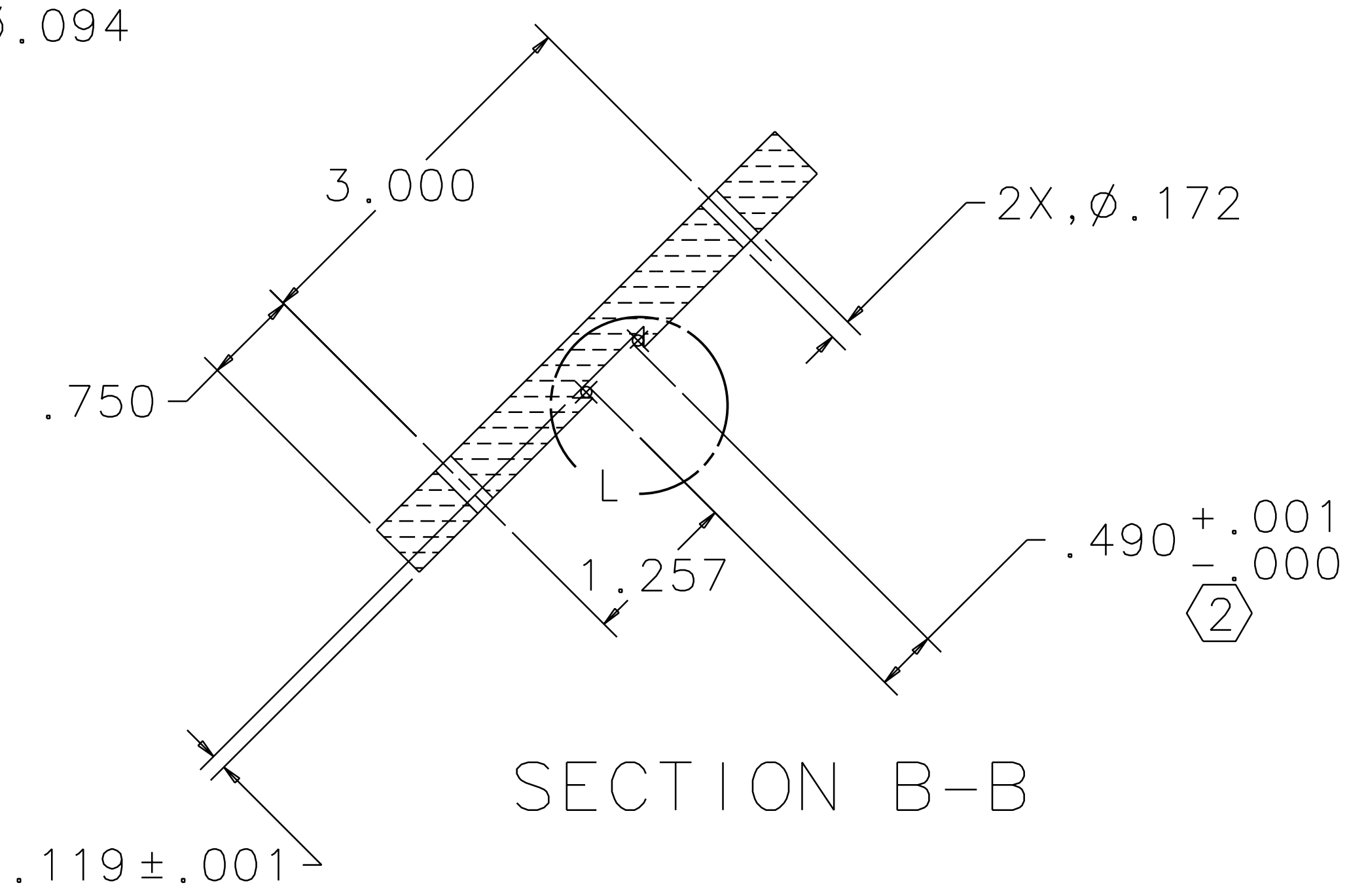
VIEW C
SCALE 4:1



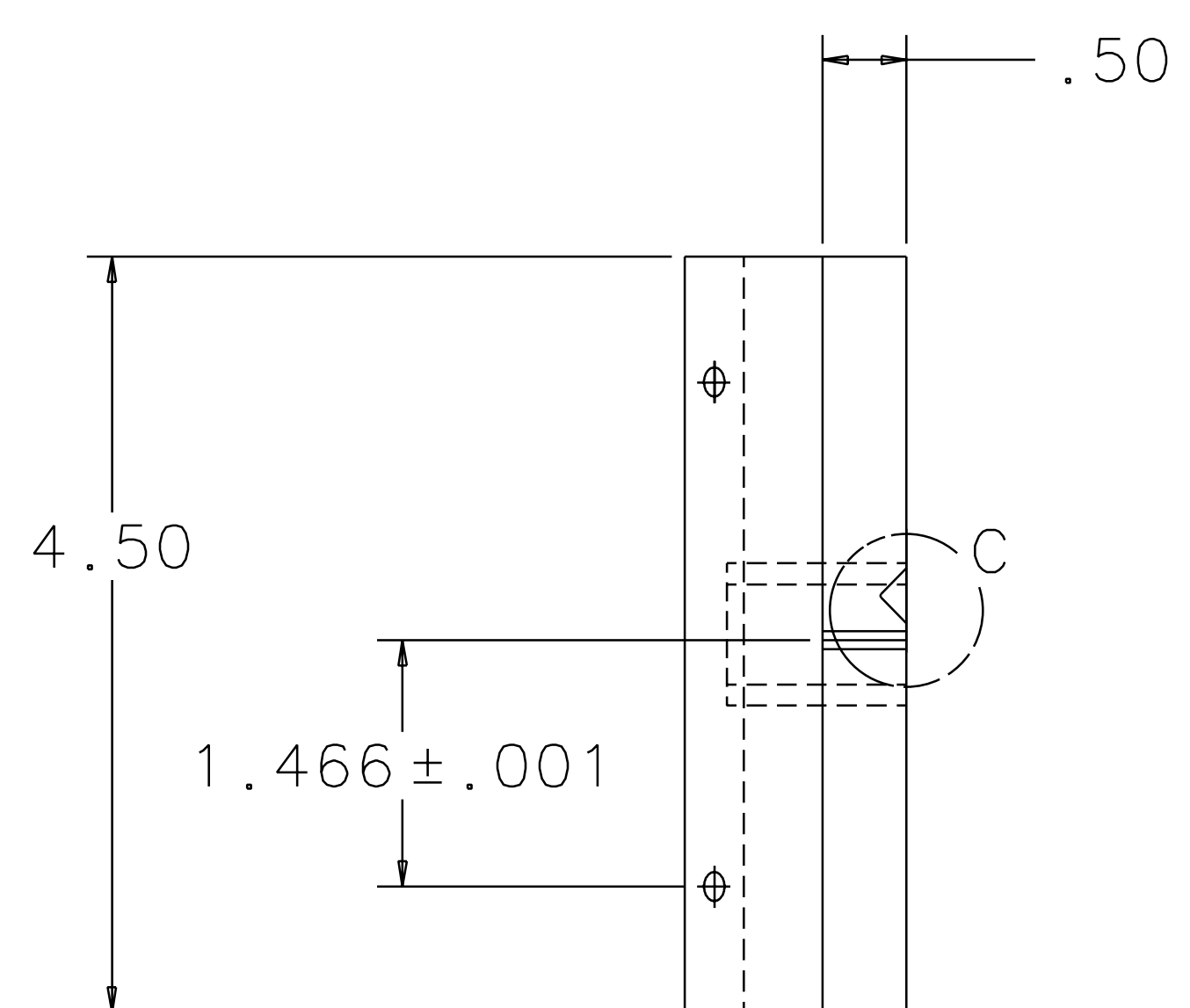
VIEW D
SCALE 4:1



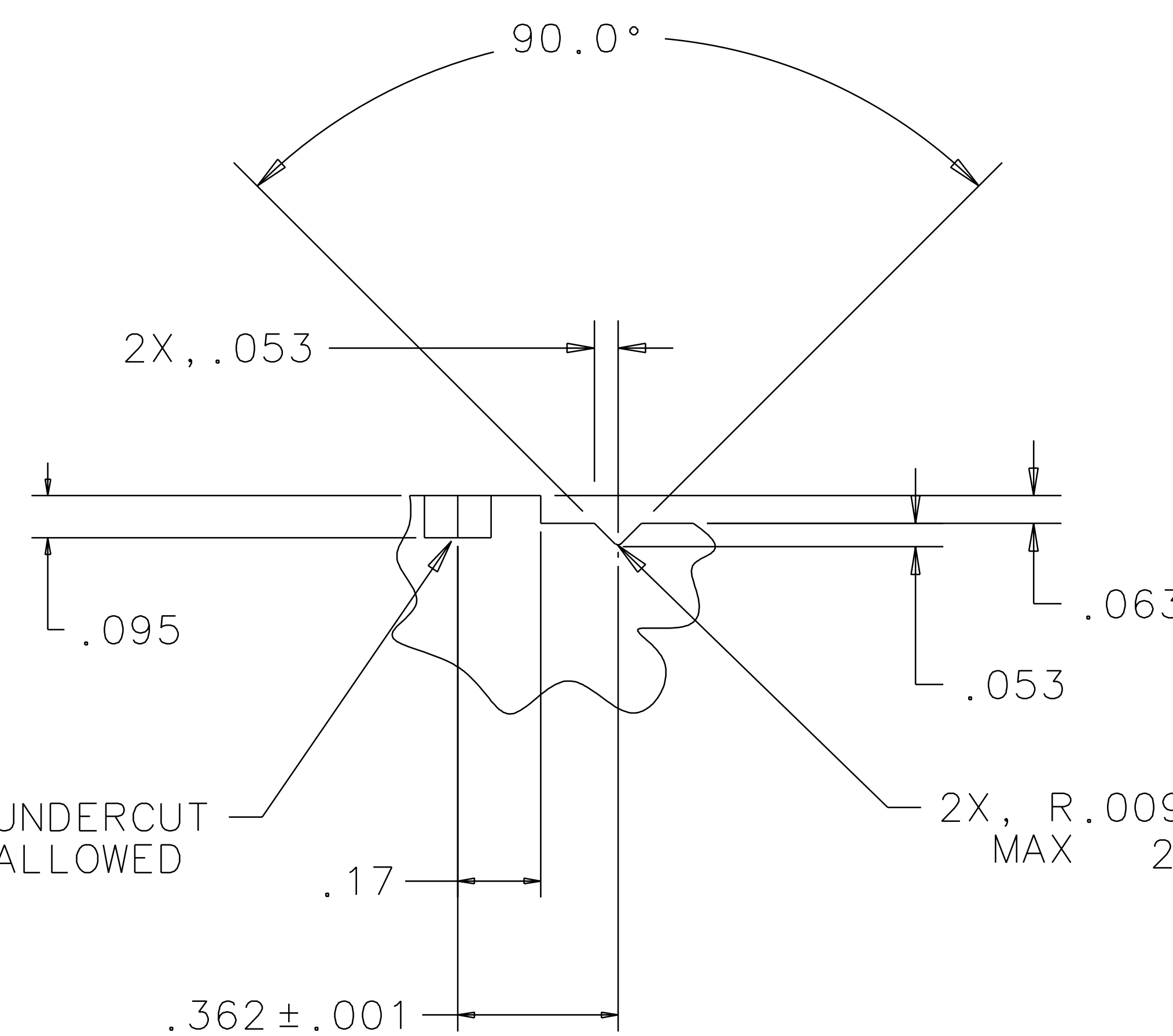
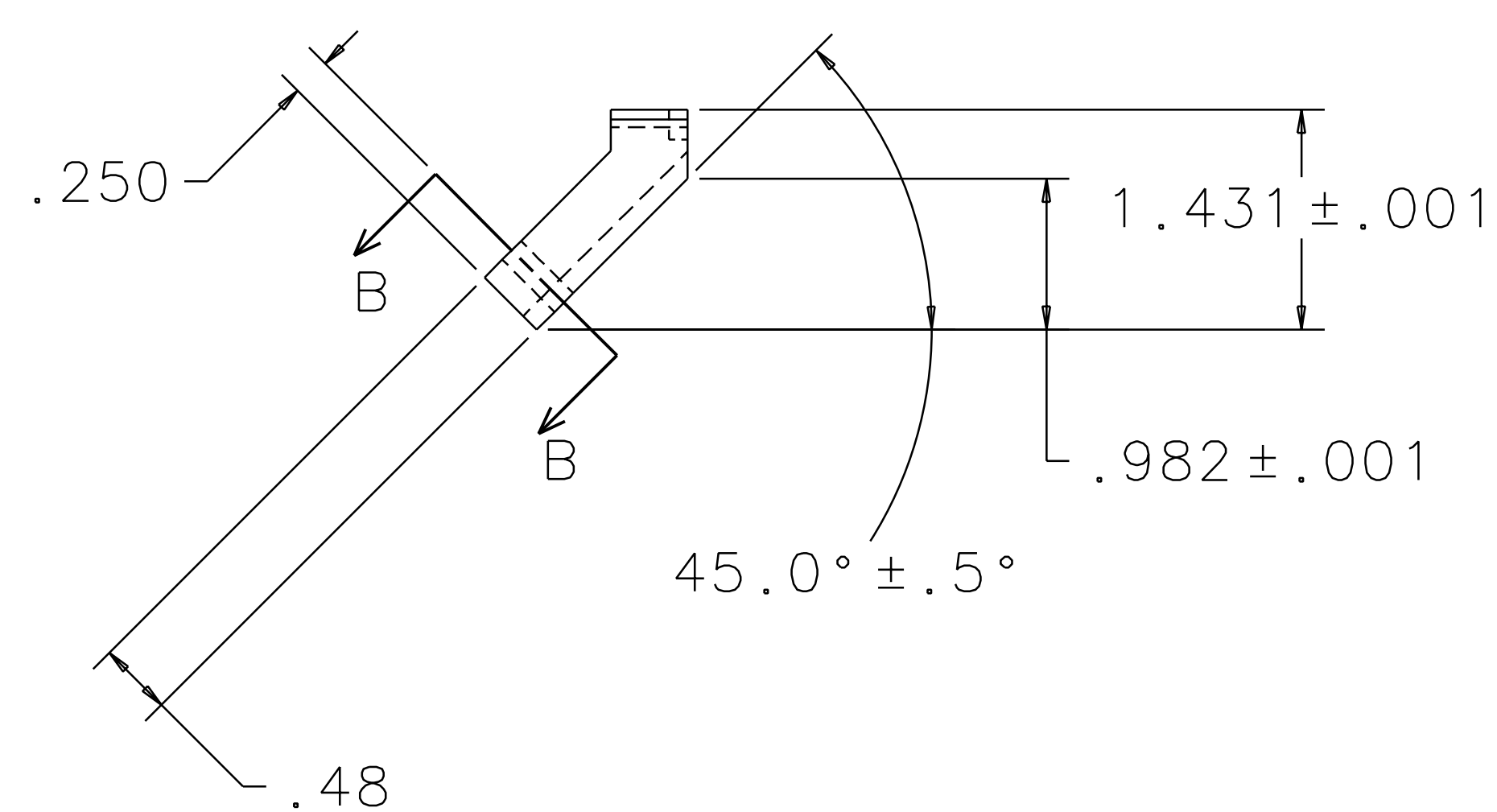
VIEW L
SCALE 2:1



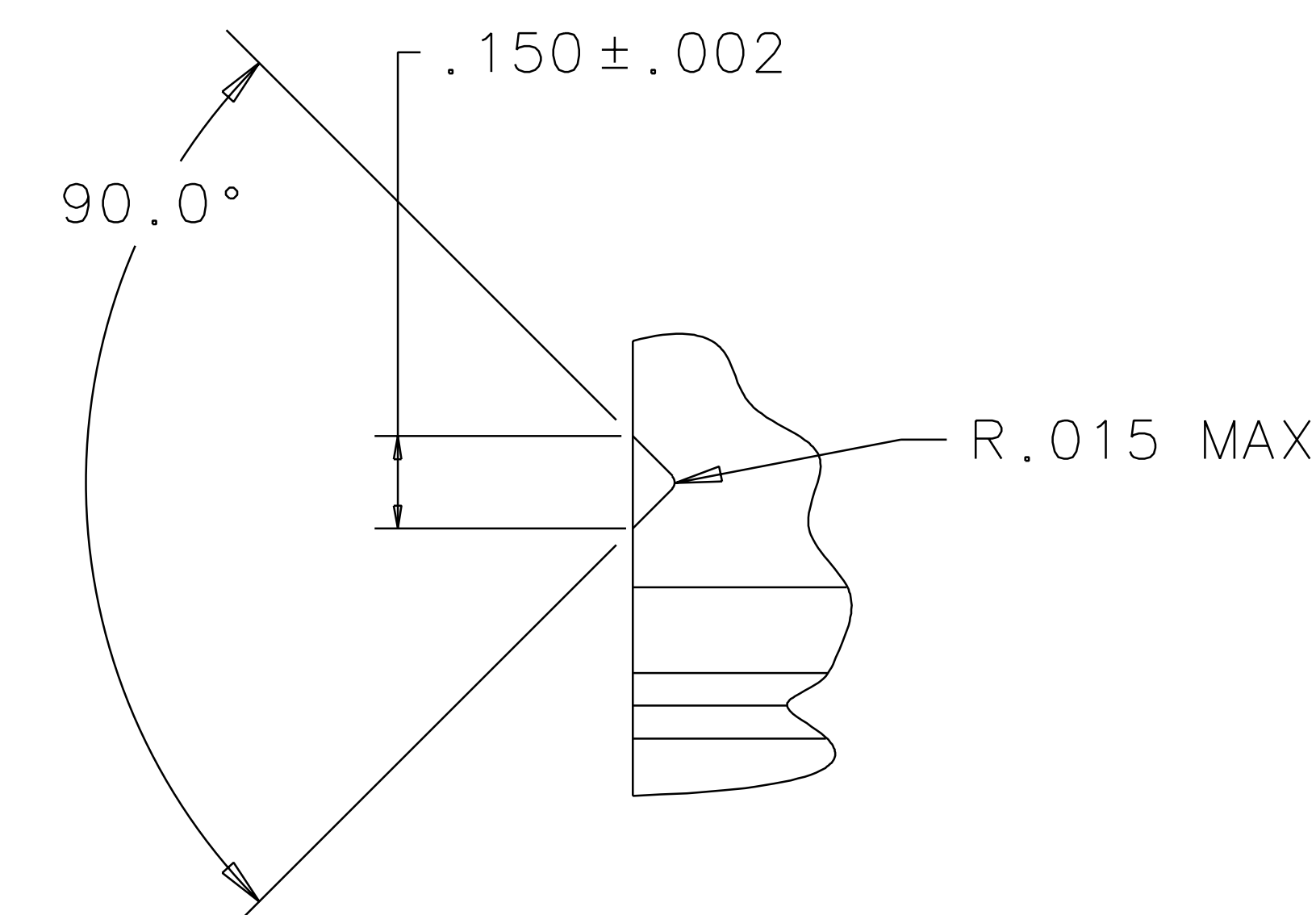
SECTION B-B



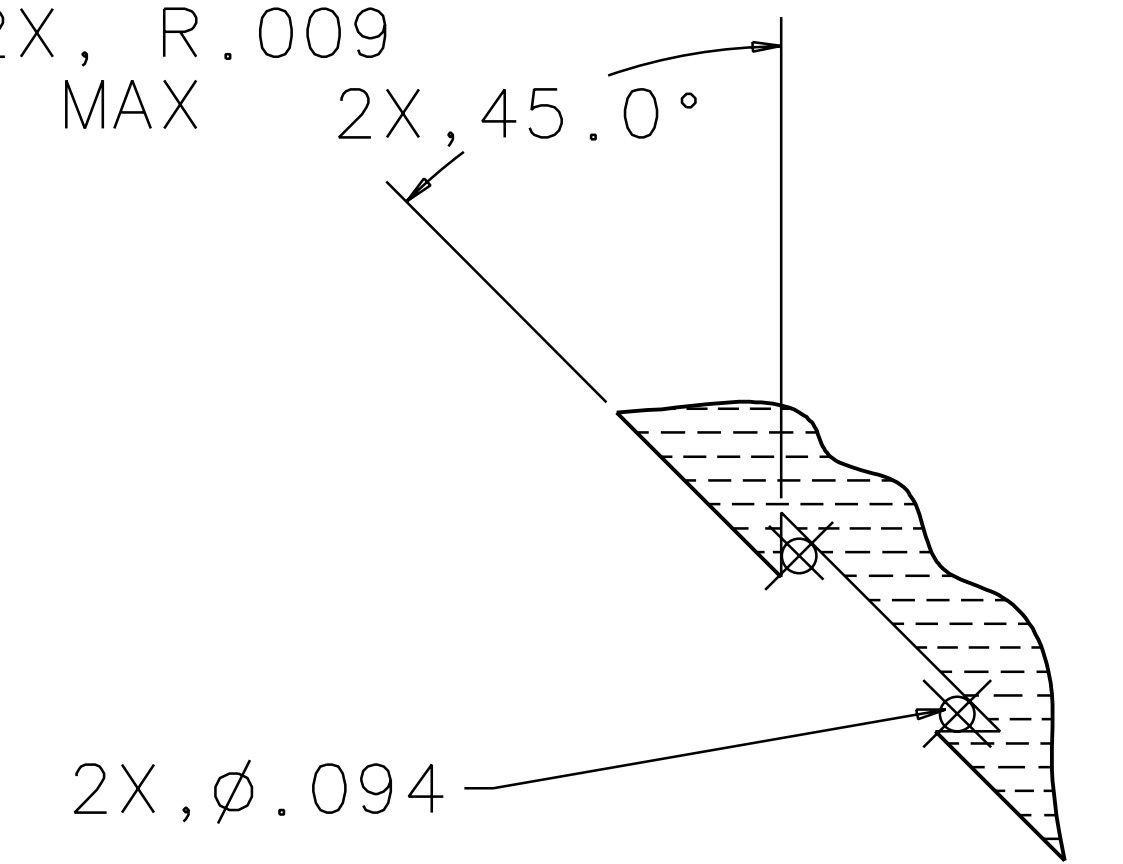
LEFT BLOCK, TOP
MATERIAL: TEFLON



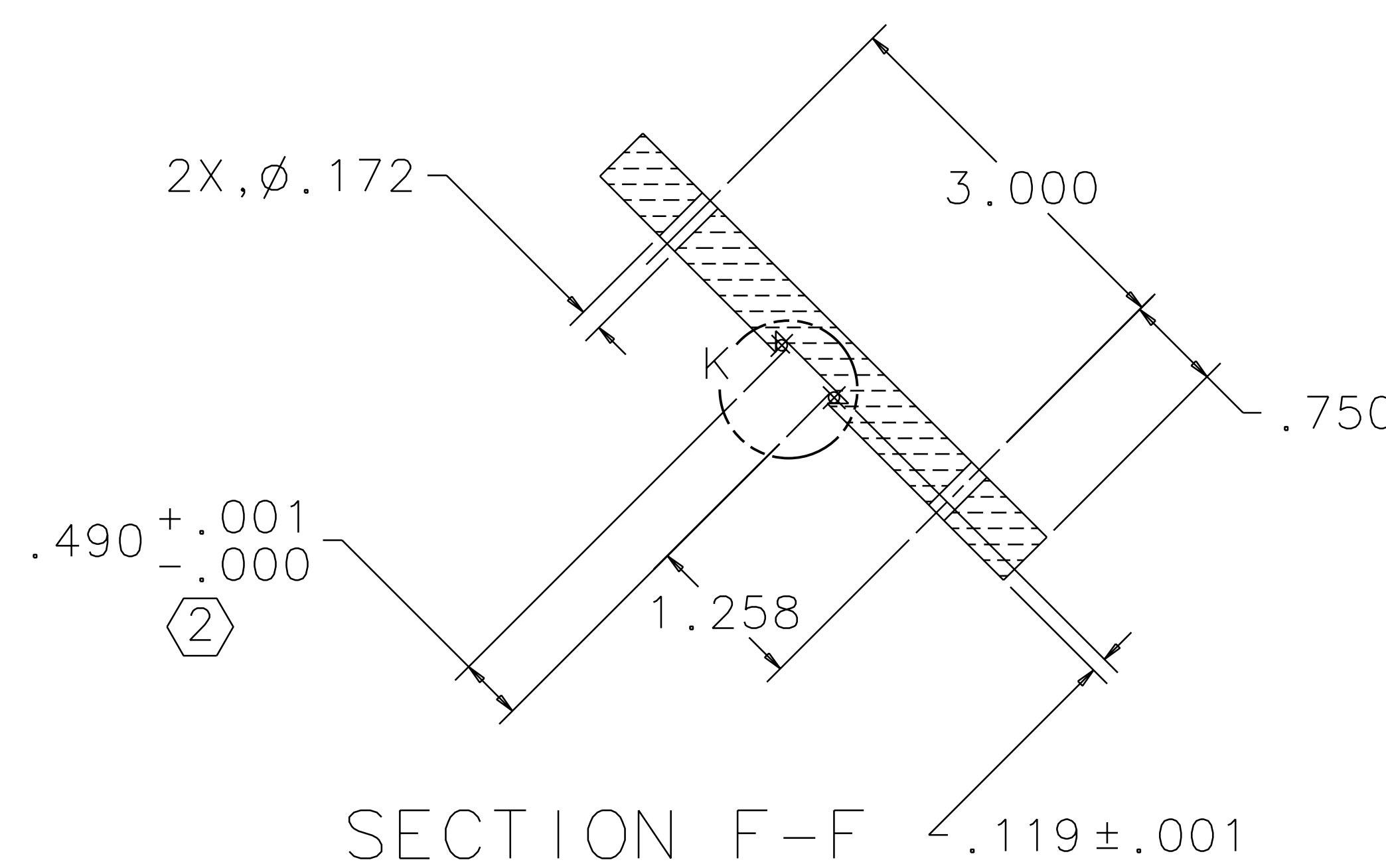
VIEW H
SCALE 4:1



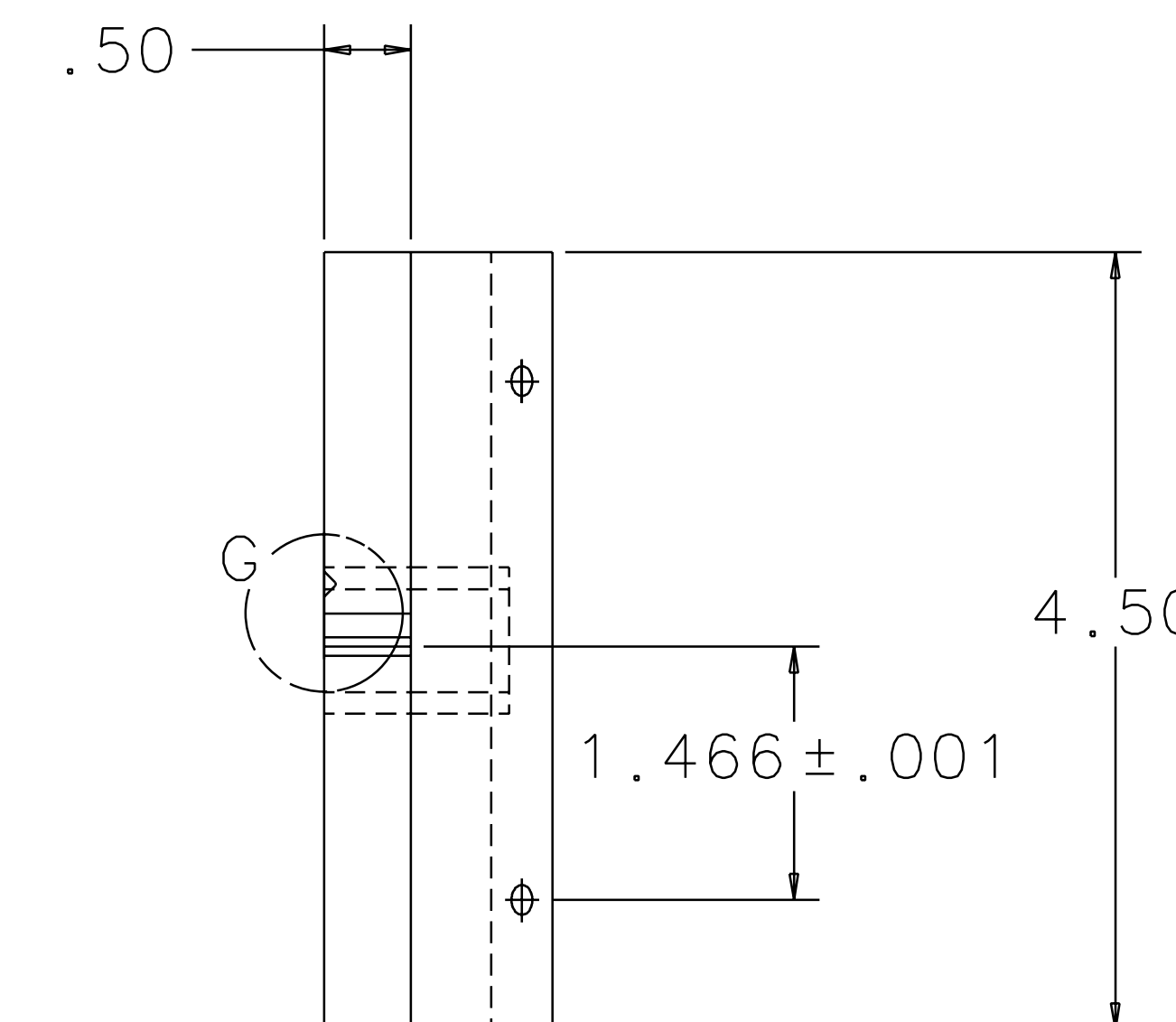
VIEW G
SCALE 4:1



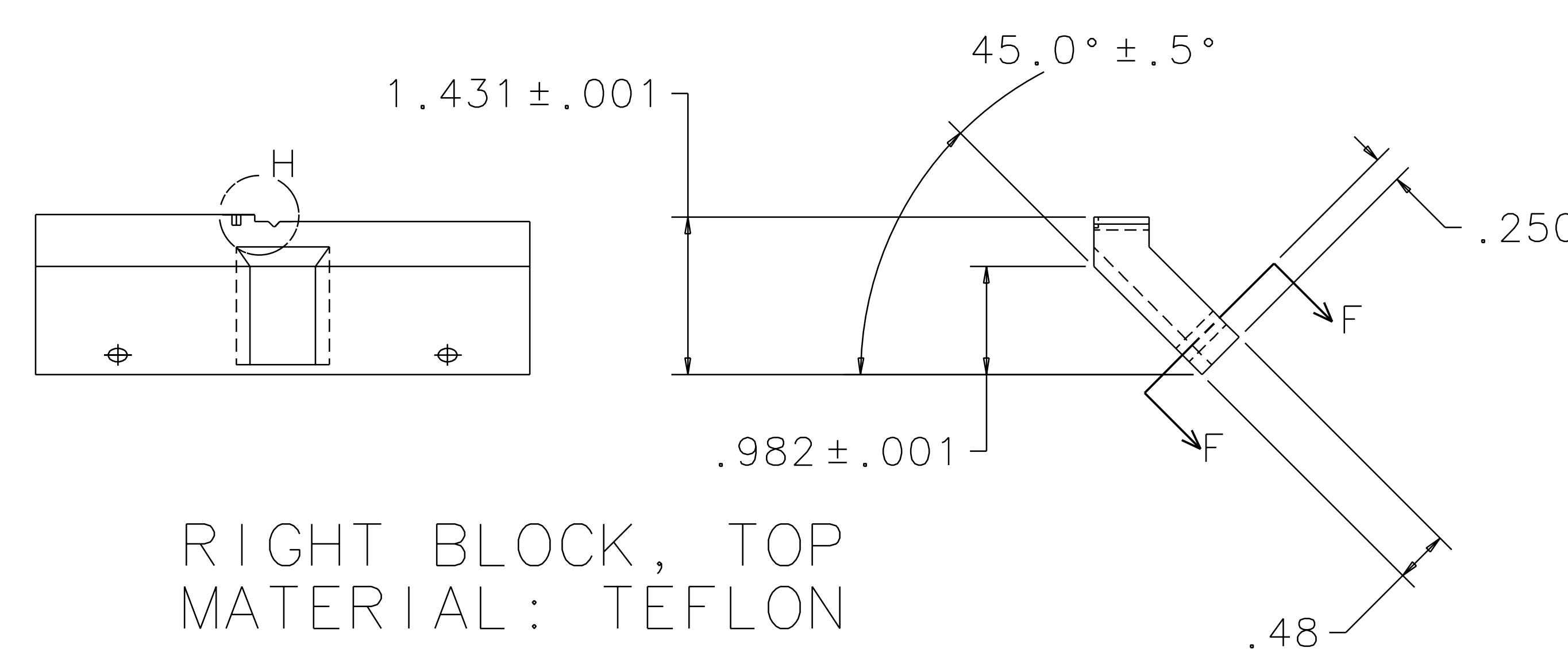
VIEW K
SCALE 2:1



SECTION F-F



RIGHT BLOCK, TOP
MATERIAL: TEFLON



QTY REQ	PART OR IDENTIFYING NO	NOMENCLATURE OR DESCRIPTION	MATERIAL SPECIFICATION	ITEM NO.

APPROVALS	DATE	TITLE
J. Romie	8/98	GUIDE ROD FIXTURE, RECYCLING MIRRORS

UNLESS OTHERWISE SPECIFIED DIMENSIONS ARE IN INCHES
TOLERANCES ARE:
FRACTIONS DECIMALS ANGLES
0.XX ± 0.01
0.XXX ± 0.005
ANGLES ± 0.5°
DO NOT SCALE DRAWING

FILE LOCATION	FINISH	SCALE	SCALE NONE	SHEET 3 OF 3