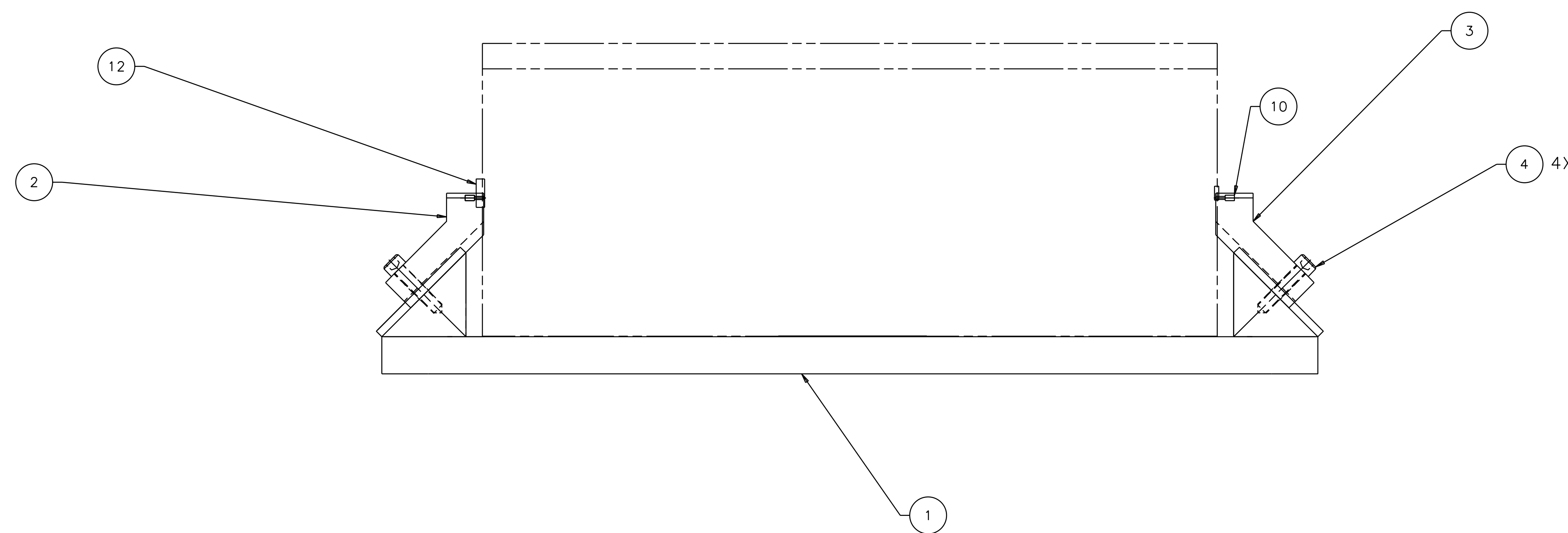
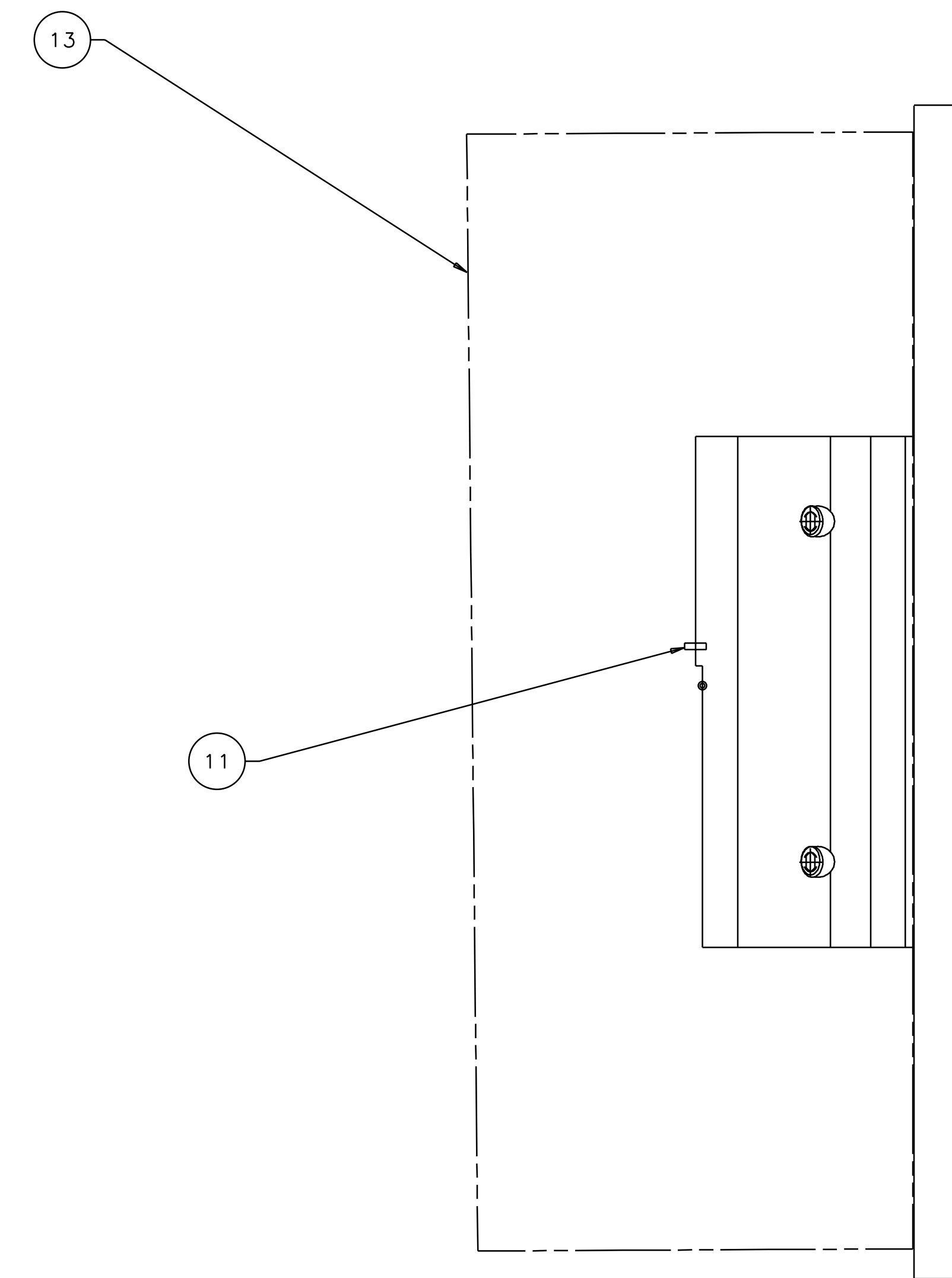
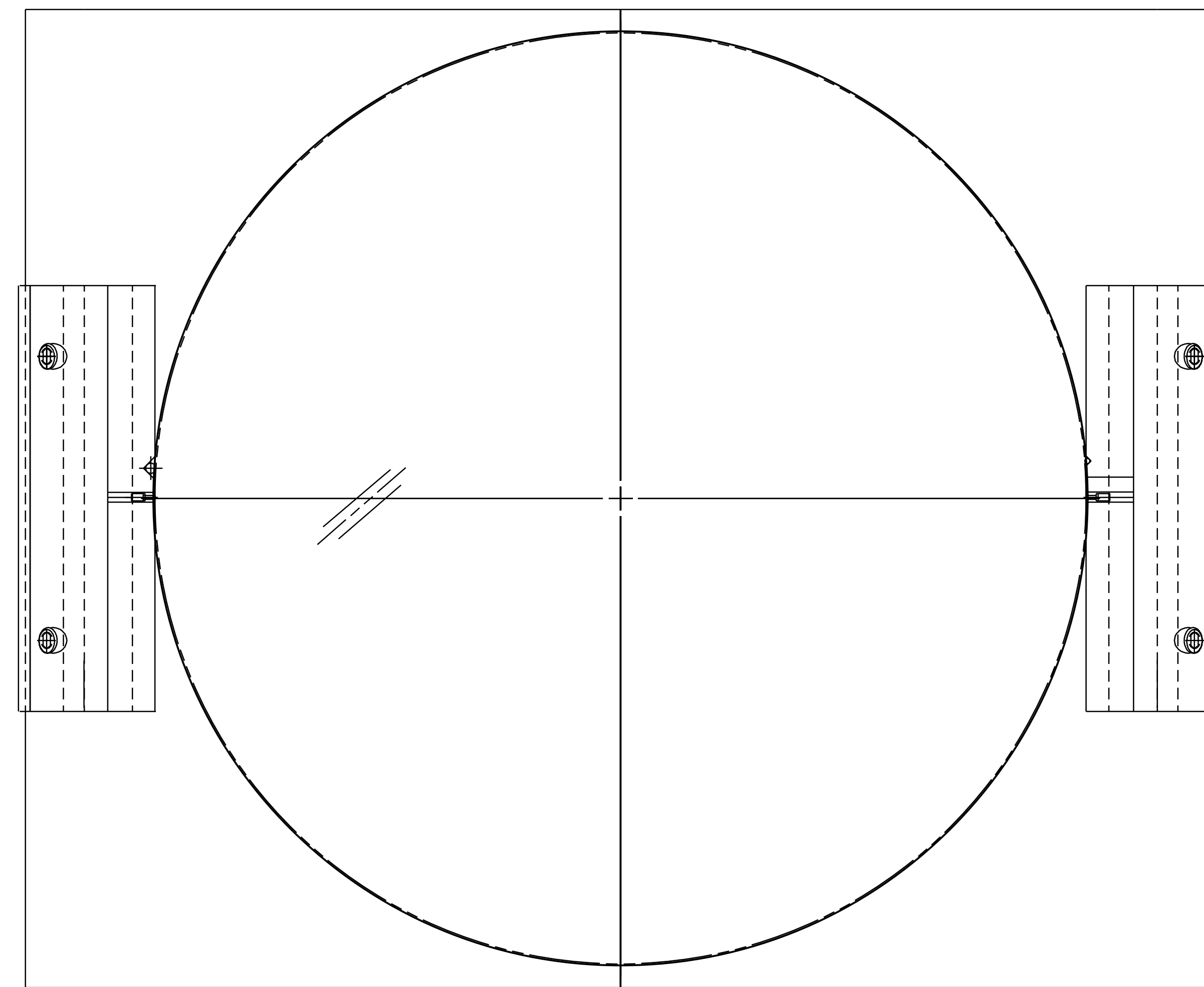


REV	DATE	DRAWN BY	CHECKED	DC	DCN/DESCRIPTION
A	8/14/98	J. Romie			E980220/INITIAL RELEASE

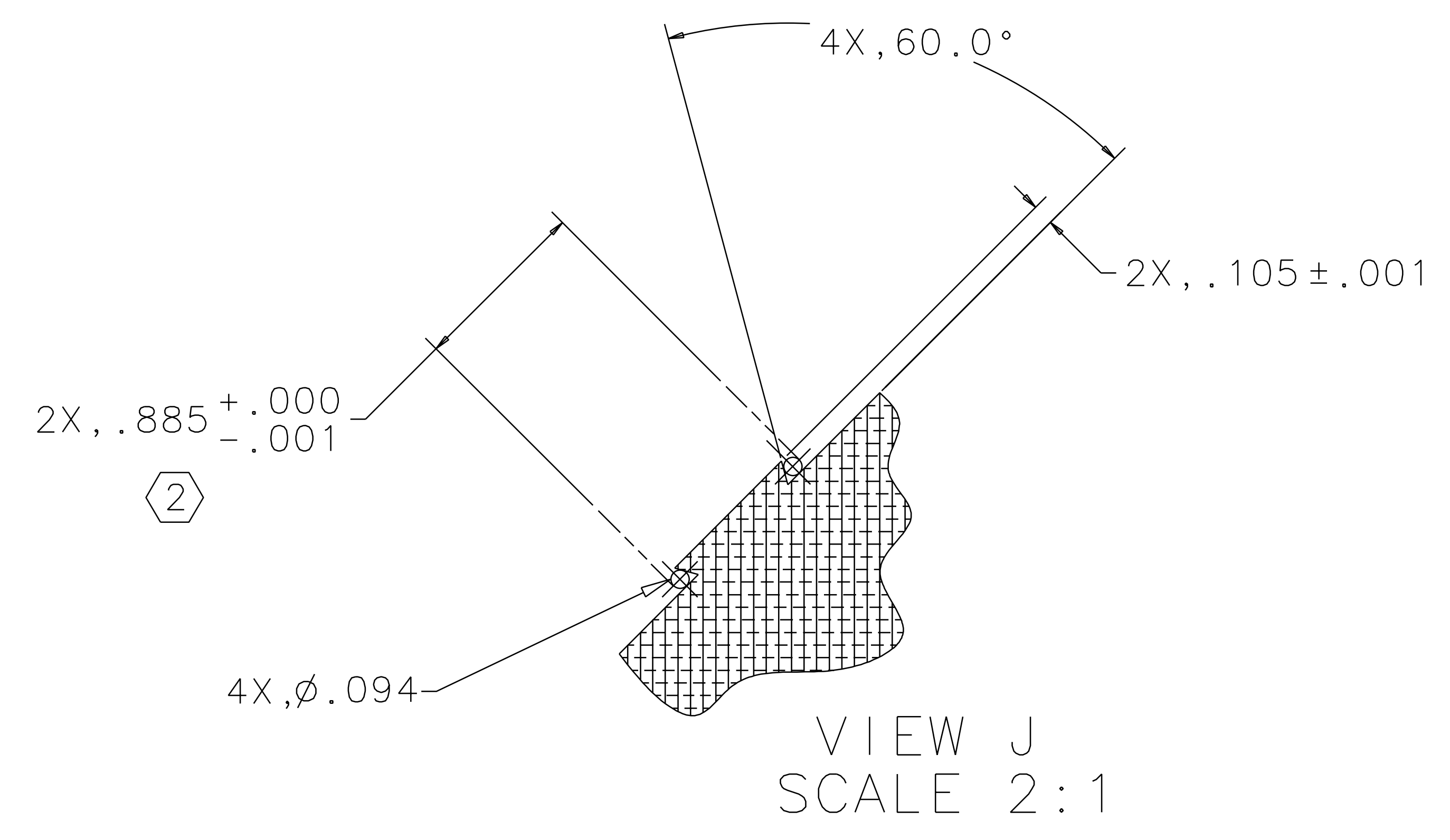
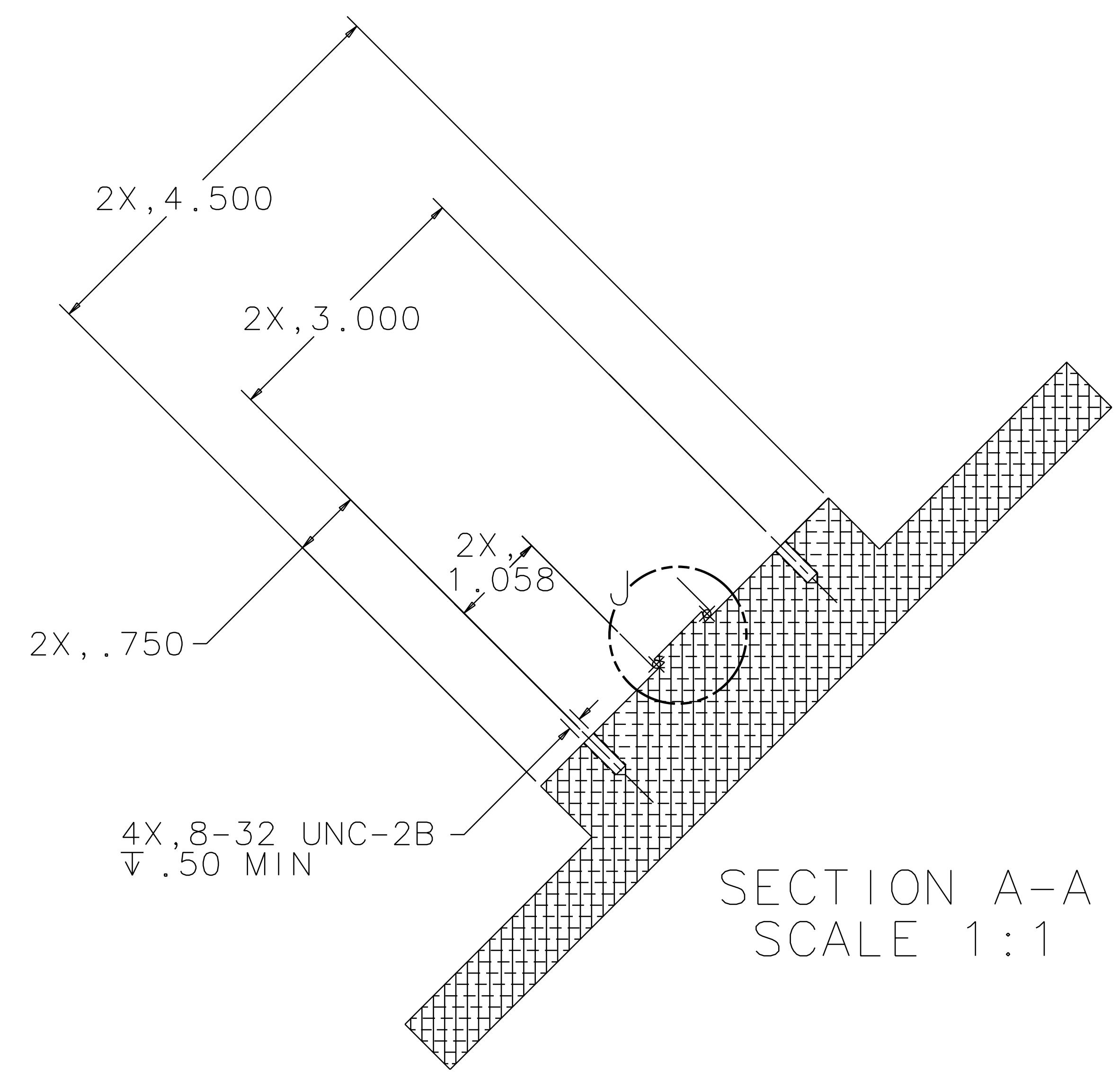
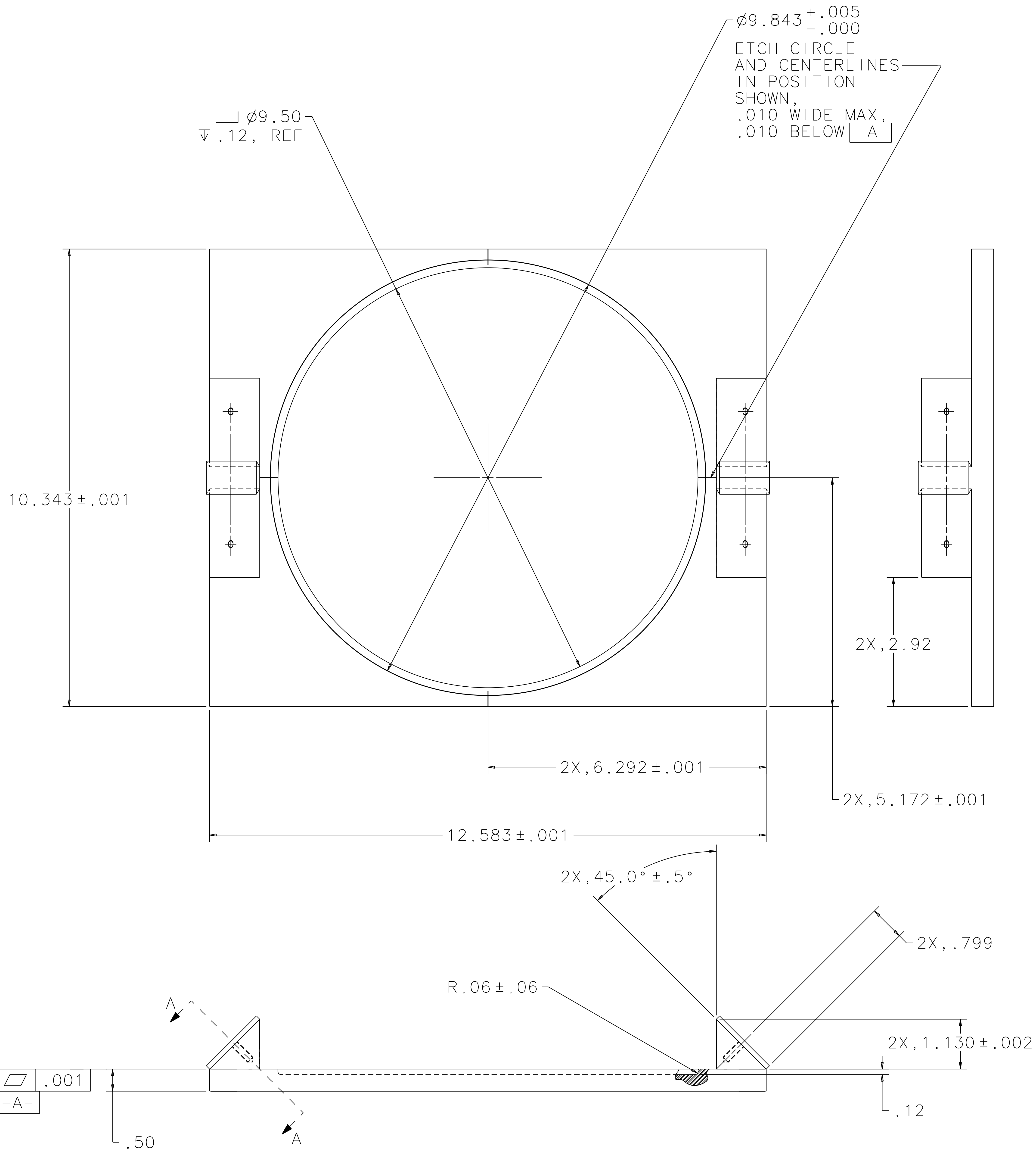
- NOTES: (UNLESS OTHERWISE SPECIFIED)
1. THIS FIXTURE IS TO BE USED WITH AN OPTIC THAT IS $\phi 9.84"$ X $3.94"$ THICK ($\phi 25\text{cm}$ X 10cm THICK), THICK-SIDE-UP ORIENTED WEDGE. CLOSE SLIP FIT.
 2. THE RIGHT BLOCK, TOP IS USED TO MOUNT THE GUIDE ROD AND THE LEFT BLOCK, TOP IS USED TO MOUNT THE WIRE STANDOFF.
 3. USE OF THIS FIXTURE IS COVERED IN LIGO-E970154.
 4. SPECIFICATIONS COVERING THE FABRICATION OF THIS ASSEMBLY ARE DETAILED IN LIGO-E970155, THE LARGE OPTIC SUSPENSION (LOS) FIXTURES AND COMPONENTS FABRICATION SPECIFICATION.



REF	QTY	PART OR IDENTIFYING NO	NOMENCLATURE OR DESCRIPTION	MATERIAL SPECIFICATION	ITEM NO
			OPTIC, ITM, 2k		13
			WIRE STANDOFF		12
			GUIDE ROD		11
			MAGNET/STANDOFF ASSEMBLY		10
					9
					8
					7
					6
					5
4			SCREW, SHCS, #8-32 x .75	STAINLESS STEEL	4
1	1		RIGHT BLOCK, TOP		3
1	1		LEFT BLOCK, TOP		2
1	1		BASE PLATE		1

UNLESS OTHERWISE SPECIFIED DIMENSIONS ARE IN INCHES		APPROVALS		DATE	LIGO CALIFORNIA INSTITUTE OF TECHNOLOGY	
TOLERANCES ARE:				8/98	MASSACHUSETTS INSTITUTE OF TECHNOLOGY	
FRACTIONS	DECIMALS	ANGLES			TITLE	
0. XX±0.01					GUIDE ROD FIXTURE,	
0. XXX±0.005					ITM, 4k (LOS1b)	
ANGLES±0.5°					SIZE	
DO NOT SCALE DRAWING					E D970574	
NEXT ASSEMBLY		MATERIAL		SCALE		REV
D970560				1/1		A
FILE LOCATION		FINISH		SHEET		OF
/home/dcc/docs/D970574.pdf				1		3

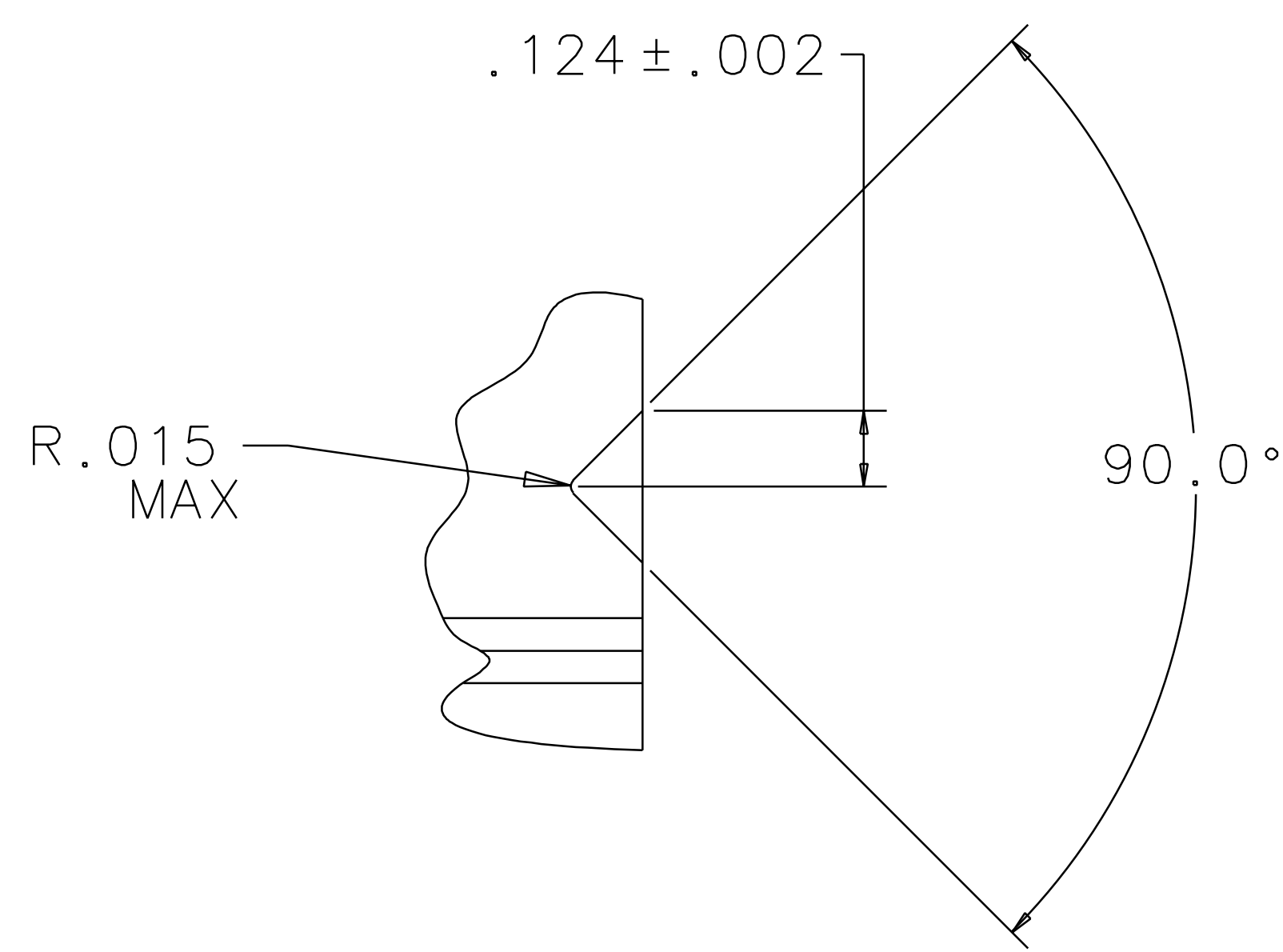
REV	DATE	DRAWN BY	CHECKED	DCC	DCN/DESCRIPTION
A	8-14-98	J. Romie			E980220/INITIAL RELEASE



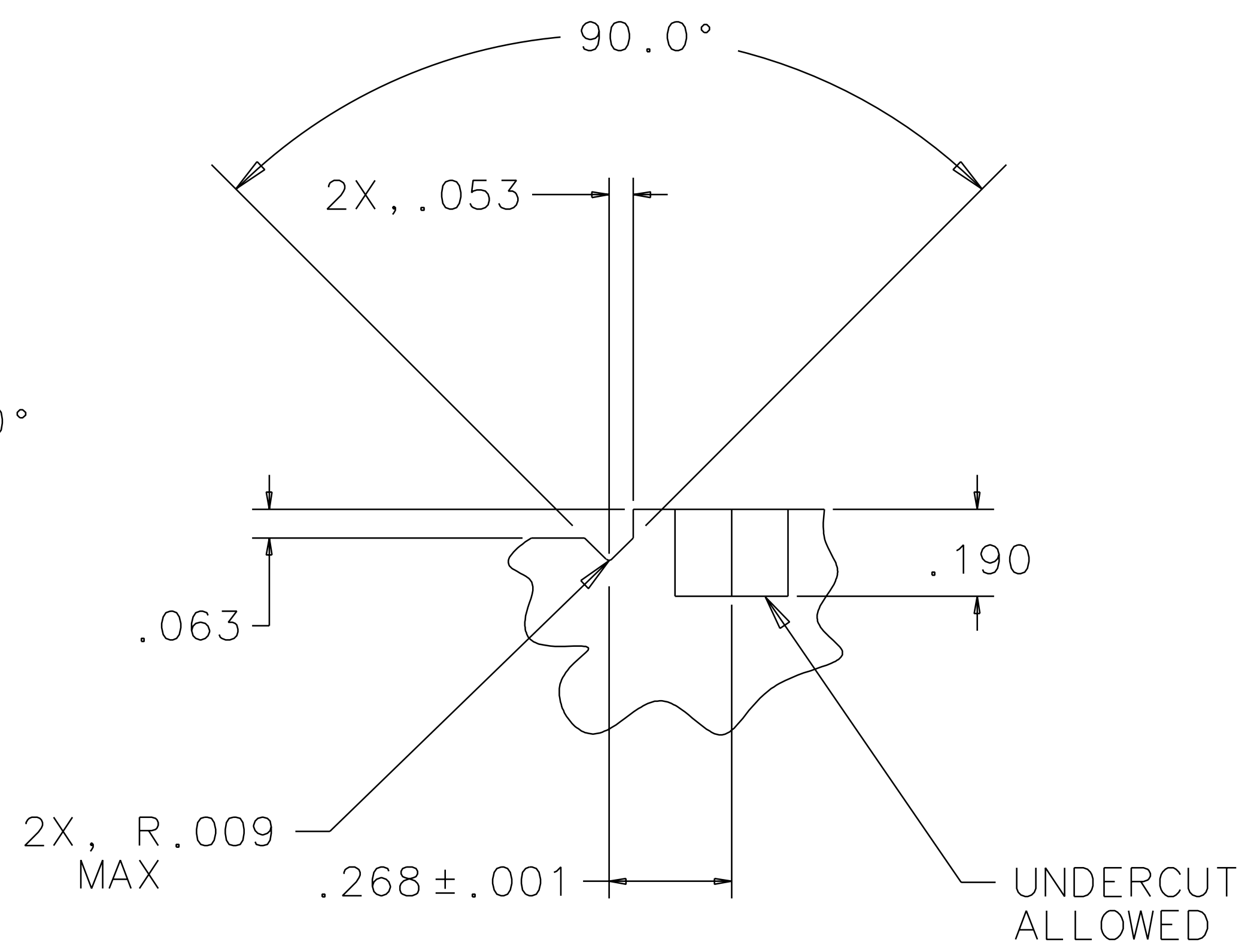
BASE PLATE
MATERIAL: 6061-T6 ALUM

QTY REQD	PART OR IDENTIFYING NO	NOMENCLATURE OR DESCRIPTION	MATERIAL SPECIFICATION	ITEM NO.
UNLESS OTHERWISE SPECIFIED DIMENSIONS ARE IN INCHES				
TOLERANCES ARE:				
FRACTIONS		DECIMALS	ANGLES	
0.XX \pm 0.01		0.XXX \pm 0.005	ANGLES \pm 0.5°	
DO NOT SCALE DRAWING				
APPROVALS		DATE	LIGO CALIFORNIA INSTITUTE OF TECHNOLOGY MASSACHUSETTS INSTITUTE OF TECHNOLOGY	
DRAWN J. Romie		8/98	TITLE GUIDE ROD FIXTURE ITM, 4k (LOS1b)	
CHECKED			SIZE E D970574	
MATERIAL			SCALE 1/1	
FINISH			SHEET 2 OF 3	

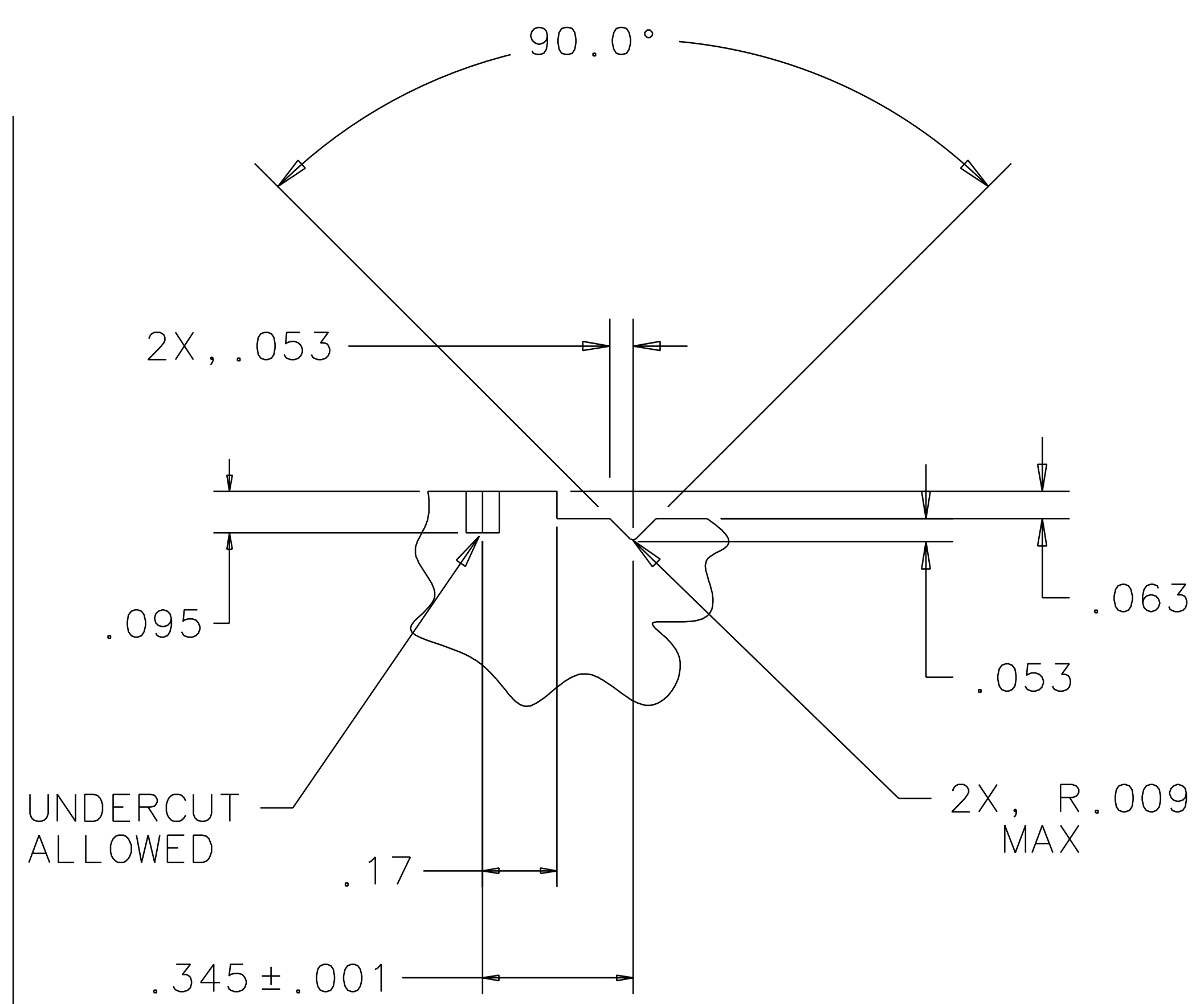
REV	DATE	DRAWN BY	CHECKED	DCC	DCN/DESCRIPTION
A	8-14-98	J. Romie			E980220/INITIAL RELEASE



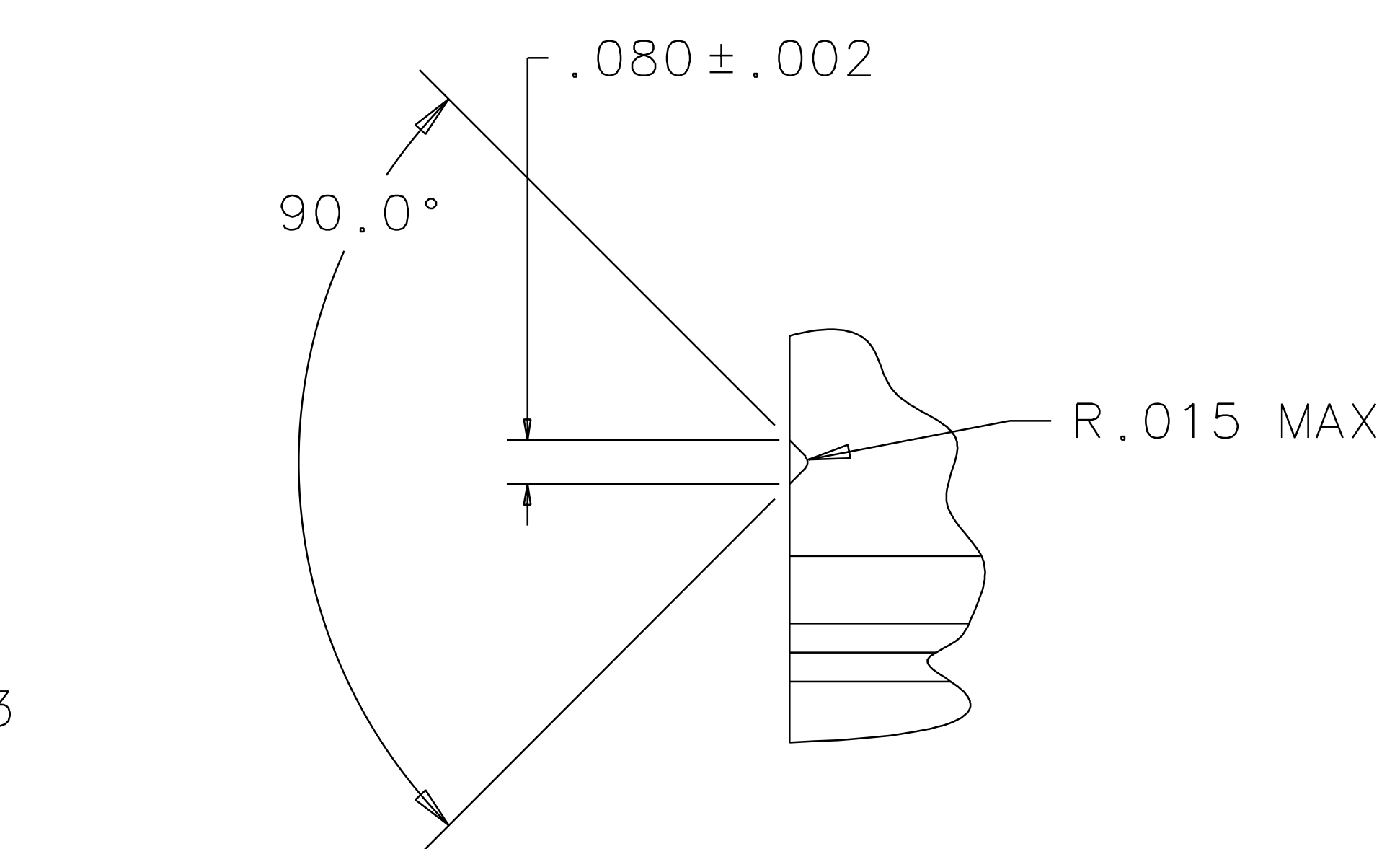
VIEW C
SCALE 4:1



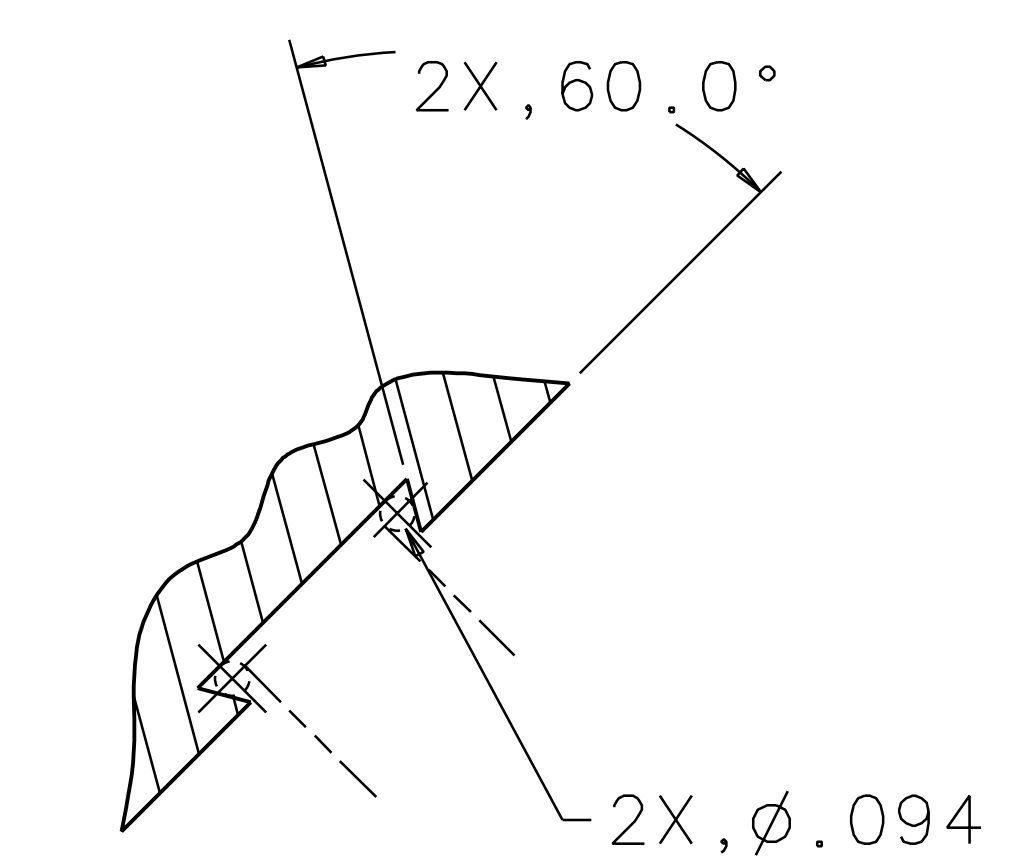
VIEW D
SCALE 4:1



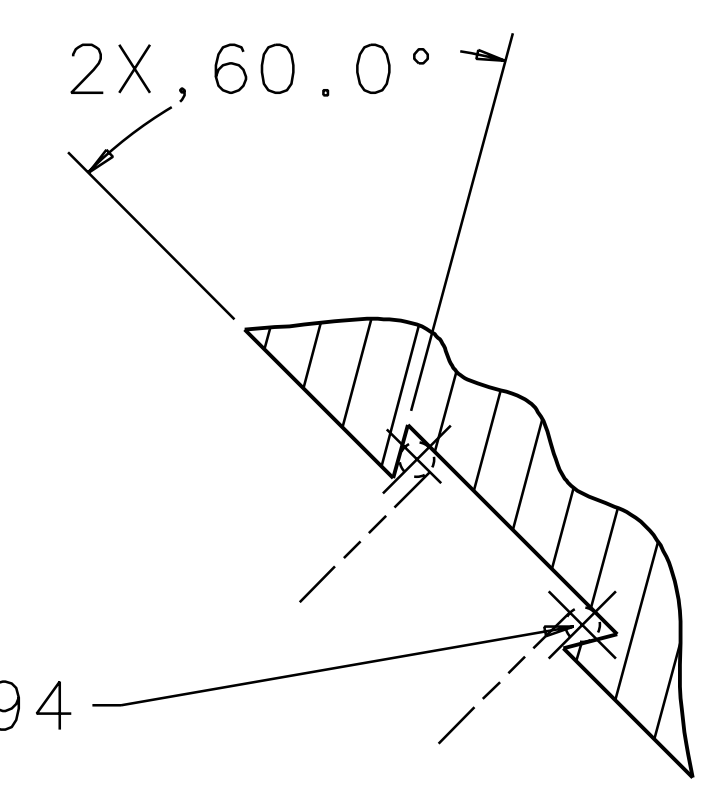
VIEW H
SCALE 4:1



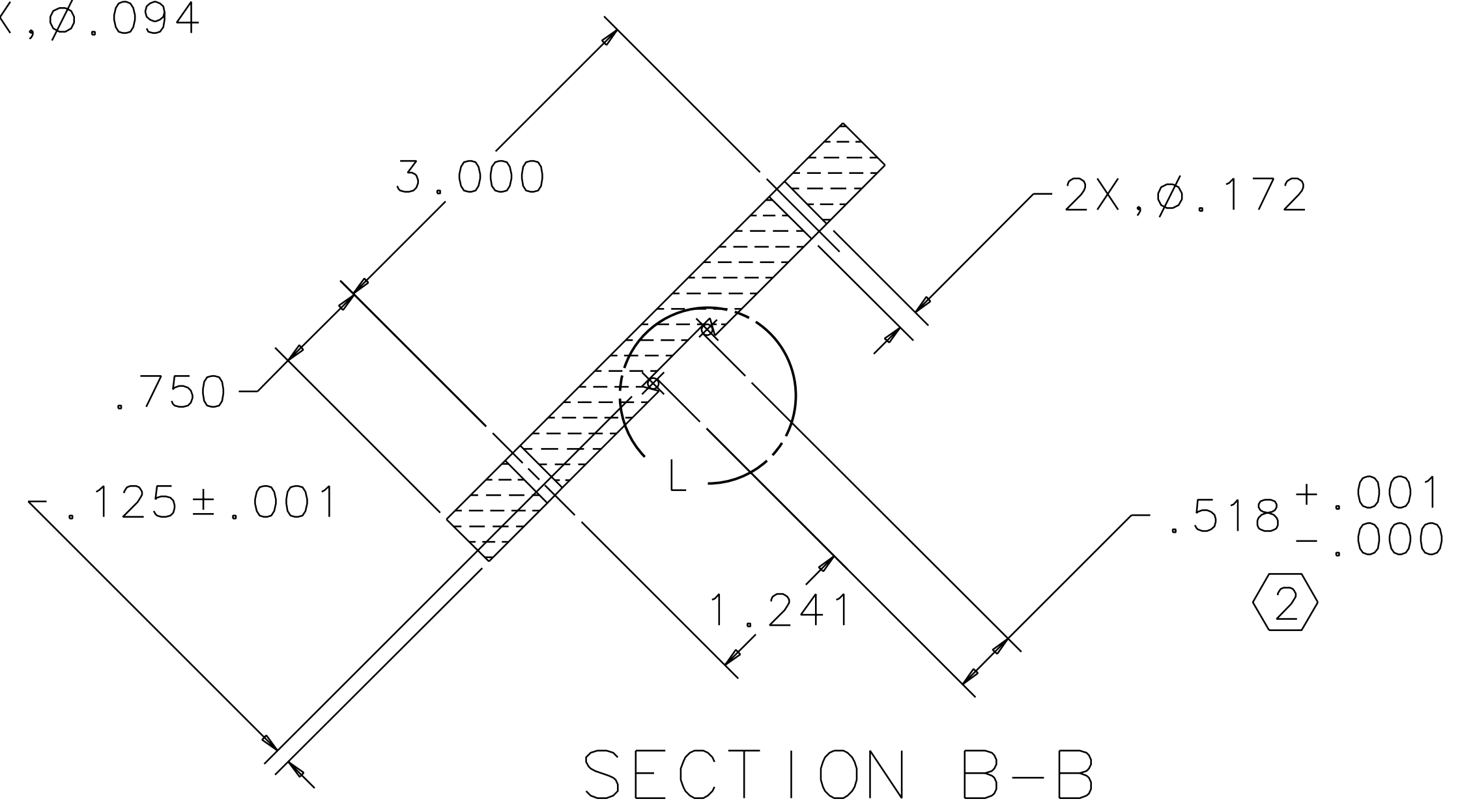
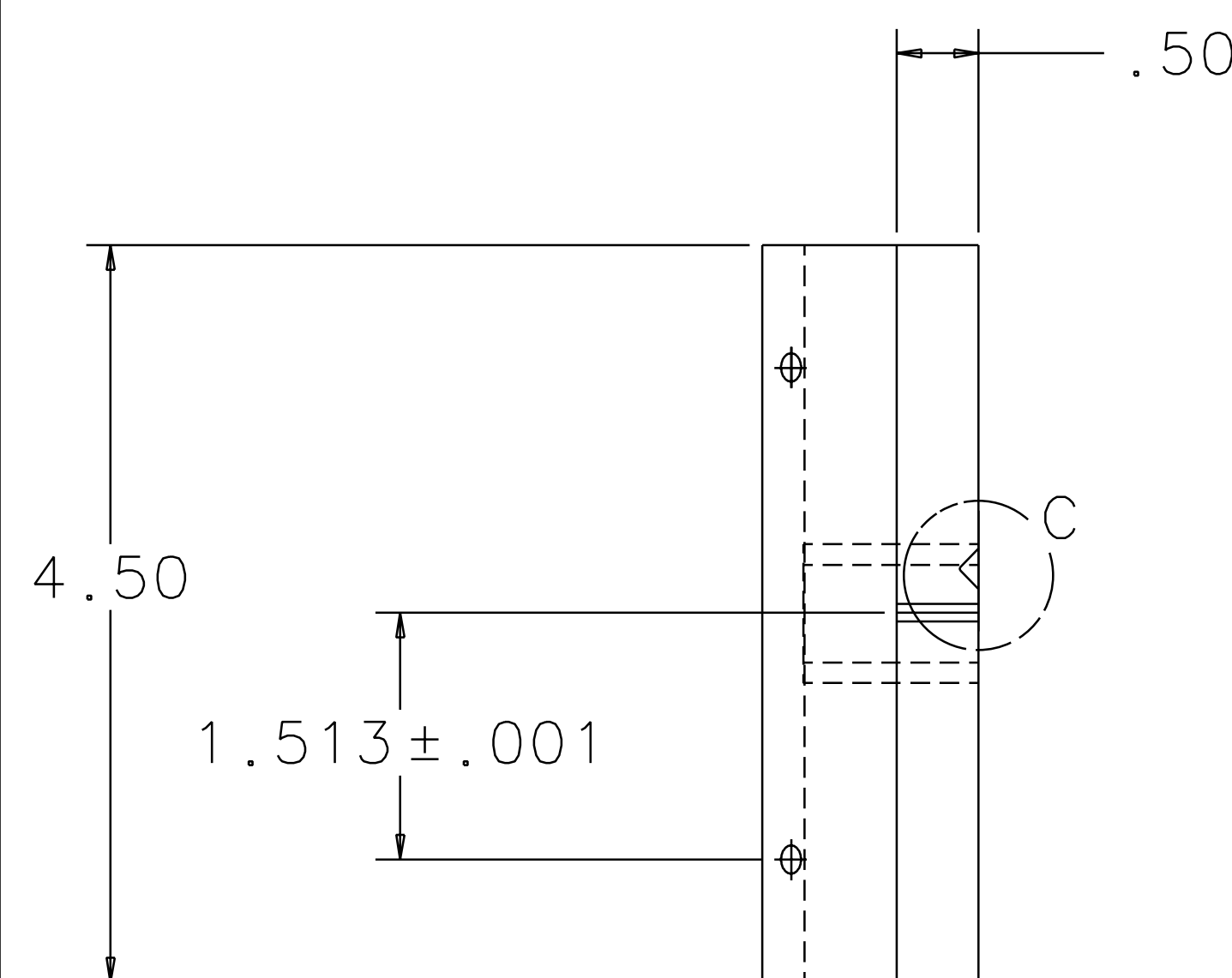
VIEW G
SCALE 4:1



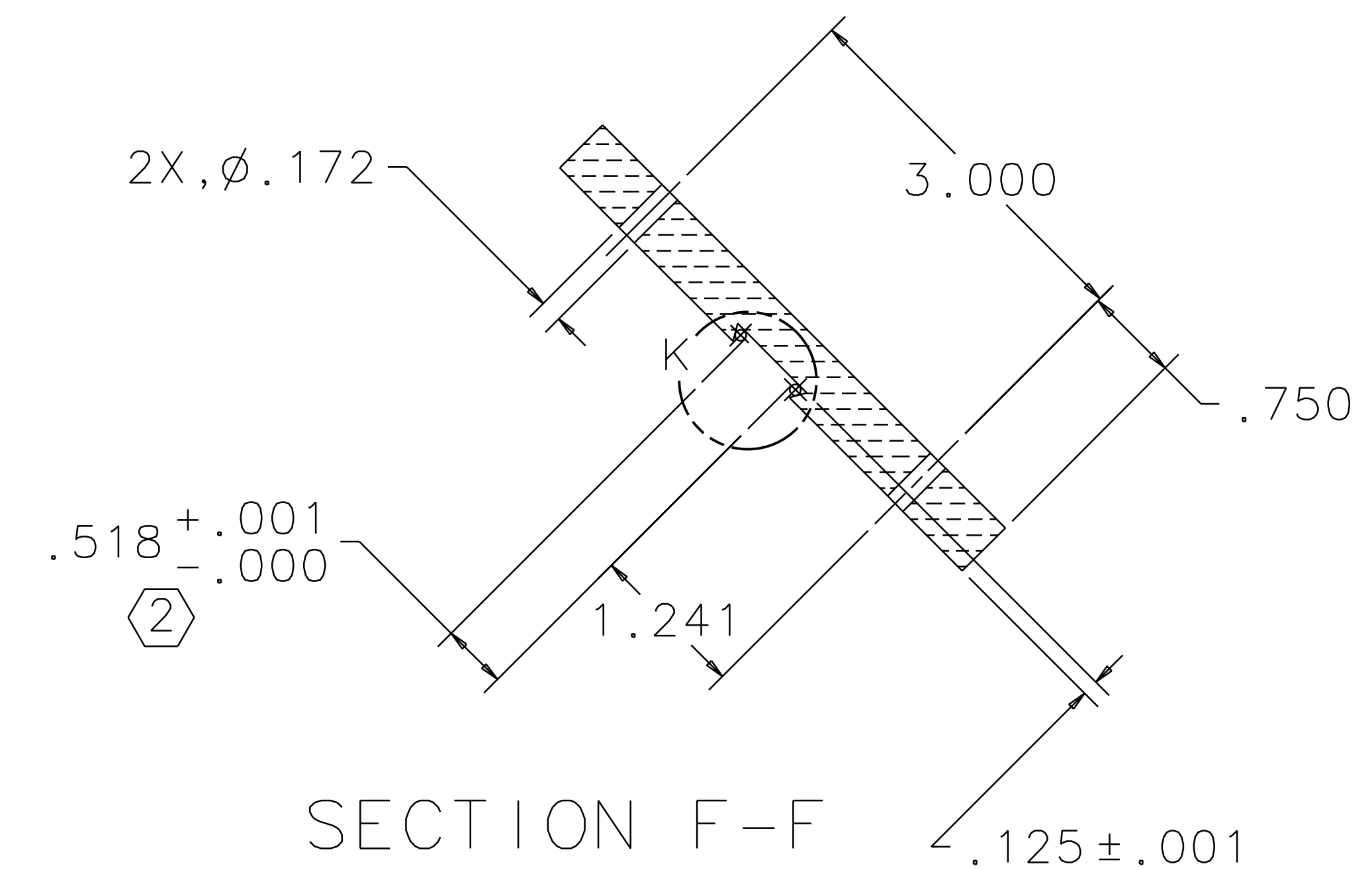
VIEW L
SCALE 2:1



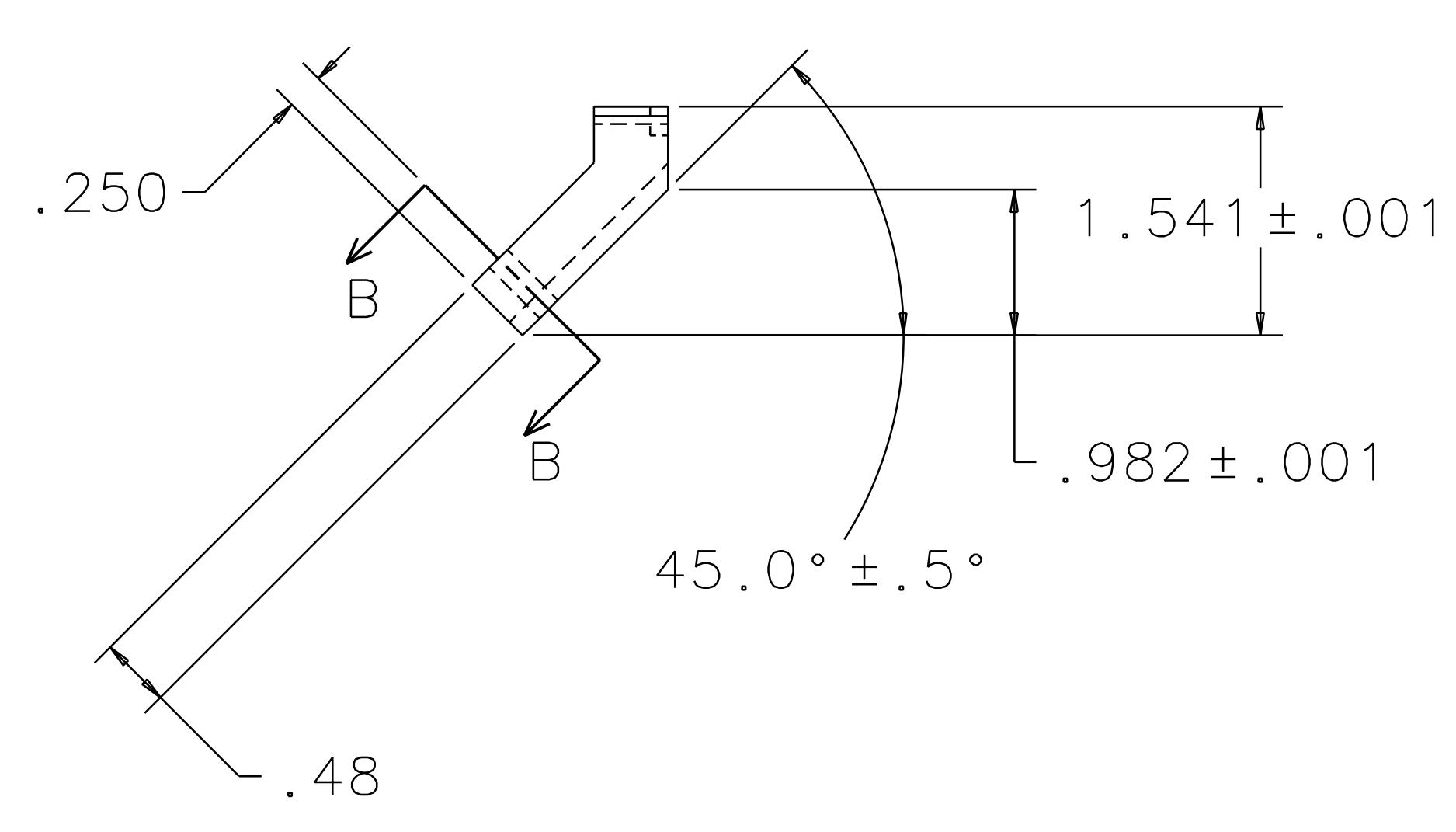
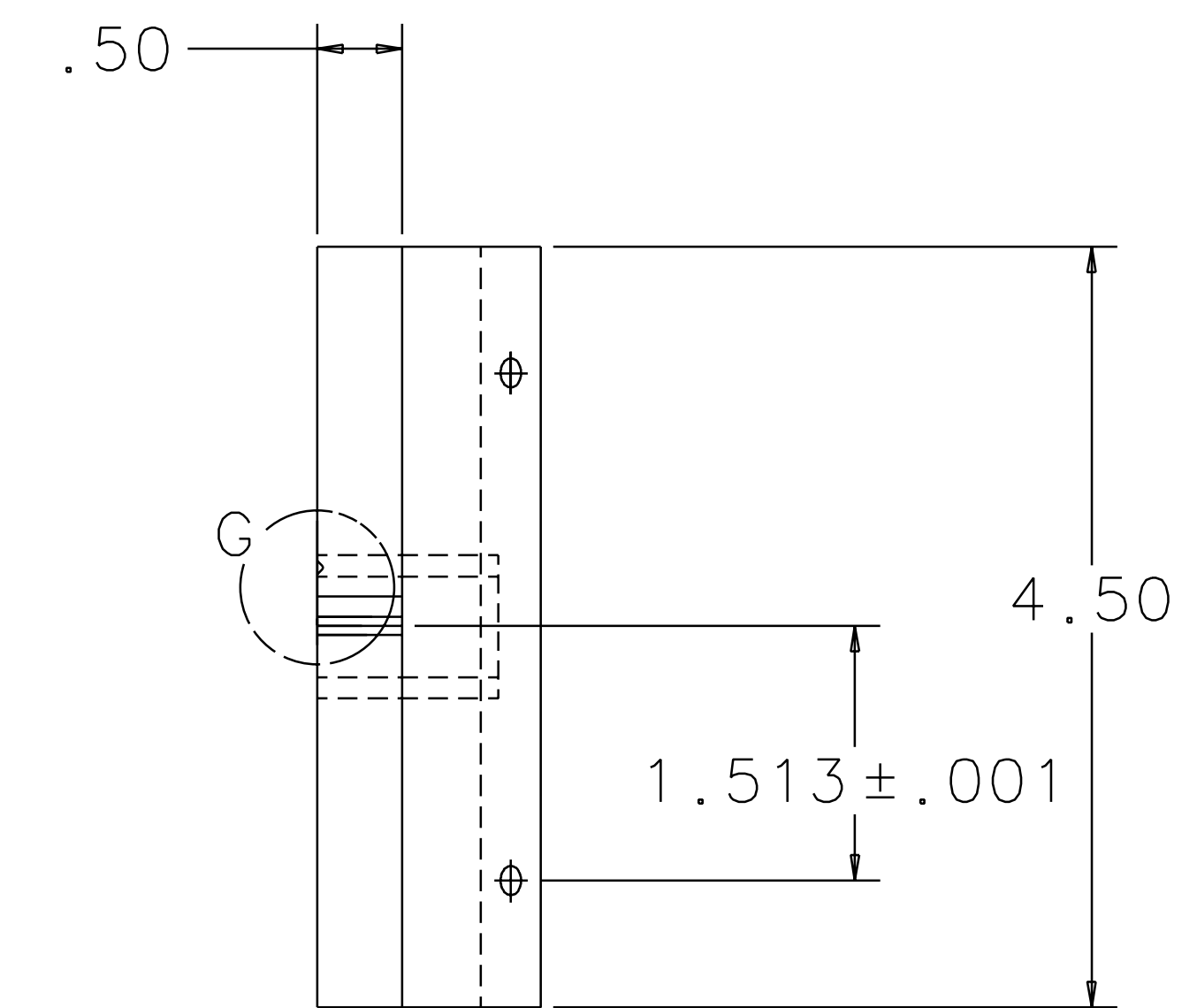
VIEW K
SCALE 2:1



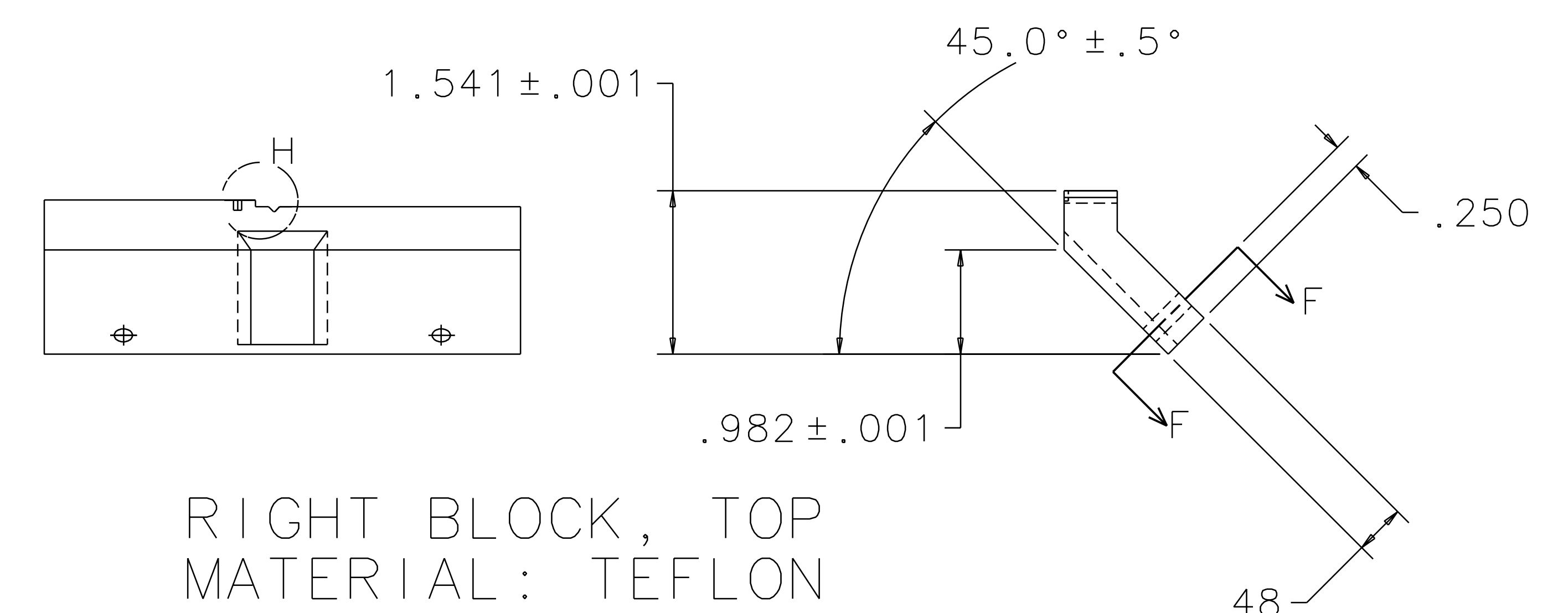
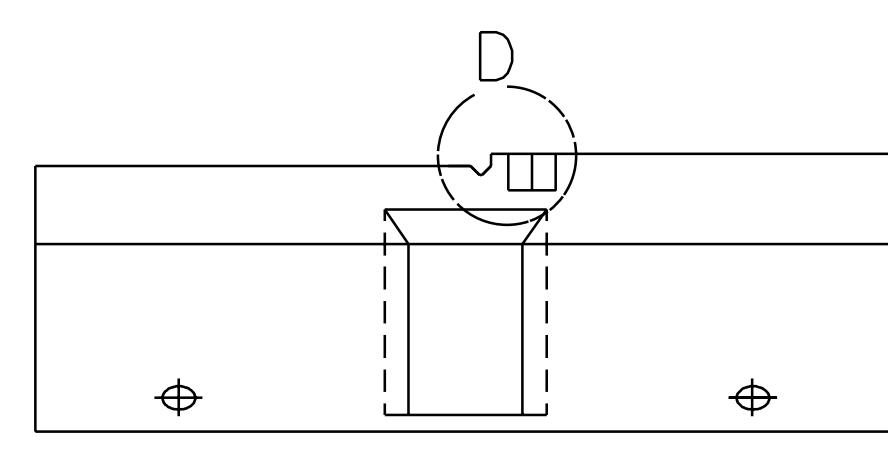
SECTION B-B



SECTION F-F



LEFT BLOCK, TOP
MATERIAL: TEFLON



RIGHT BLOCK, TOP
MATERIAL: TEFLON

QTY REQ	PART OR IDENTIFYING NO	NOMENCLATURE OR DESCRIPTION	MATERIAL SPECIFICATION	ITEM NO.
		GUIDE ROD FIXTURE ITM, 4k (LOS1b)		

UNLESS OTHERWISE SPECIFIED DIMENSIONS ARE IN INCHES	APPROVALS	DATE	LIGO CALIFORNIA INSTITUTE OF TECHNOLOGY MASSACHUSETTS INSTITUTE OF TECHNOLOGY
FRACTIONS DECIMALS ANGLES		8/98	
0. XX ± 0.01	DRAWN		TITLE
0. XXX ± 0.005	J. Romie		GUIDE ROD FIXTURE ITM, 4k (LOS1b)
ANGLES ± 0.5°	CHECKED		SIZE
DO NOT SCALE DRAWING			E
			SCALE
			1/1
			SHEET
			3 OF 3