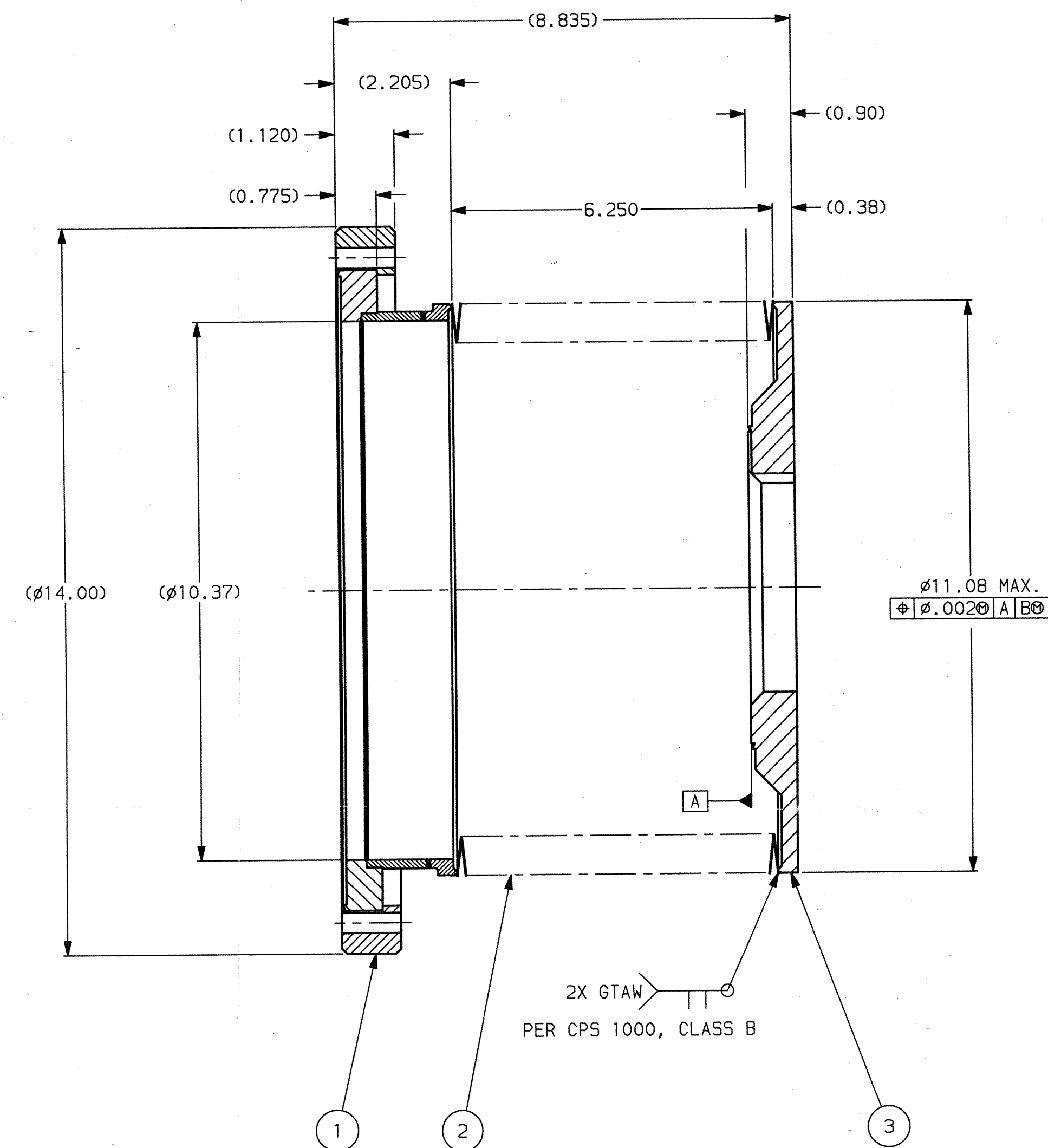
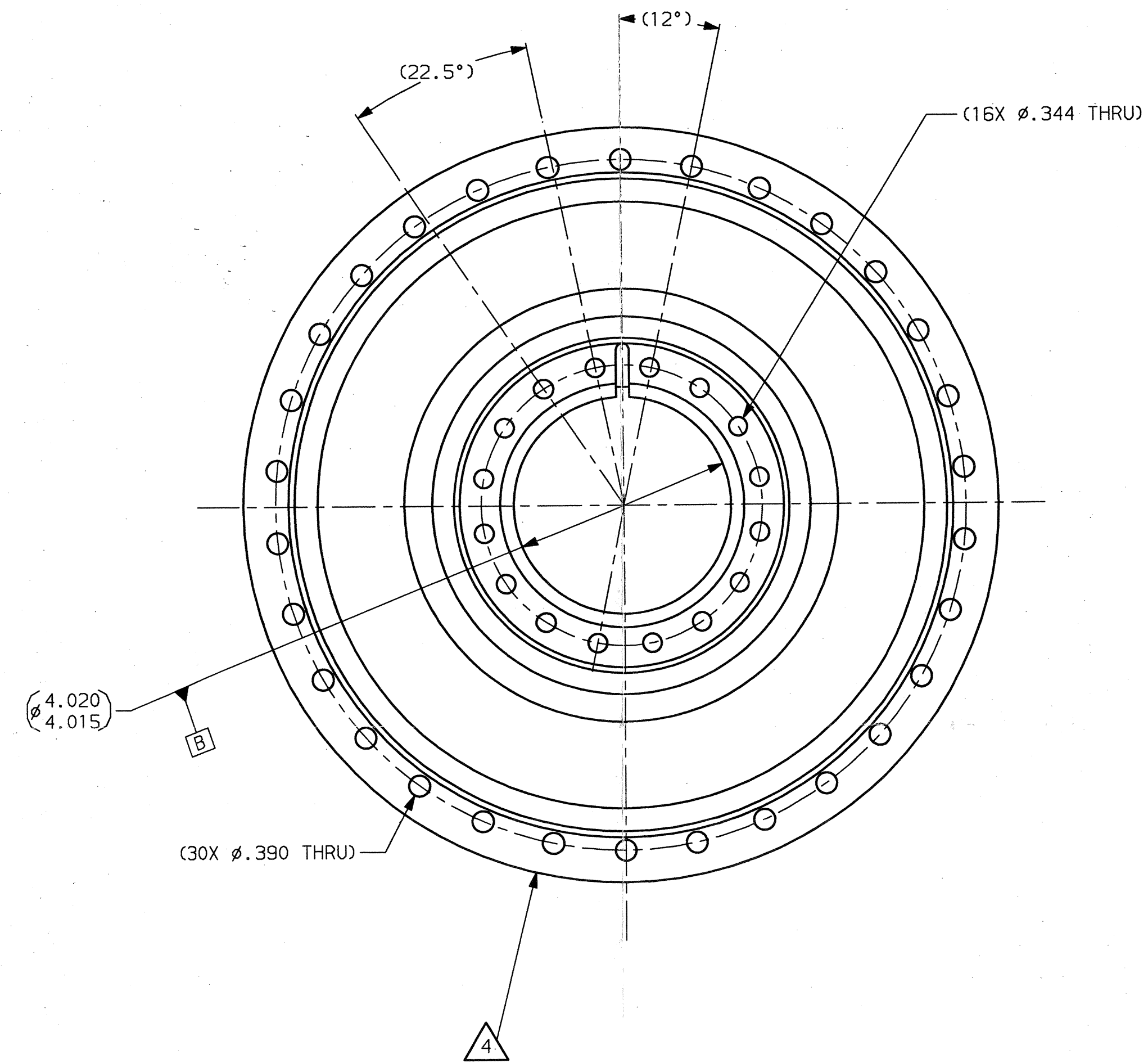


REVISION HISTORY			
REV	DESCRIPTION	DATE	APPD



5. RECORD COMPONENT PART SERIAL NUMBERS FOR TRACEABILITY

4 VIBROPEEN "D972611-1 S/N XXX-SFX" APPROX. WHERE INDICATED, USING .12 HIGH CHARACTERS.

3. CLEAN AND PACKAGE PER MPP-C024

2. BELLOWS DATA:

O.D.: 11.000  
 I.D.: 9.500  
 MAT'L: AM-350  
 CONV'S: 40  
 LIFE: 2000 CYCLES  
 STROKE: AXIAL ±.449  
 LATERAL ±.575  
 TWIST ±.035°

1. HELIUM LEAK TIGHT 1 X 10<sup>-9</sup> SCC/SEC PER MPP-L009

NOTES:

REQD	RECD	RECD	RECD	CAGE CODE No.	DWG SIZE	PART NO.	DESCRIPTION	MATERIAL	SPECIFICATION	IT.
1				X		47288-100-1	END FITTING	304L		3
1				A		47292	CAPSULE	AM-350		2
1				C		47288-10	FLANGE S/A	304L		1

RECD RECD RECD RECD CAGE CODE No. DWG SIZE PART NO. DESCRIPTION MATERIAL SPECIFICATION IT.

CUST. DWG. NO. D972611, REV.0 PARTS LIST

DO NOT USE SULFUR, SILICON OR CHLORIDE BASE CUTTING OILS.

TOLERANCES UNLESS OTHERWISE SPECIFIED

DECIMALS .XXX = ± .005 ANGLES ± 1/2° .005

.XX = ± .010

ALL DIMENSIONS ARE IN INCHES MACHINED SURFACES AND DIAMETERS 63/ BURR FREE PER ES-1018-5 FILLET RADII .010 - .020 BREAK CORNERS .005 - .010 INTERPRET DRAWING PER ASME Y14.5M 1994 DRILLED HOLE TOLERANCES PER AND10387 THREADS PER FEDERAL STANDARD H28

DRWN	PSV	12-8-97
CHK.	PTD	12-16-97
ENG.	PTD	12-16-97
MFG.	C.N.	12-16-97
Q.A.	B	12-16-97

MATL SPEC. FINISH SPEC.

SIZE D 07649 DWG. NO. 47288

SCALE 1/2 SHEET 1 OF 1

SENIOR FLEXONICS, INC. METAL BELLOWS DIVISION 1075 PROVIDENCE HIGHWAY SHARON, MA 02067

TITLE BELLOWS ASSY

W160-D970600-00-D