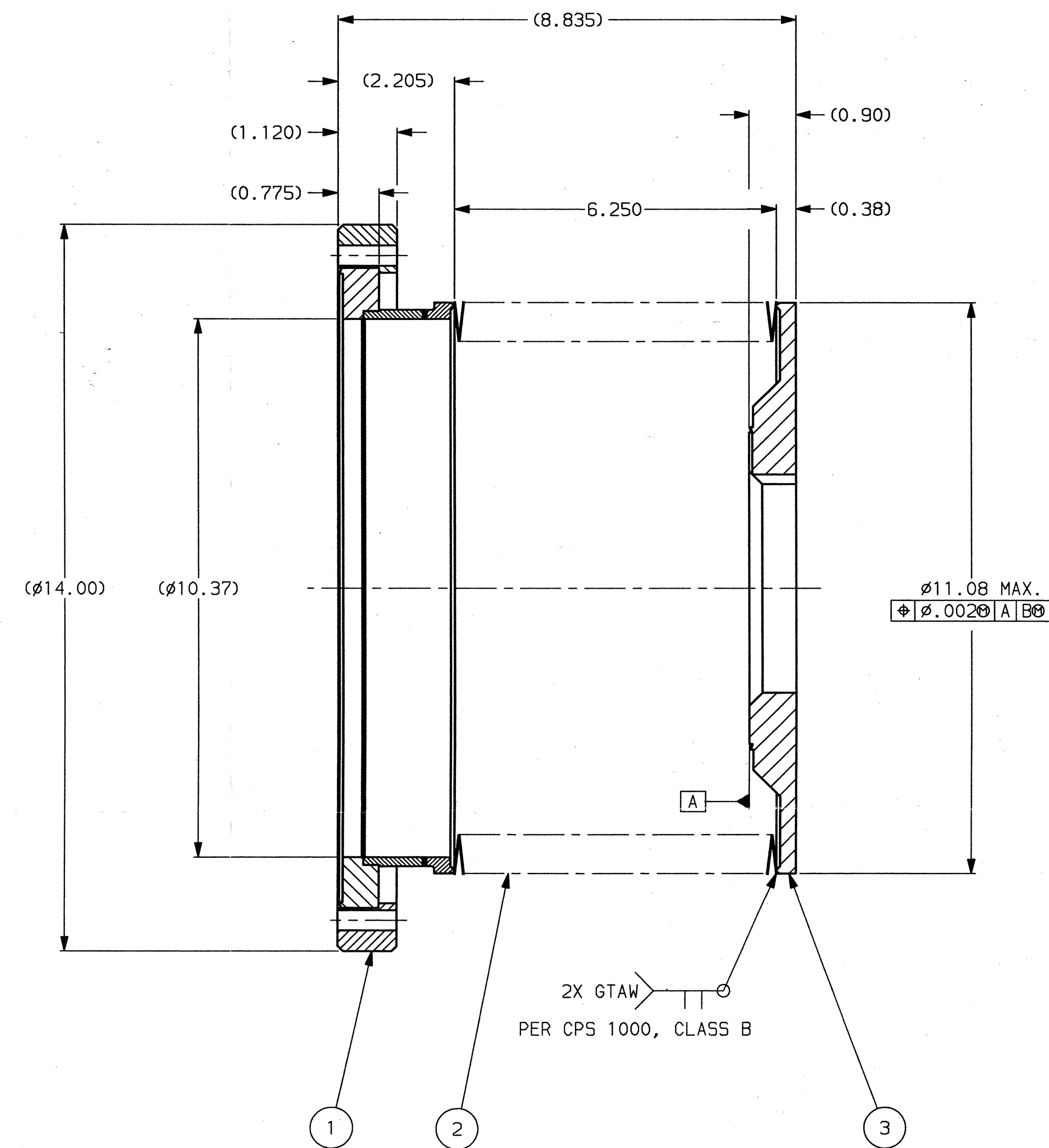
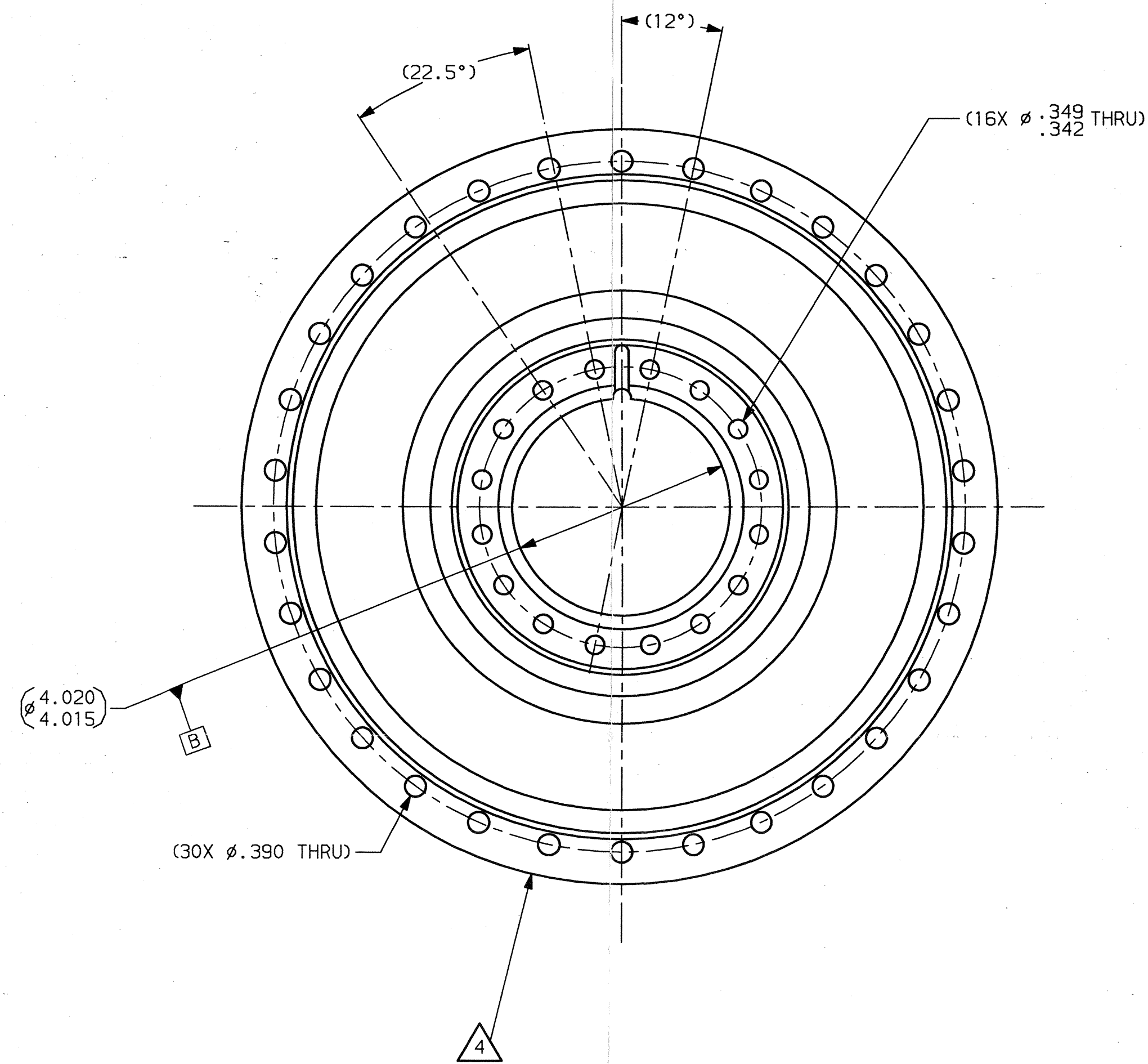


DWG NO. 47288

REVISION HISTORY			
REV	DESCRIPTION	DATE	APPD
A	ECN 32887	1-9-98	PSV [Signature]



5. RECORD COMPONENT PART SERIAL NUMBERS FOR TRACEABILITY

4. VIBROPEEN "D972611-1 S/N XXX-SFX" APPROX. WHERE INDICATED, USING .12 HIGH CHARACTERS.

3. CLEAN AND PACKAGE PER MPP-C024

2. BELLOWS DATA:

O.D.: 11.000
 I.D.: 9.500
 MAT'L: AM-350
 CONV'S: 40
 LIFE: 2000 CYCLES
 STROKE: AXIAL ±.449
 LATERAL ±.575
 TWIST ±.035°

1. HELIUM LEAK TIGHT 1 X 10⁻⁹ SCC/SEC PER MPP-L009

NOTES:

REQD	REQD	REQD	REQD	CAGE CODE NO.	DWG SIZE	PART NO.	DESCRIPTION	MATERIAL	SPECIFICATION	IT.
1		X				47288-100-1	END FITTING	304L		3
1		A				47292	CAPSULE	AM-350		2
1		C				47288-10	FLANGE S/A	304L		1

CUST. DWG. NO. D972611, REV.B

DRWN	CHK.	ENG.	MFG.	Q. A.	MATL SPEC.	FINISH SPEC.
PSV	PLD	PLD	CH	BB		

DO NOT USE SULFUR, SILICON OR CHLORIDE BASE CUTTING OILS.

TOLERANCES UNLESS OTHERWISE SPECIFIED
 DECIMALS
 .XXX = ± .005 ANGLES ± 1/2° [0.005]
 .XX = ± .010

ALL DIMENSIONS ARE IN INCHES
 MACHINED SURFACES AND DIAMETERS 63/
 BURR FREE PER ES-1018-5
 FILLET RADI .010 - .020
 BREAK CORNERS .005 - .010
 INTERPRET DRAWING PER ASME Y14.5M 1994
 DRILLED HOLE TOLERANCES PER AND10387
 THREADS PER FEDERAL STANDARD H28

73484

7 SENIOR FLEXONICS INC. SENIOR FLEXONICS, INC. METAL BELLOWS DIVISION 1075 PROVIDENCE HIGHWAY SHARON, MA 02067

TITLE: BELLOWS ASSY (HAM)

SIZE: D 07649 DWG. NO.: 47288 REV. A

SCALE: 1/2 SHEET 1 OF 1

L160-D970600-R-D1