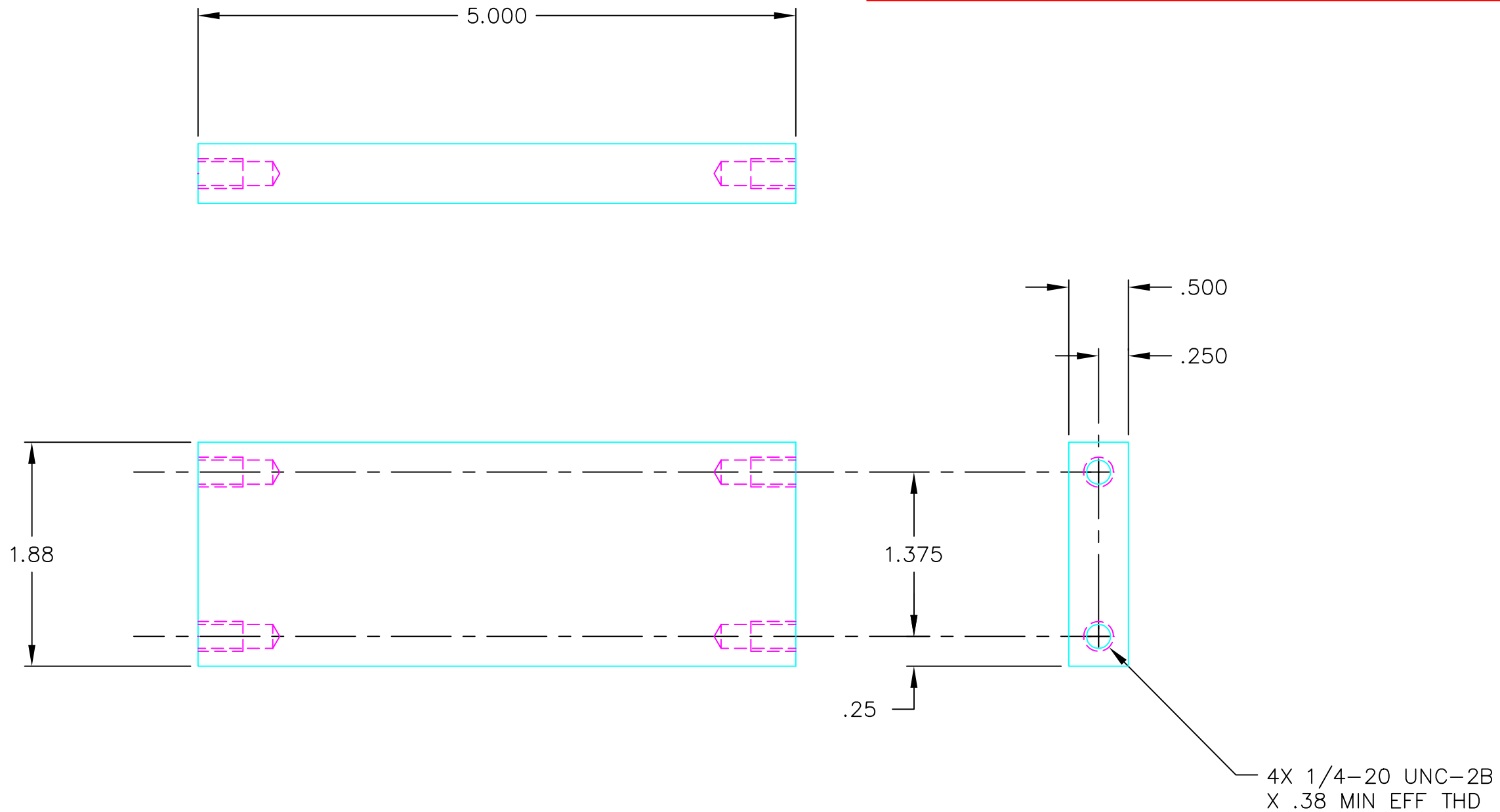


REVISIONS				
LTR	REL DATE	DESCRIPTION	APPR	DATE
A		DCN E030398-00		



UNLESS OTHERWISE SPECIFIED DIMENSIONS ARE INCHES TOLERANCES ON FRACTIONS DECIMALS ANGLES $\pm 1/16$ $.XX \pm .010$ $\pm 1/2^\circ$ $.XXX \pm .005$ BREAK ALL SHARP EDGES .005 TO .015 MAX. AND DEBURR	DRAWN	3/16/97	CC DESIGN DEVELOPMENT	
	CHECKED		310-534-5620	TORRANCE CA
	DESIGN APPROVAL		TITLE	
	PROJECT APPROVAL		BLOCK, RISER, NEST PLUG	
MATERIAL	FINISH	SIZE	DWG NO.	
6061-T6 ALUMINUM	BLACK ANODIZE	B	D970624	3203
		SCALE FULL	QTY 4	SHEET 1 OF 1