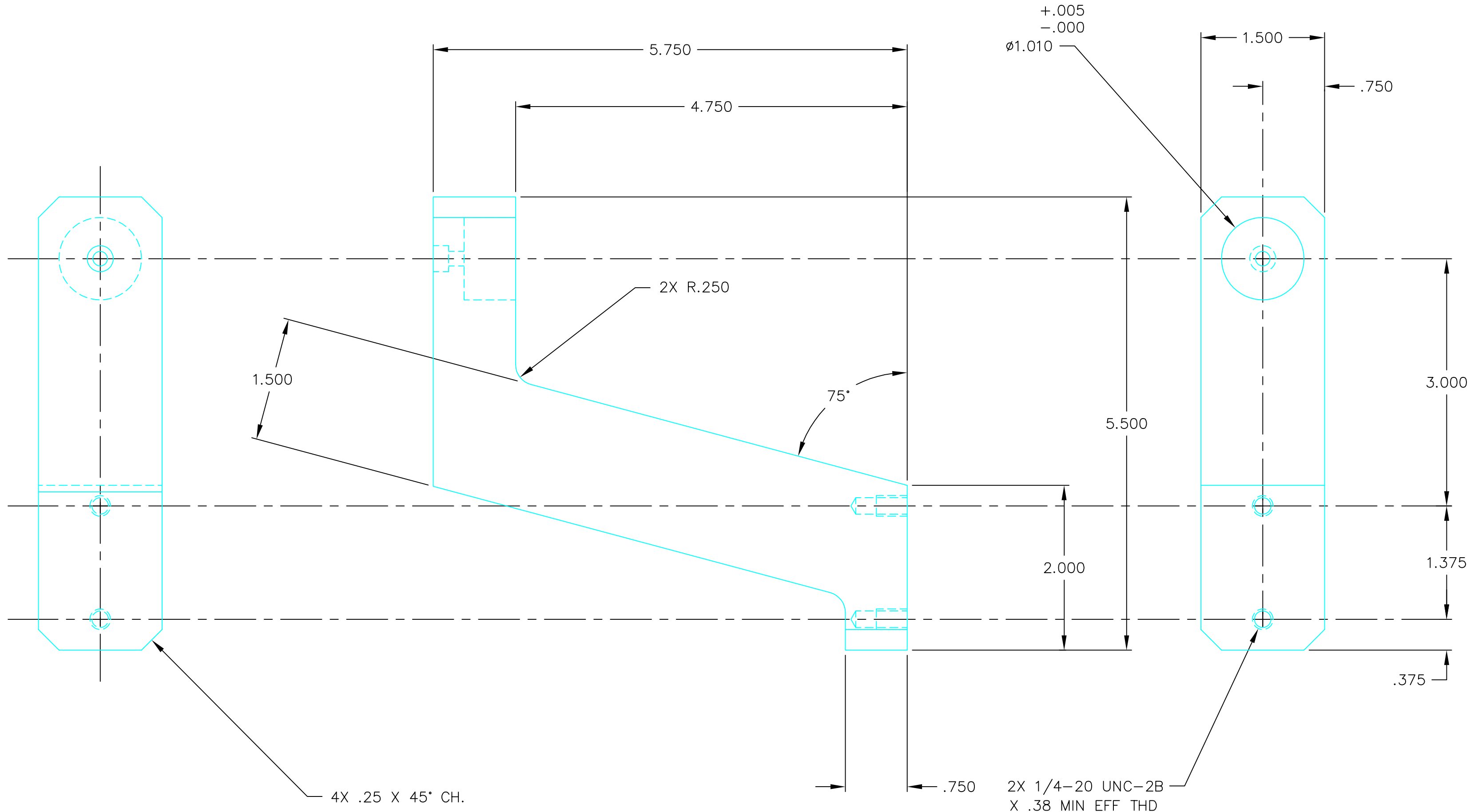


REVISIONS				
LTR	REL DATE	DESCRIPTION	APPR	DATE
A		DCN E030398-00		



UNLESS OTHERWISE SPECIFIED DIMENSIONS ARE INCHES		DRAWN IVANHOE	3/15/97	CC DESIGN DEVELOPMENT	
TOLERANCES ON FRACTIONS DECIMALS ANGLES $\pm 1/16$ $\pm .005$ $\pm 1/2^\circ$		CHECKED		310-534-5620 TORRANCE CA	
BREAK ALL SHARP EDGES .005 TO .015 MAX. AND DEBURR		DESIGN APPROVAL		TITLE BRACKET, LIFT, ROUND PLUG	
MATERIAL 6061-T6 ALUMINUM		PROJECT APPROVAL		SIZE C	DWG NO. D970633
		FINISH BLACK ANODIZE		QTY 1	SHEET 1 OF 1