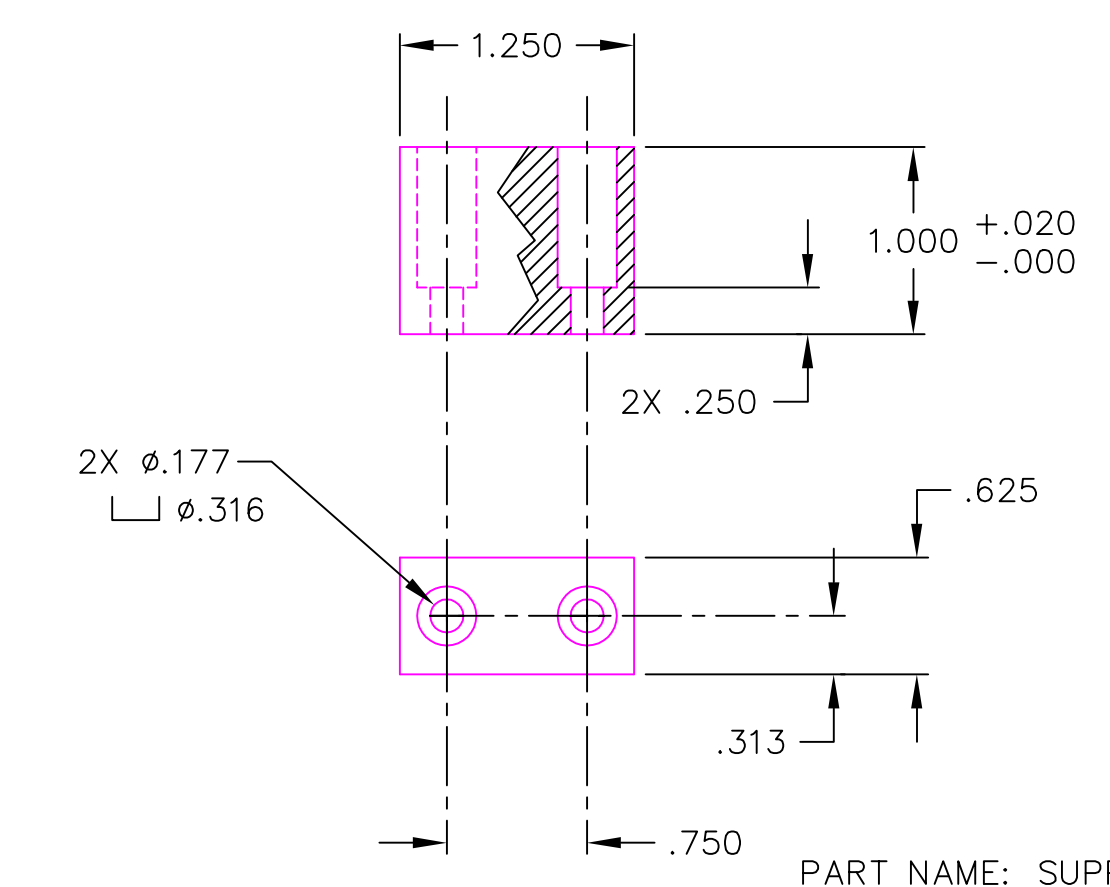
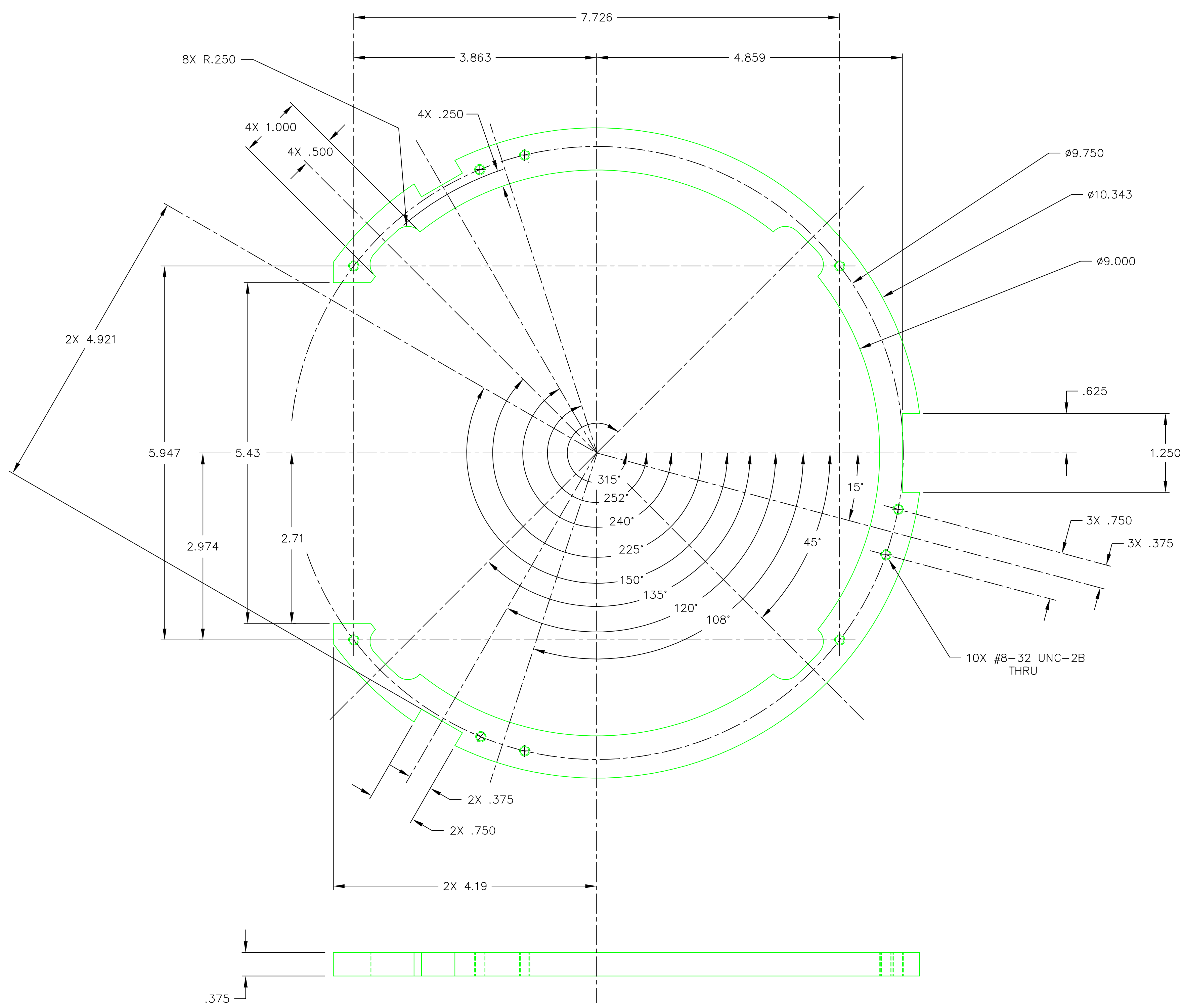


| REVISIONS | | | | |
|-----------|----------|----------------|------|------|
| LTR | REL DATE | DESCRIPTION | APPR | DATE |
| A | | DCN E030398-00 | | |

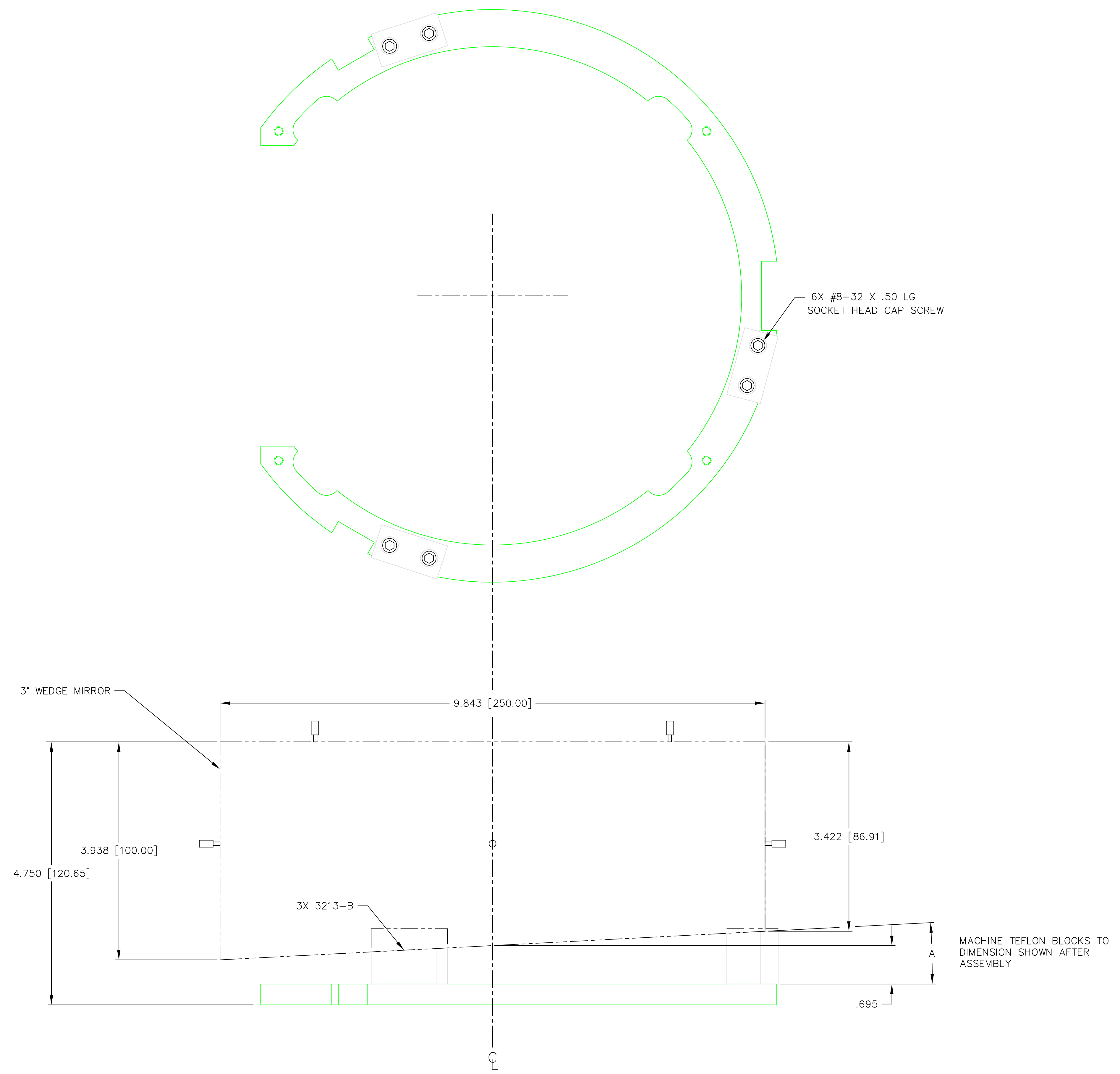


PART NAME: SUPPORT BLOCK, MIRROR
 PART NO. 3213-B
 MATERIAL: TEFLON
 QUAN: 3

PART NAME: RING, MIRROR SUPPORT
 PART NO. 3213-A
 MATERIAL: 6061-T6 ALUMINUM
 QUAN: 1

| | | | | |
|---|------------------|---------|---|--------------------|
| UNLESS OTHERWISE SPECIFIED DIMENSIONS ARE INCHES TOLERANCES ON FRACTIONS DECIMALS ANGLES ± 1/16 ± .005 ± 1/2° BREAK ALL SHARP EDGES .005 TO .015 MAX. AND DEBURR | DRW IVANHOE | 3/18/97 | CC DESIGN DEVELOPMENT 310-534-5620 TORRANCE CA | |
| | CHECKED | | TITLE ASSY, RING, MIRROR SUPPORT | |
| MATERIAL NOTED | DESIGN APPROVAL | | SIZE D | DWG NO. D970635 |
| | PROJECT APPROVAL | | SCALE FULL | QTY 1 |
| | | | | SHEET 1 OF 2 |

| REVISIONS | | | | |
|-----------|----------|----------------|------|------|
| LTR | REL DATE | DESCRIPTION | APPR | DATE |
| A | | DCN E030398-00 | | |



| ANGLE | DASH NO. |
|-------|----------|
| 3° | -01 |
| | -02 |
| | -03 |
| | -04 |

| | | | |
|----------------------------|---------|--------------|--|
| CC DESIGN DEVELOPMENT | | TORRANCE CA | |
| 310-534-5620 | | | |
| TITLE | | | |
| ASSY, RING, MIRROR SUPPORT | | | |
| 3° WEDGE ANGLE | | | |
| SIZE | DWG NO. | | |
| D | D970635 | 3213 | |
| SCALE FULL | QTY 1 | SHEET 2 OF 2 | |