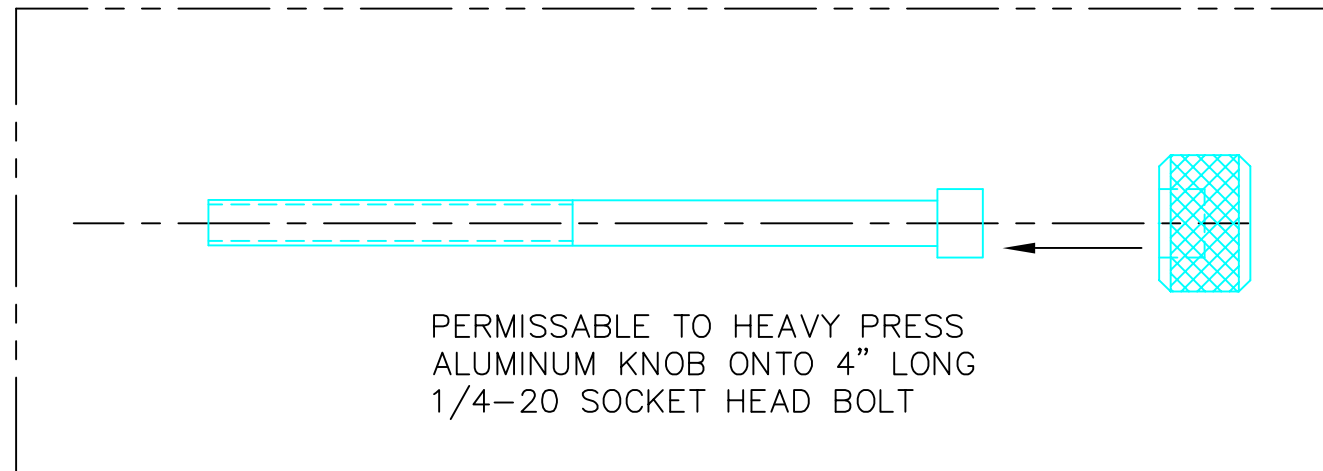
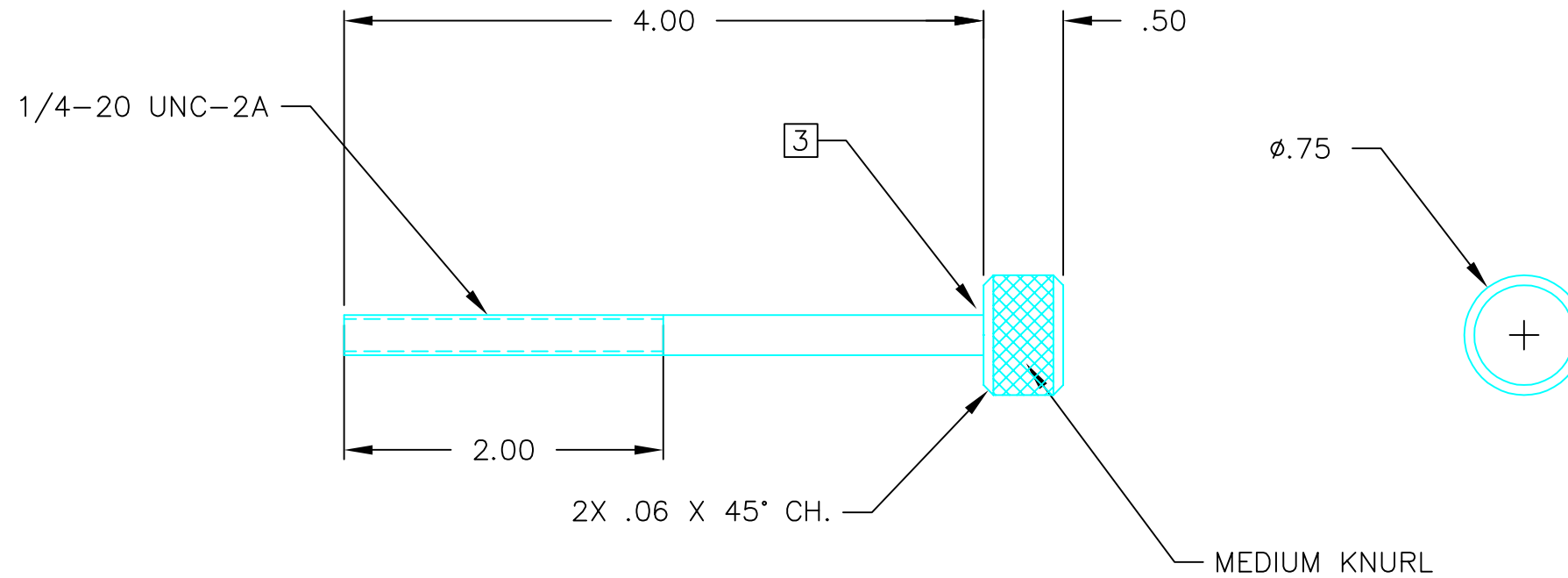


REVISIONS				
LTR	REL DATE	DESCRIPTION	APPR	DATE
A		DCN E030398-00		



NOTE:

1. MATERIAL FOR KNOB: 6061-T6 ALUMINUM.
2. MATERIAL FOR BOLT: 303 STAINLESS STEEL.
- [3] HEAVY PRESS BOLT INTO ALUMINUM KNOB
4. BLACK ANODIZE KNOB PRIOR TO PRESSING INTO BOLT (DO NOT SEND TO ANODIZE ASSEMBLED)  
(DO NOT ANODIZE BOLT)

UNLESS OTHERWISE SPECIFIED DIMENSIONS ARE INCHES		DRAWN IVANHOE	3/20/97	CC DESIGN DEVELOPMENT	
TOLERANCES ON FRACTIONS DECIMALS ANGLES ± 1/16 .XX ± .010 ± 1/2° BREAK ALL SHARP EDGES .005 TO .015 MAX. AND DEBURR		CHECKED		310-534-5620 TORRANCE CA	
MATERIAL		DESIGN APPROVAL		TITLE	
NOTED		PROJECT APPROVAL		SCREW, C'BALANCE, SPRING	
FINISH		NOTED		SIZE B	DWG NO. D970640
				3220	
				SCALE FULL	QTY 1 SHEET 1 OF 1