

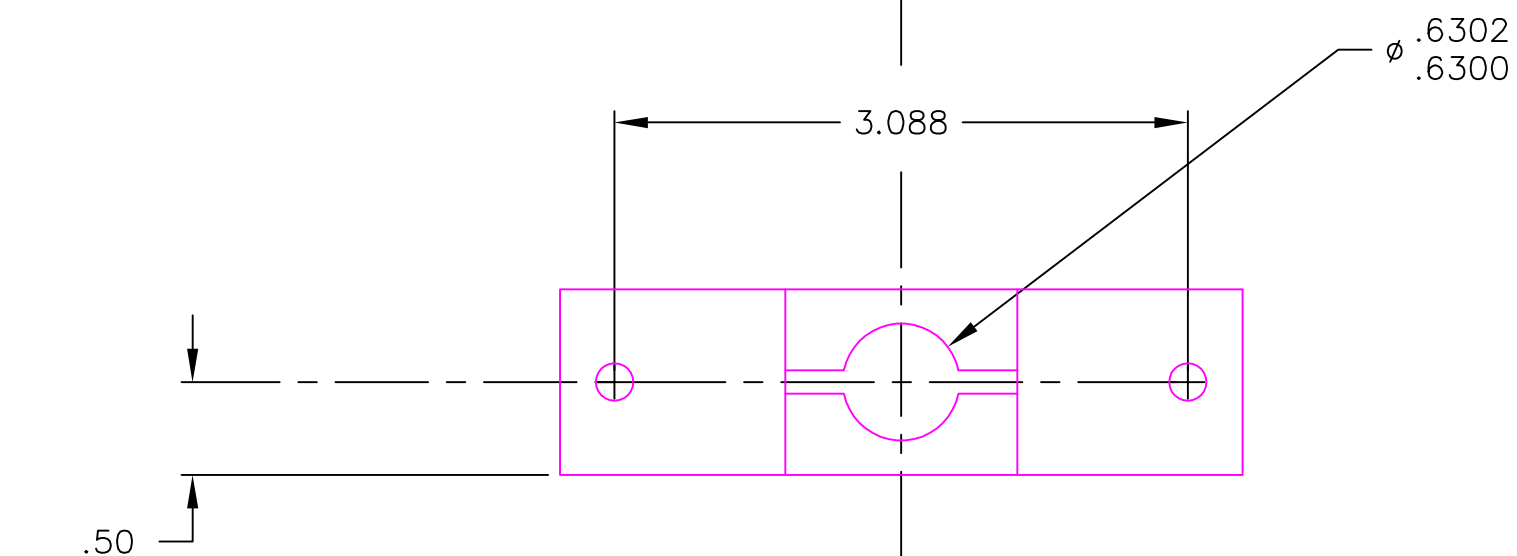
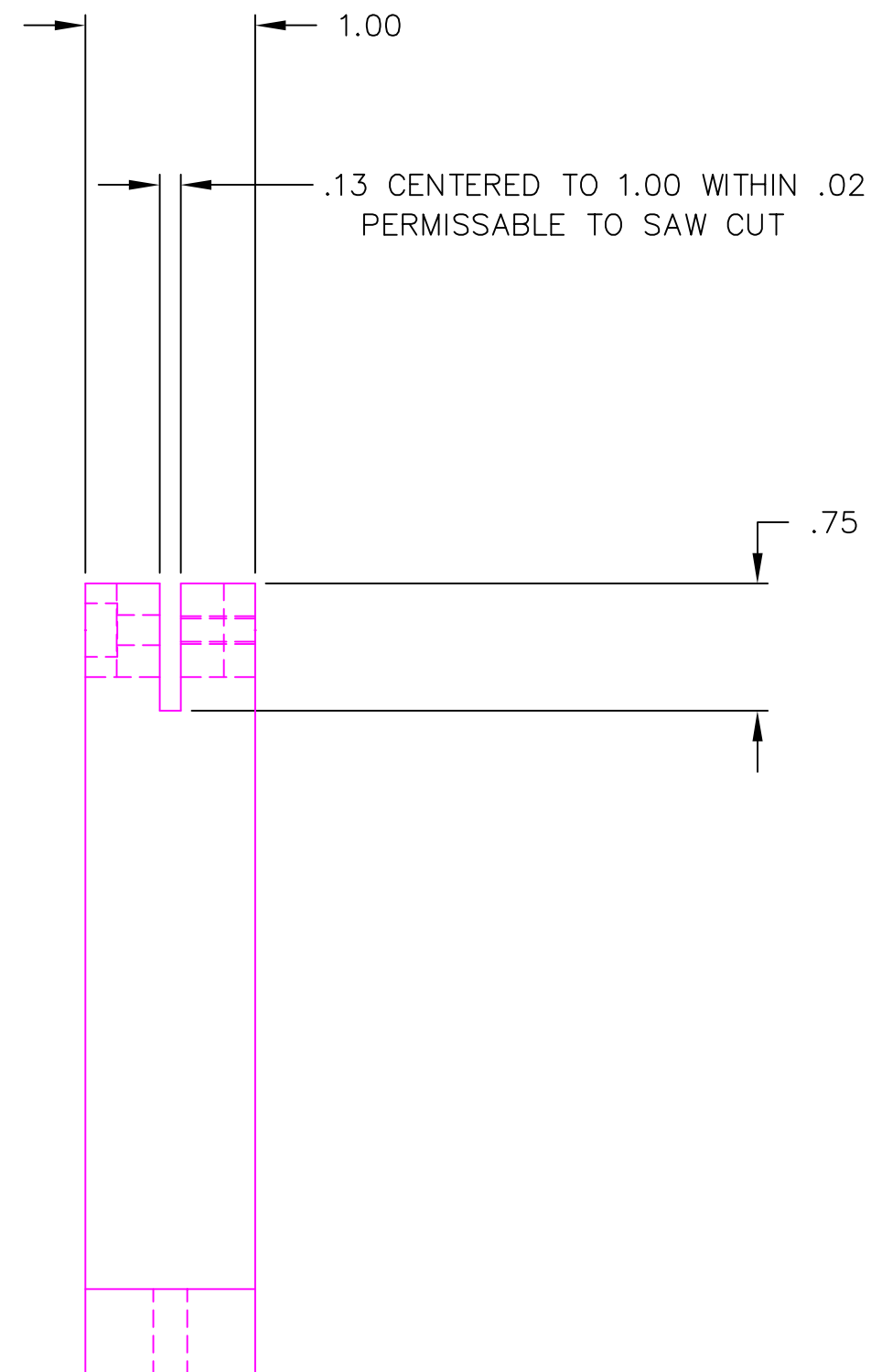
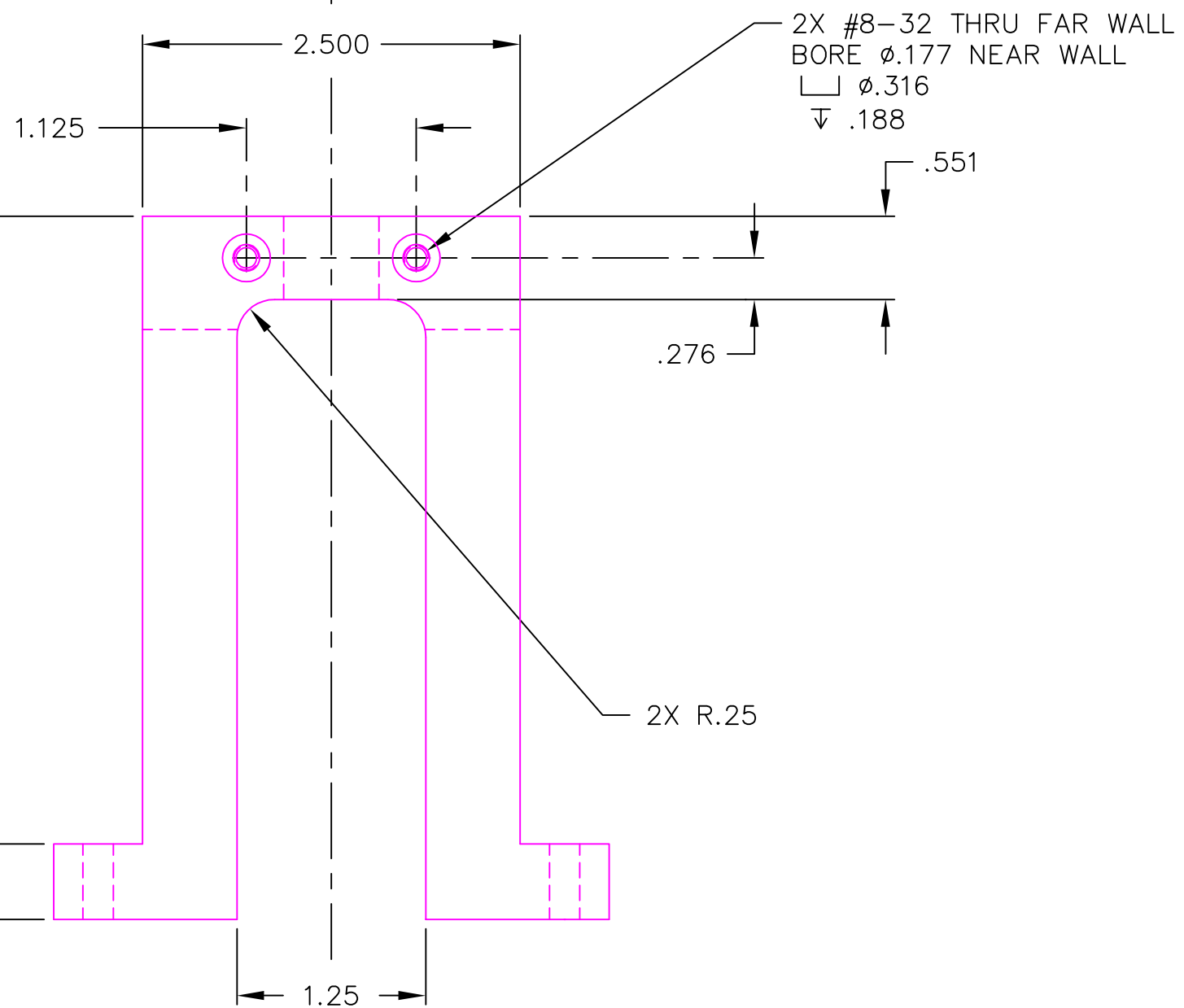
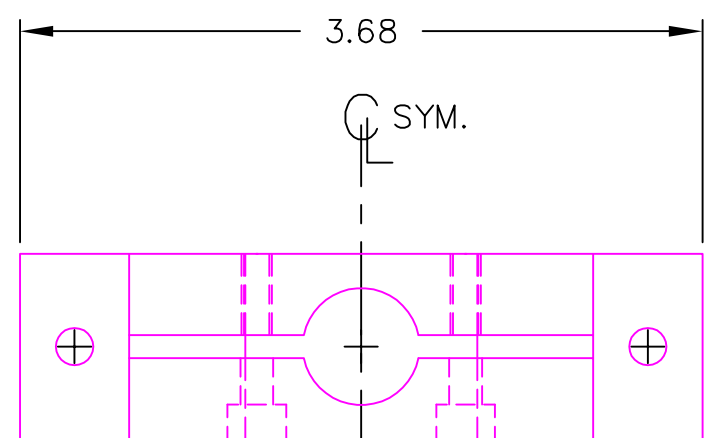
A

B

C

D

REVISIONS				
LTR	REL DATE	DESCRIPTION	APPR	DATE
A		DCN E030398-00		



NOTE:
 ① MASK ALL TAPPED HOLES PRIOR TO ANODIZING.

UNLESS OTHERWISE SPECIFIED DIMENSIONS ARE INCHES	DRAWN	3/18/97	CC DESIGN DEVELOPMENT	
	CHECKED		310-534-5620	TORRANCE CA
TOLERANCES ON FRACTIONS ON DECIMALS ANGLES ± 1/16 ± .005 ± 1/2°	DESIGN APPROVAL		TITLE	
BREAK ALL SHARP EDGES .005 TO .015 MAX. AND DEBURR	PROJECT APPROVAL		HOLDER, MICROMETER HEAD	
MATERIAL	FINISH		SIZE	DWG NO.
6061-T6 ALUMINUM	BLACK ANODIZE ①		C	D970641 3221
			SCALE FULL	QTY 1 SHEET 1 OF 1

A

B

C

D