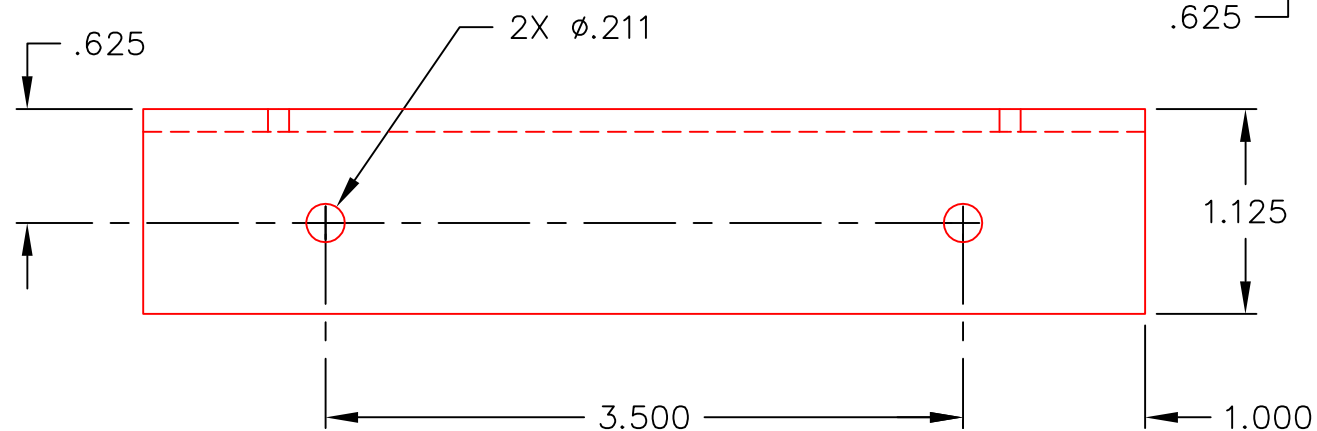
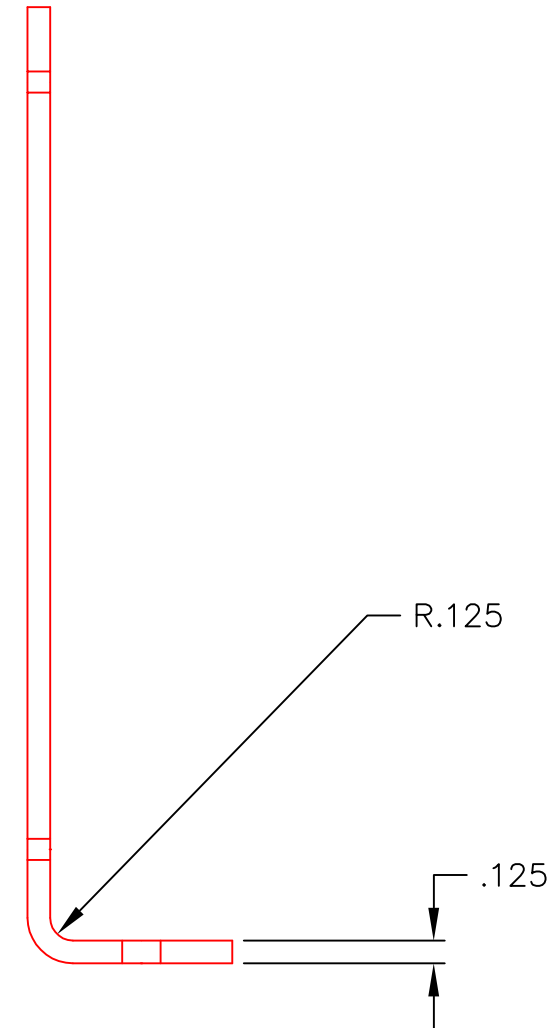
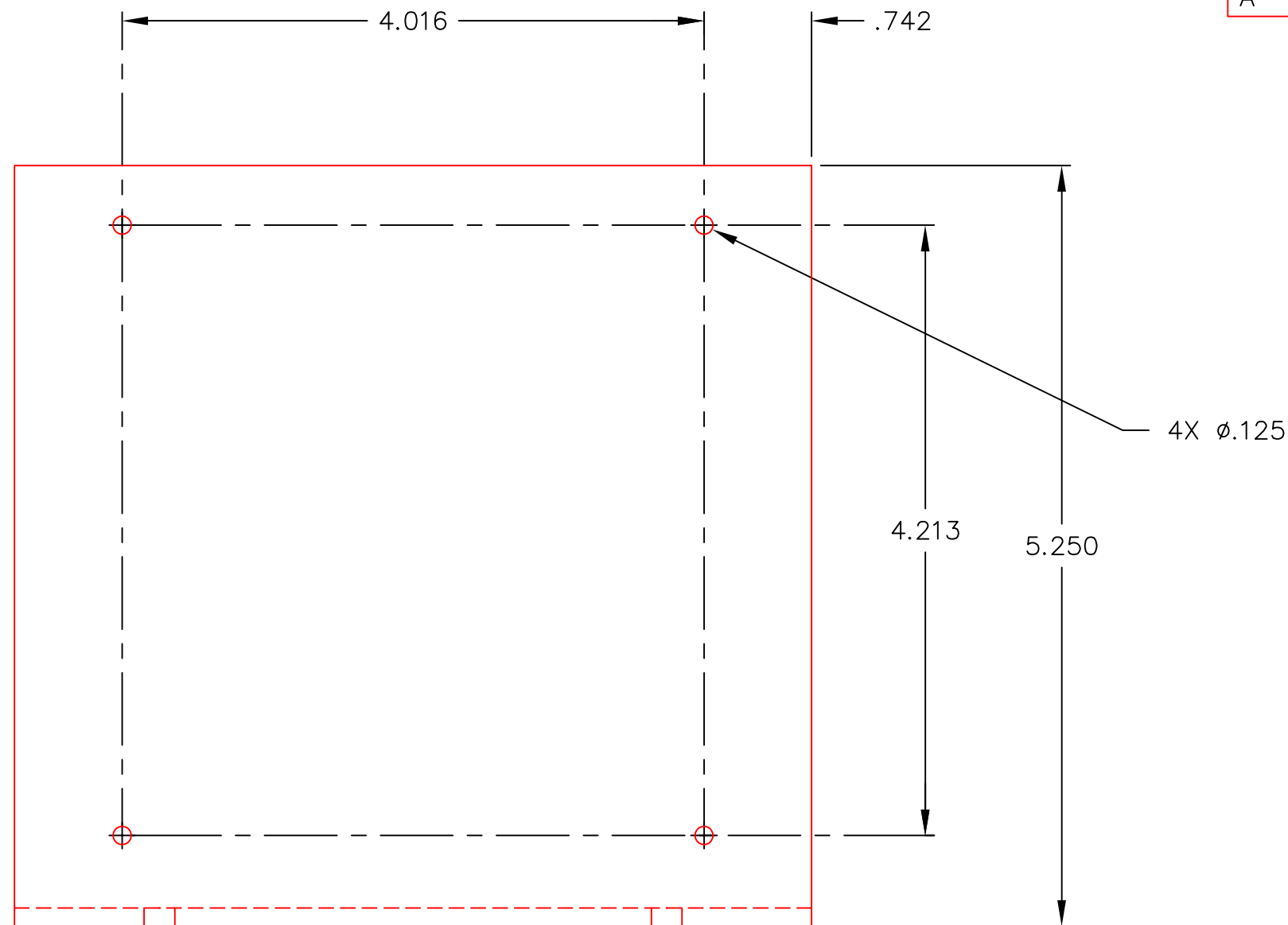


REVISIONS				
LTR	REL DATE	DESCRIPTION	APPR	DATE
A		DCN E030398-00		



UNLESS OTHERWISE SPECIFIED
DIMENSIONS ARE INCHES

TOLERANCES ON
FRACTIONS DECIMALS ANGLES
± 1/16 .XX ± .010 ± 1/2°
BREAK ALL SHARP EDGES .005 TO .015
MAX. AND DEBURR

MATERIAL
5052-H32
ALUMINUM

DRAWN
IVANHOE
3/20/97

CHECKED

DESIGN APPROVAL

PROJECT APPROVAL

FINISH
BLACK ANODIZE

CC DESIGN DEVELOPMENT
310-534-5620
TORRANCE CA

TITLE
BRACKET, ENCODER ELECTRONICS

SIZE DWG NO.
B D970646 3227

SCALE FULL QTY 2 SHEET 1 OF 1