

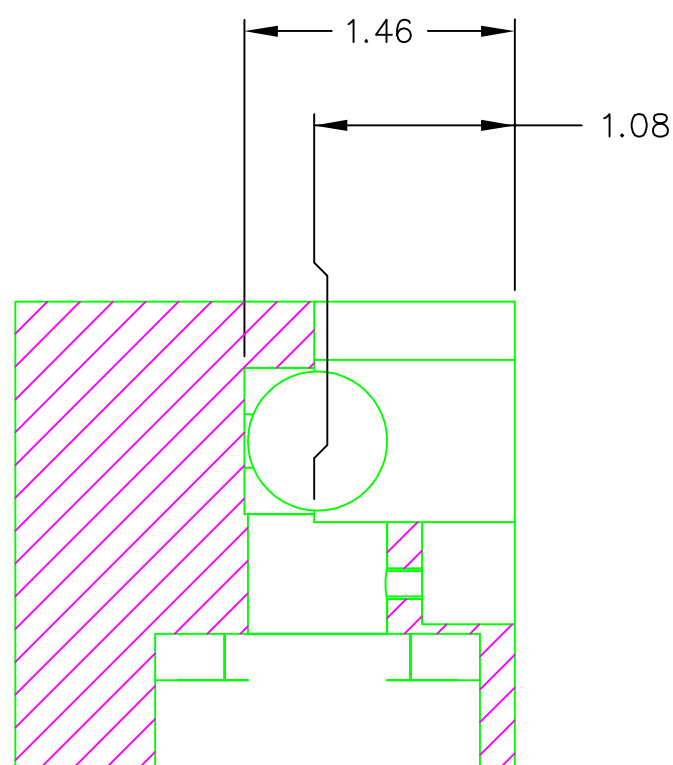
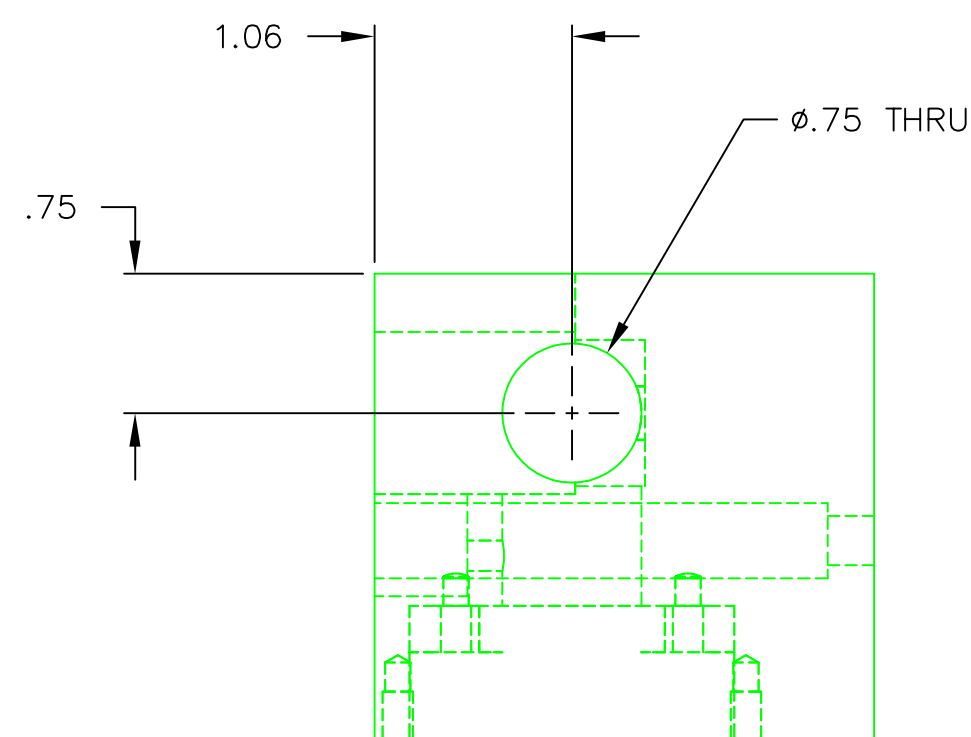
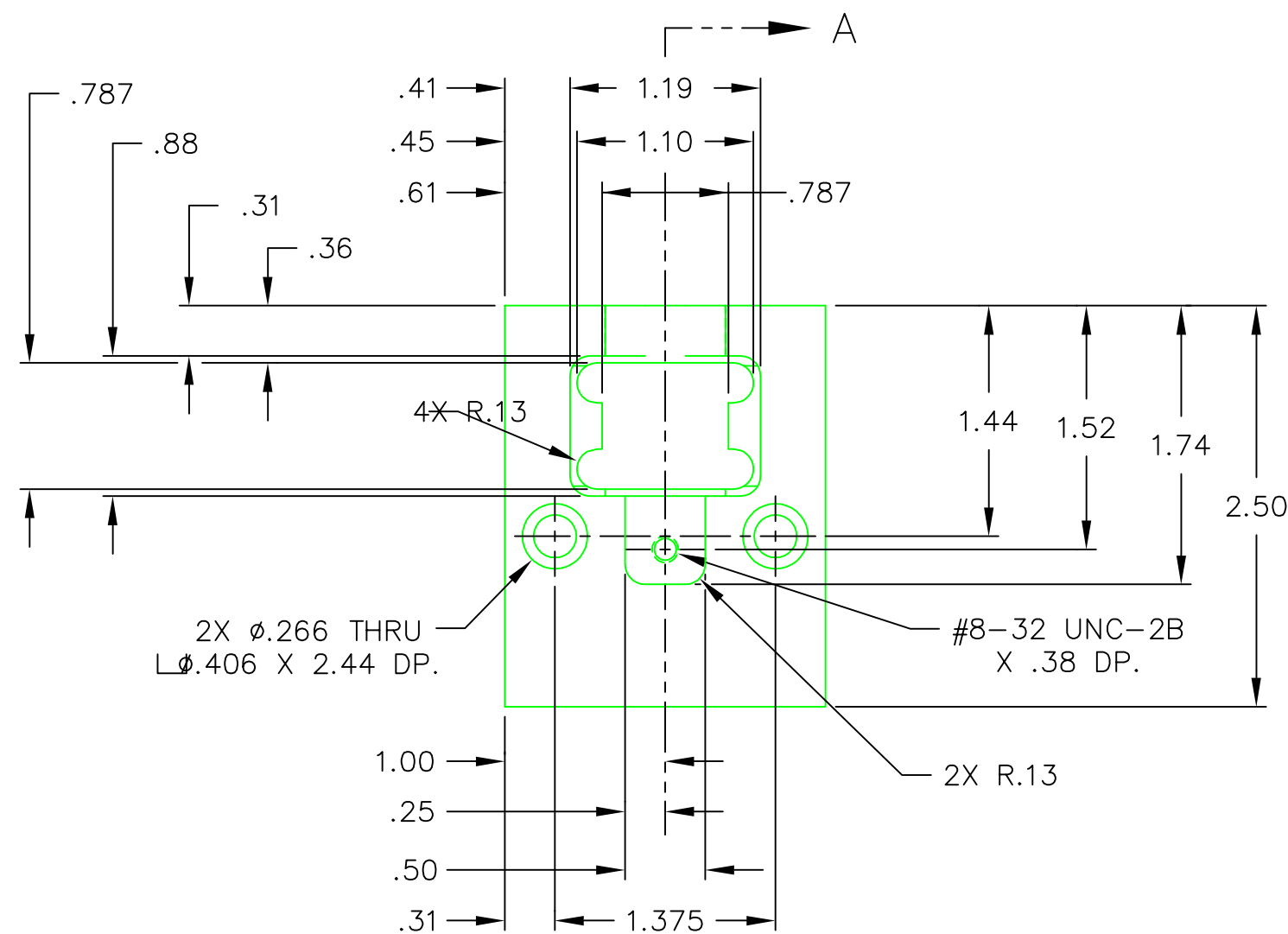
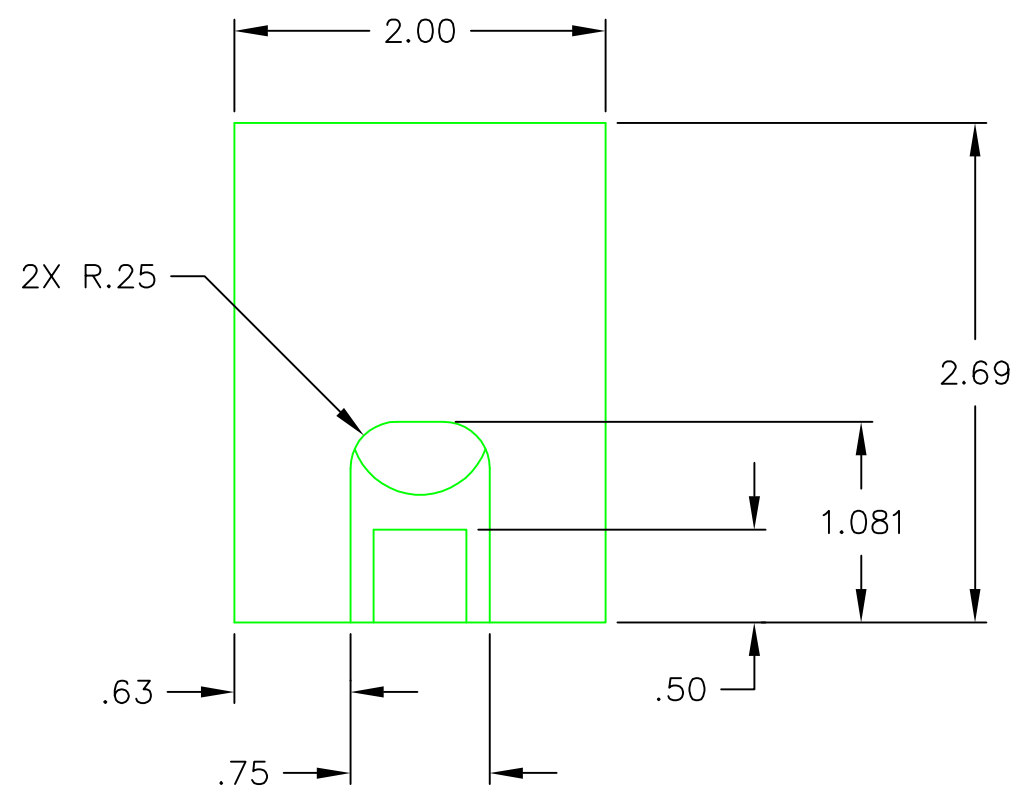
A

B

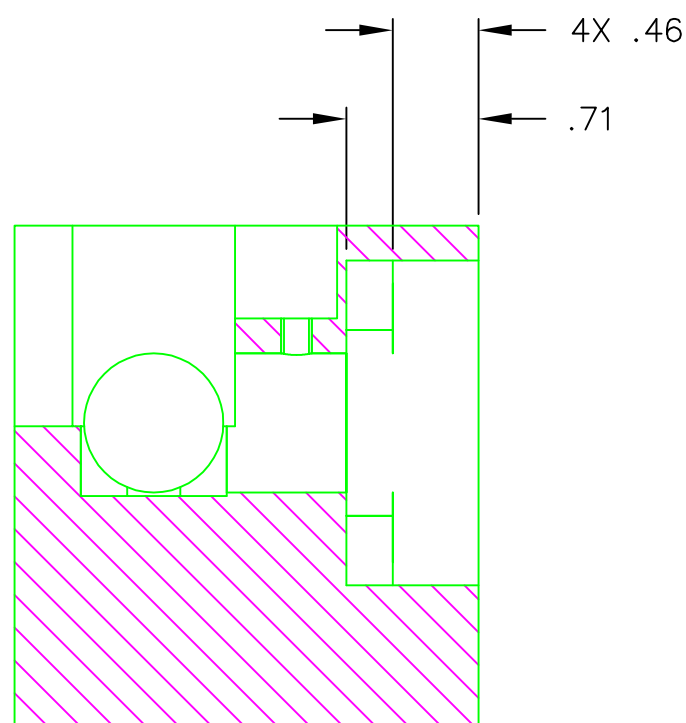
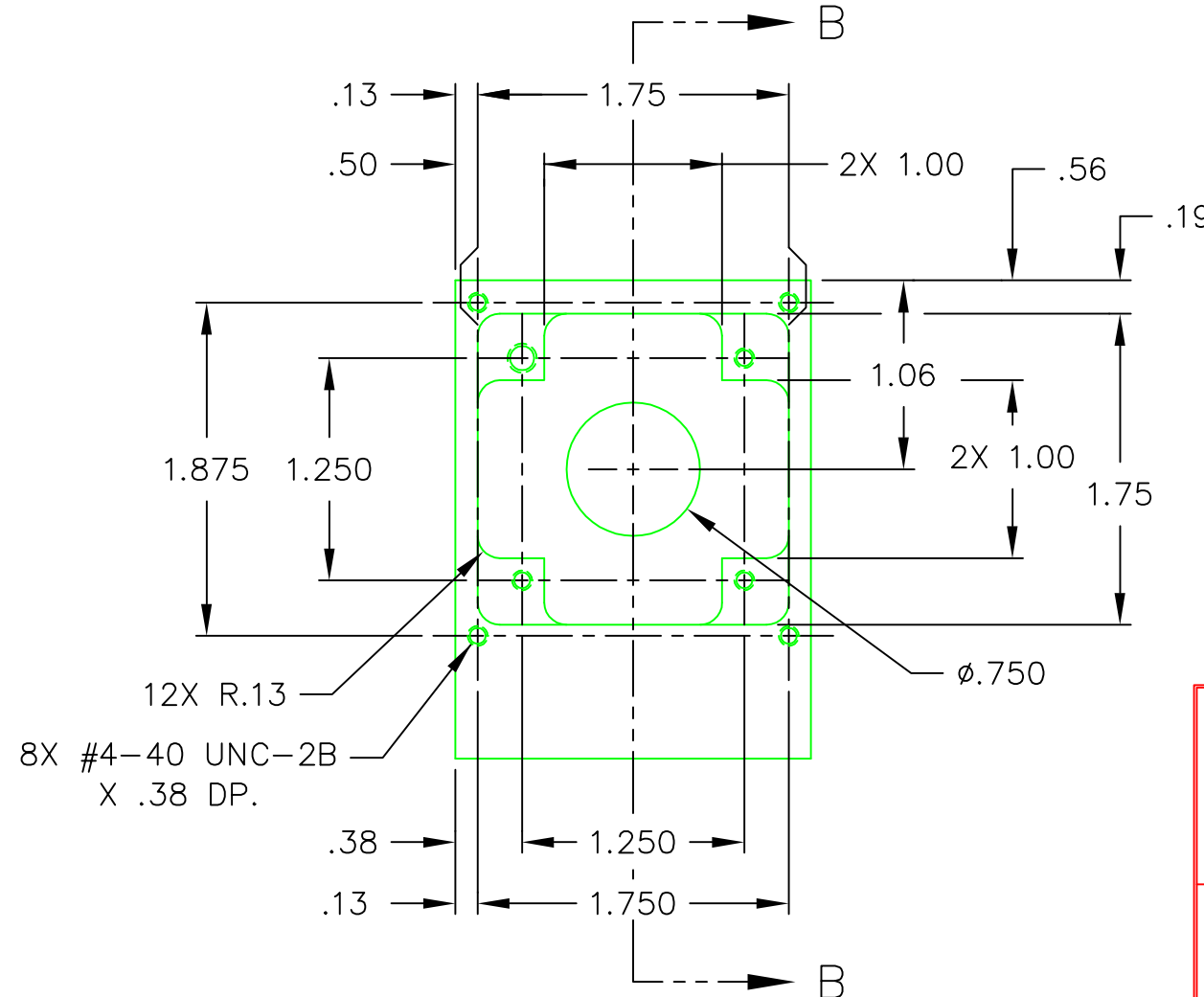
C

D

REVISIONS				
LTR	REL DATE	DESCRIPTION	APPR	DATE
A		DCN E030398-00		



SECTION A



SECTION B-B

UNLESS OTHERWISE SPECIFIED DIMENSIONS ARE INCHES TOLERANCES ON FRACTIONS DECIMALS ANGLES ± 1/16 ± .005 ± 1/2° BREAK ALL SHARP EDGES .005 TO .015 MAX. AND DEBURR	DRAWN	3/26/97	CC DESIGN DEVELOPMENT	
	CHECKED		TORRANCE, CA. (310) 534-5620	
	DESIGN APPROVAL		TITLE	
	PROJECT APPROVAL		BLOCK, BEAMSPLITTER MOUNTING, BASE	
MATERIAL	FINISH	SIZE	DWG NO.	
6061-T6 ALUMINUM	BLACK ANODIZE	C	D970647	3228
		SCALE	QTY	SHEET
		1:1	1	1 OF 1

A

B

C

D