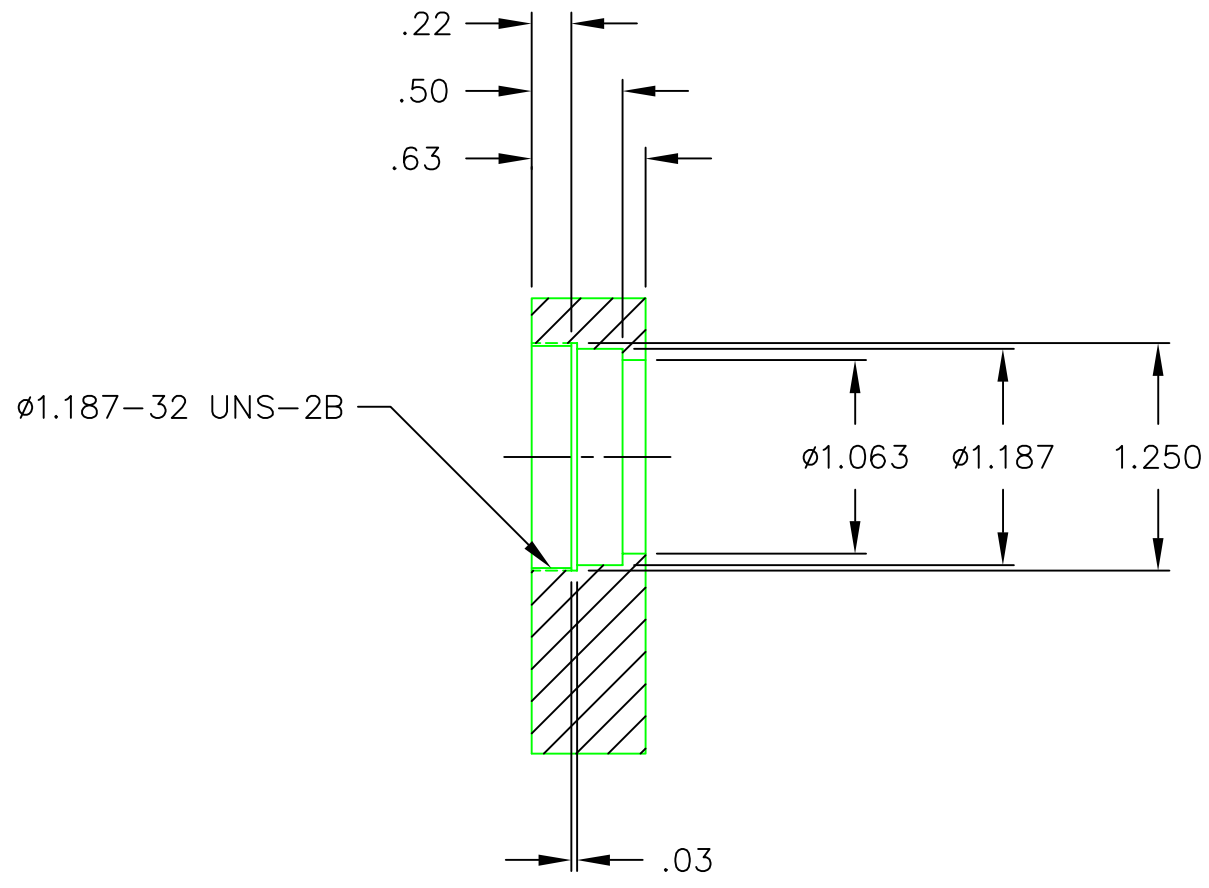
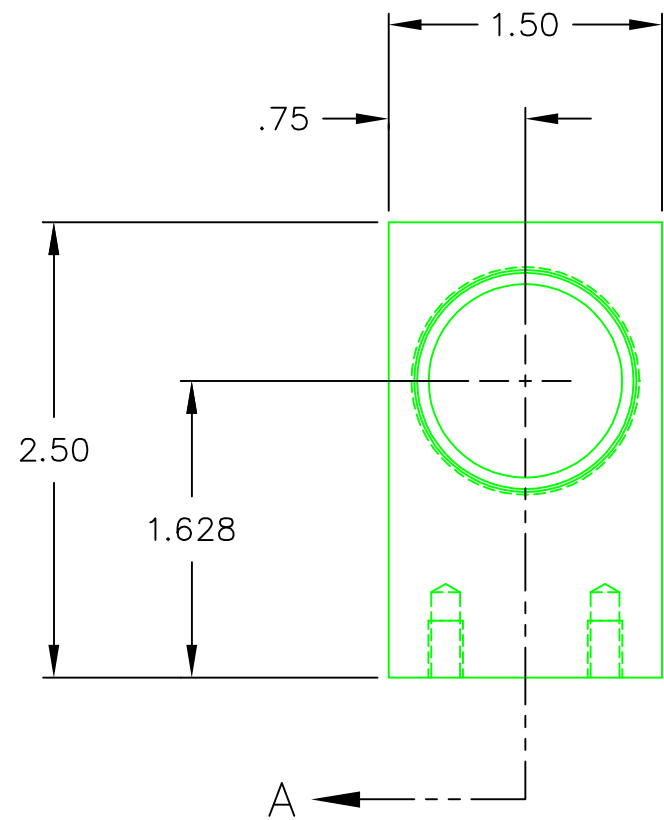
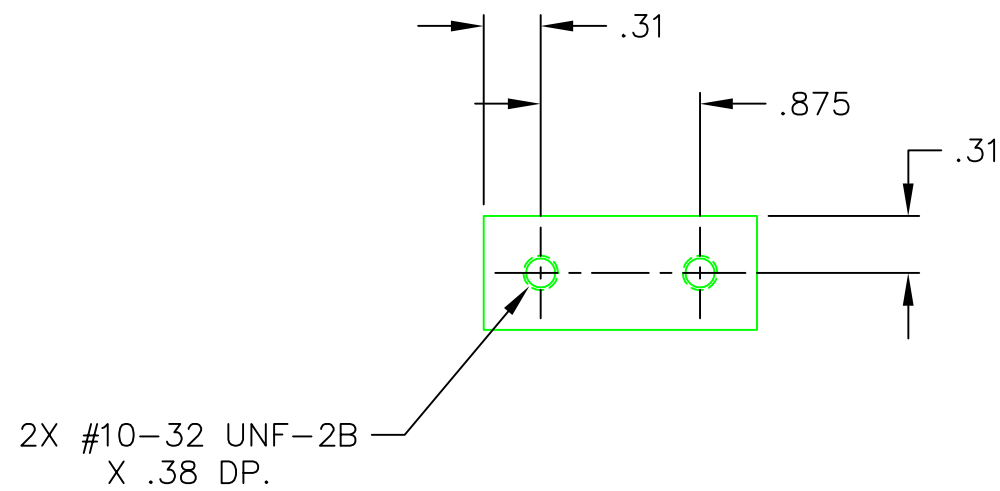


| REVISIONS | | | | |
|-----------|----------|----------------|------|------|
| LTR | REL DATE | DESCRIPTION | APPR | DATE |
| A | | DCN E030398-00 | | |



SECTION A



| | | | | | |
|---|--|------------------|---------|----------------------------------|--------------------|
| UNLESS OTHERWISE SPECIFIED DIMENSIONS ARE INCHES | | DRAWN IVANHOE | 3/27/97 | CC DESIGN DEVELOPMENT | |
| TOLERANCES ON FRACTIONS DECIMALS ANGLES ± 1/16 .XX ± .010 ± 1/2° BREAK ALL SHARP EDGES .005 TO .015 MAX. AND DEBURR | | CHECKED | | TORRANCE, CA. (310) 534-5620 | |
| MATERIAL 6061-T6 ALUMINUM | | DESIGN APPROVAL | | TITLE BRACKET, LENS, LOWER | |
| FINISH BLACK ANODIZE | | PROJECT APPROVAL | | SIZE B | DWG NO. D970652 |
| | | | | 3234 | |
| | | | | SCALE 1:1 | QTY 1 SHEET 1 OF 1 |