

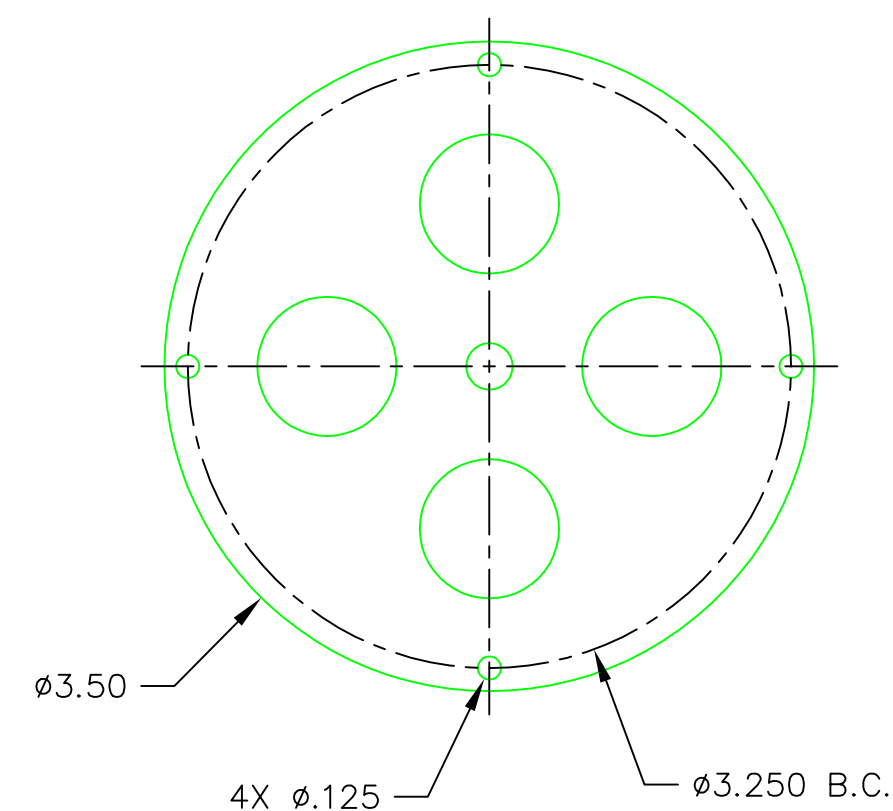
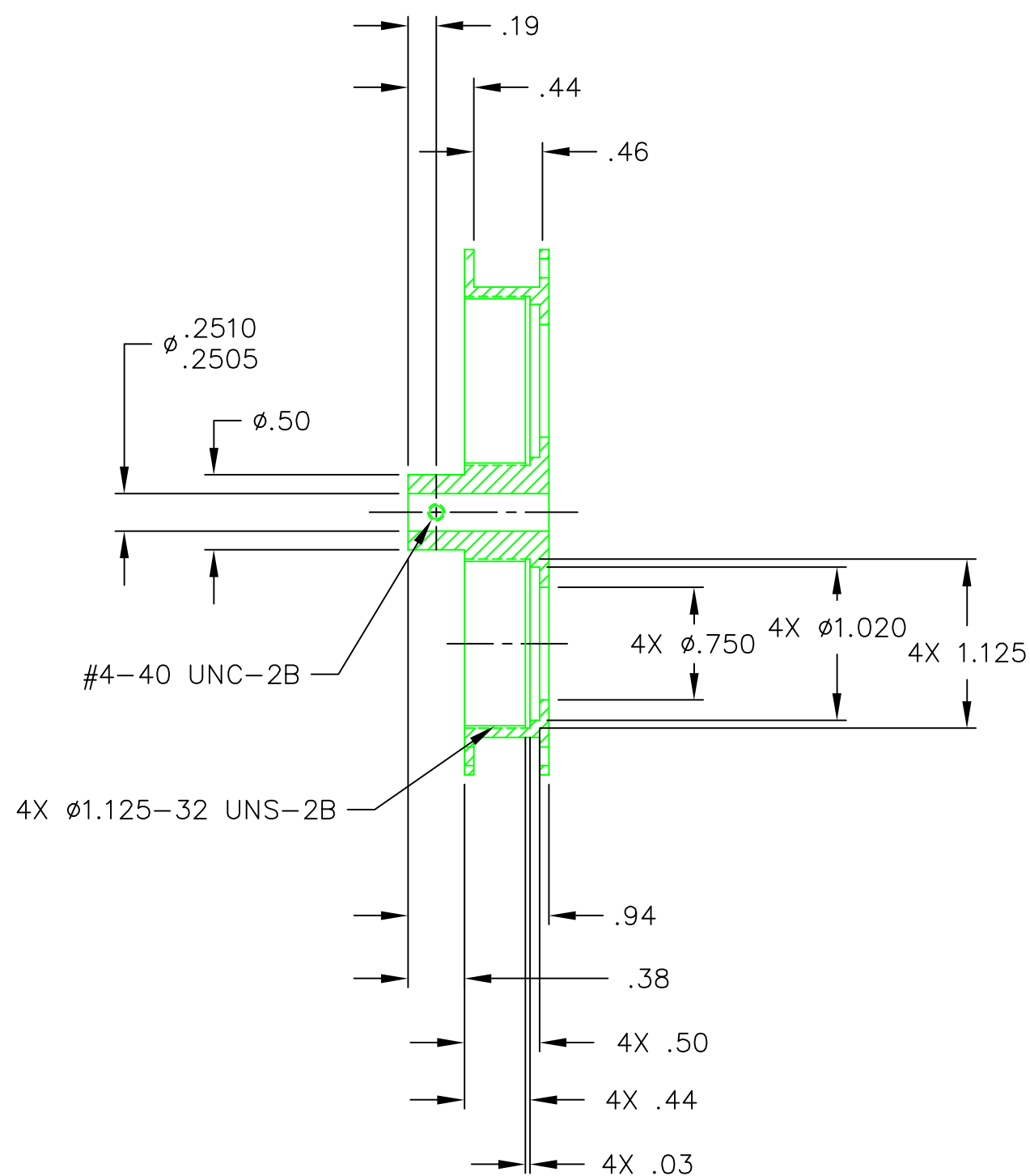
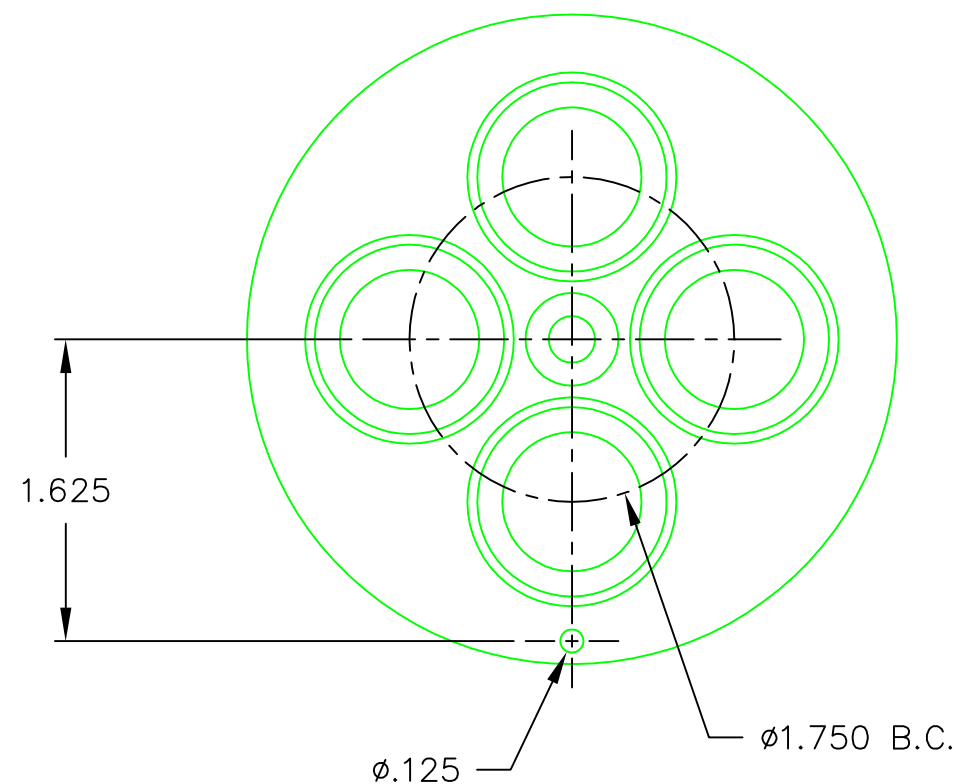
A

B

C

D

REVISIONS				
LTR	REL DATE	DESCRIPTION	APPR	DATE
A		DCN E030398-00		



<small>UNLESS OTHERWISE SPECIFIED DIMENSIONS ARE INCHES</small> <small>TOLERANCES ON FRACTIONS DECIMALS ANGLES</small> <small>± 1/16 ± .005 ± 1/2°</small> <small>BREAK ALL SHARP EDGES .005 TO .015 MAX. AND DEBURR</small>	<small>DRAWN</small> IVANHOE	<small>3/27/97</small>	<small>CC DESIGN DEVELOPMENT</small> <small>TORRANCE, CA. (310) 534-5620</small>	
	<small>CHECKED</small>	<small>DESIGN APPROVAL</small>	<small>TITLE</small> FILTER WHEEL	
	<small>PROJECT APPROVAL</small>	<small>FINISH</small> BLACK ANODIZE	<small>SIZE</small> C	<small>DWG NO.</small> D970653
	<small>MATERIAL</small> 6061-T6 ALUMINUM	<small>SCALE</small> 1:1	<small>QTY</small> 1	<small>SHEET</small> 1 OF 1

A

B

C

D