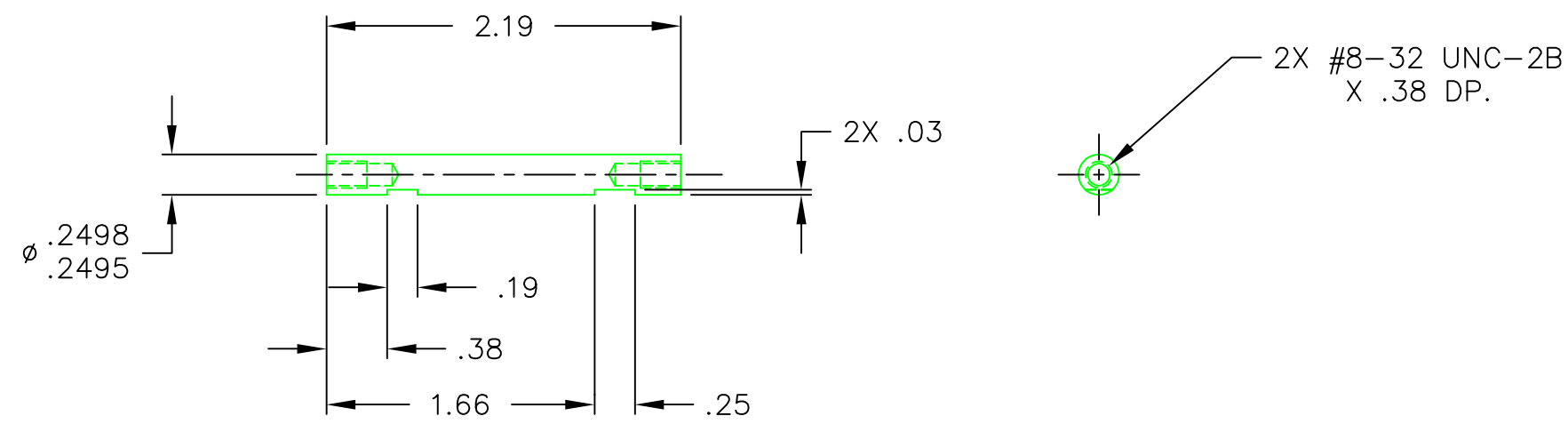


REVISIONS				
LTR	REL DATE	DESCRIPTION	APPR	DATE
A		DCN E030398-00		



UNLESS OTHERWISE SPECIFIED DIMENSIONS ARE INCHES	DRAWN IVANHOE	3/27/97	CC DESIGN DEVELOPMENT	
	CHECKED		TORRANCE, CA. (310) 534-5620	
TOLERANCES ON FRACTIONS DECIMALS ANGLES ± 1/16 .XX ± .010 ± 1/2° BREAK ALL SHARP EDGES .005 TO .015 MAX. AND DEBURR	DESIGN APPROVAL		TITLE SHAFT, FILTER WHEEL MOUNTING	
	PROJECT APPROVAL		SIZE DWG NO. B D970654 3240	
MATERIAL 1/4" PRECISION GROUND SHAFT	FINISH		SCALE 1:1	QTY 1 SHEET 1 OF 1