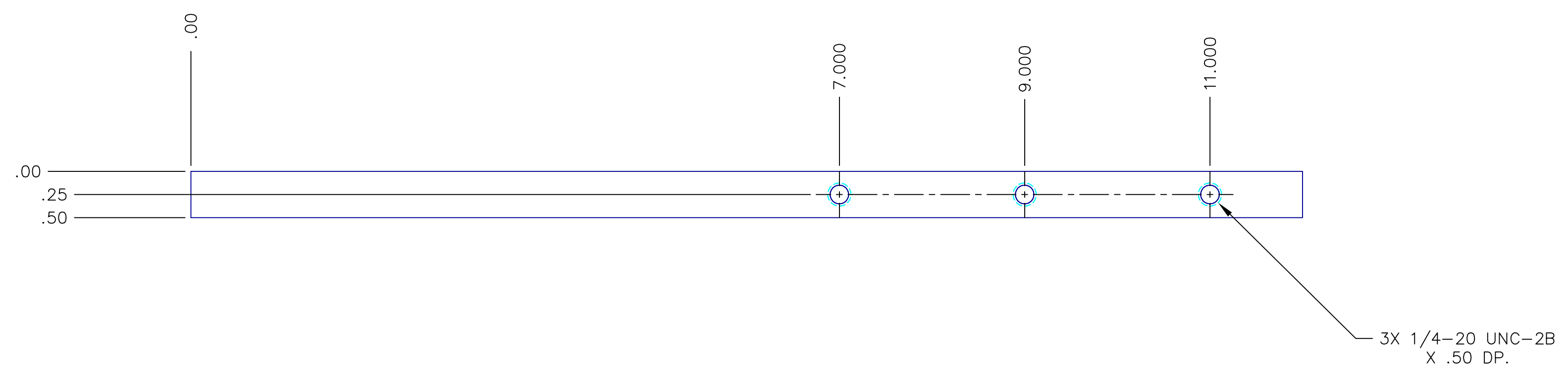
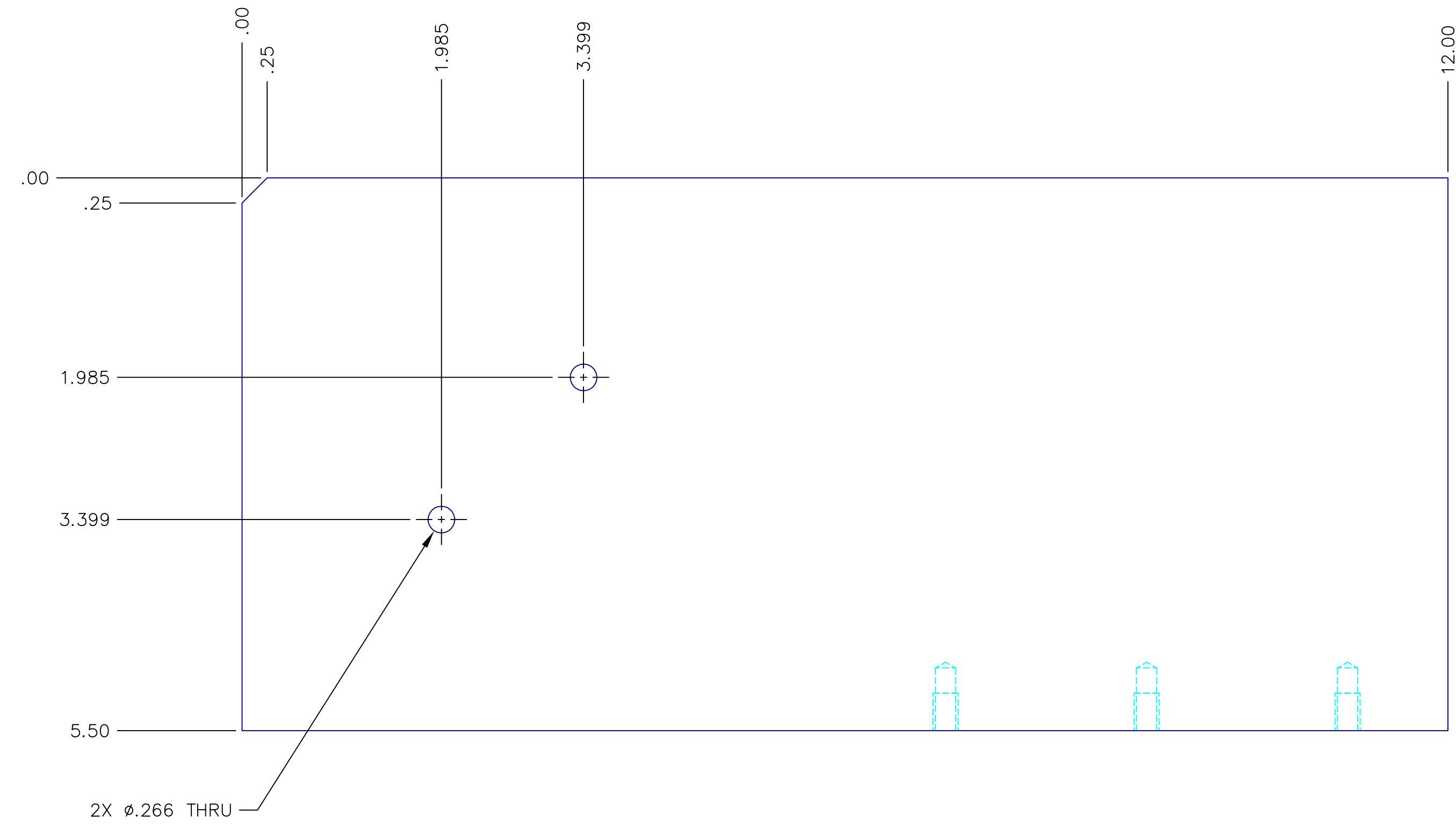


REVISIONS				
LTR	REL DATE	DESCRIPTION	APPR	DATE
A		DCN E030398-00		



UNLESS OTHERWISE SPECIFIED DIMENSIONS ARE INCHES TOLERANCES ON FRACTIONS DECIMALS ANGLES ± 1/16 ± .005 ± 1/2° BREAK ALL SHARP EDGES .005 TO .015 MAX. AND DEBURR	DRAWN IVANHOE	4/9/97	CC DESIGN DEVELOPMENT TORRANCE, CA. (310) 534-5620	
	CHECKED		TITLE PLATE, LEES MTG, UPPER	
MATERIAL 1/2" THK. ALUM. TOOLING PLATE	DESIGN APPROVAL		SIZE D	DWG NO. D970663
	PROJECT APPROVAL		SCALE 1:1	QTY 1
	FINISH BLACK ANODIZE		SHEET 1 OF 1	