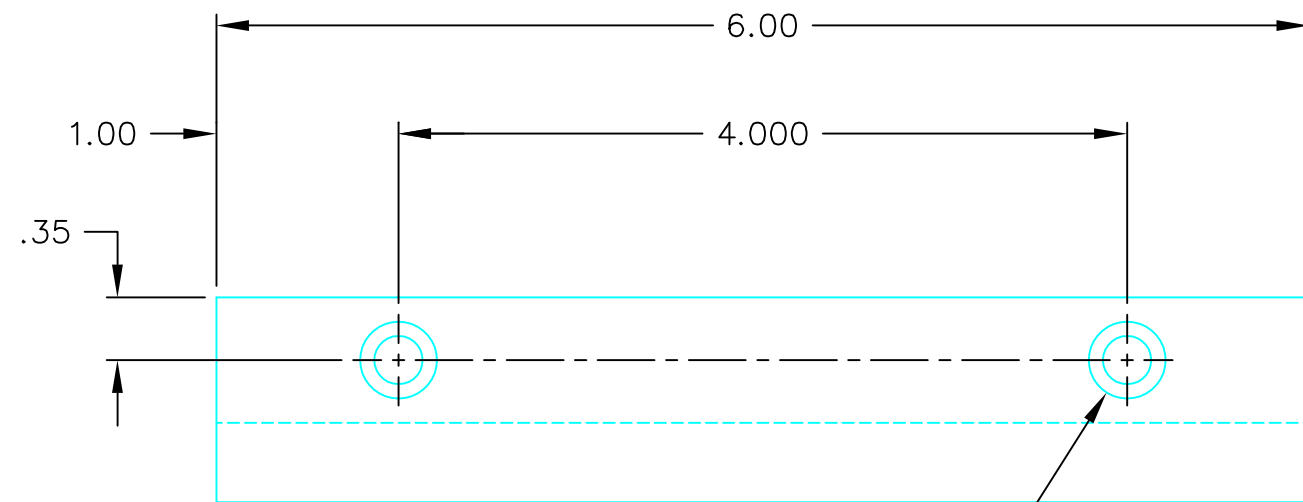
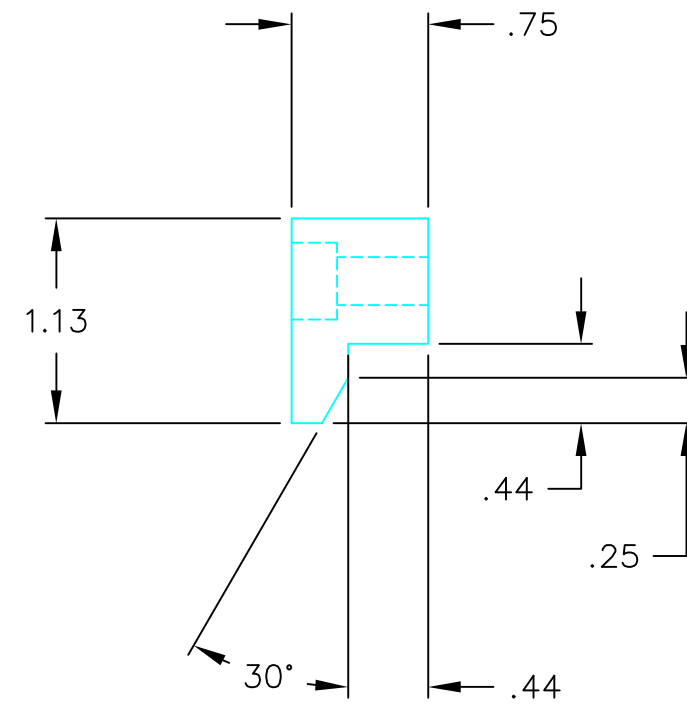


REVISIONS				
LTR	REL DATE	DESCRIPTION	APPR	DATE
A		DCN E030398-00		



2X ϕ .266 THRU
L ϕ .422 X .25 DP.



UNLESS OTHERWISE SPECIFIED DIMENSIONS ARE INCHES TOLERANCES ON FRACTIONS DECIMALS ANGLES $\pm 1/16$ $.XX \pm .010$ $\pm 1/2^\circ$ BREAK ALL SHARP EDGES .005 TO .015 MAX. AND DEBURR	DRAWN IVANHOE	4/10/97	CC DESIGN DEVELOPMENT		
	CHECKED		TORRANCE, CA. (310) 534-5620		
	DESIGN APPROVAL		TITLE BLOCK, COVER RETAINING, SINGLE		
	PROJECT APPROVAL		SIZE B	DWG NO. D970671	3260
MATERIAL 6061-T6 ALUMINUM	FINISH BLACK ANODIZE		SCALE 1:1	QTY 13	SHEET 1 OF 1