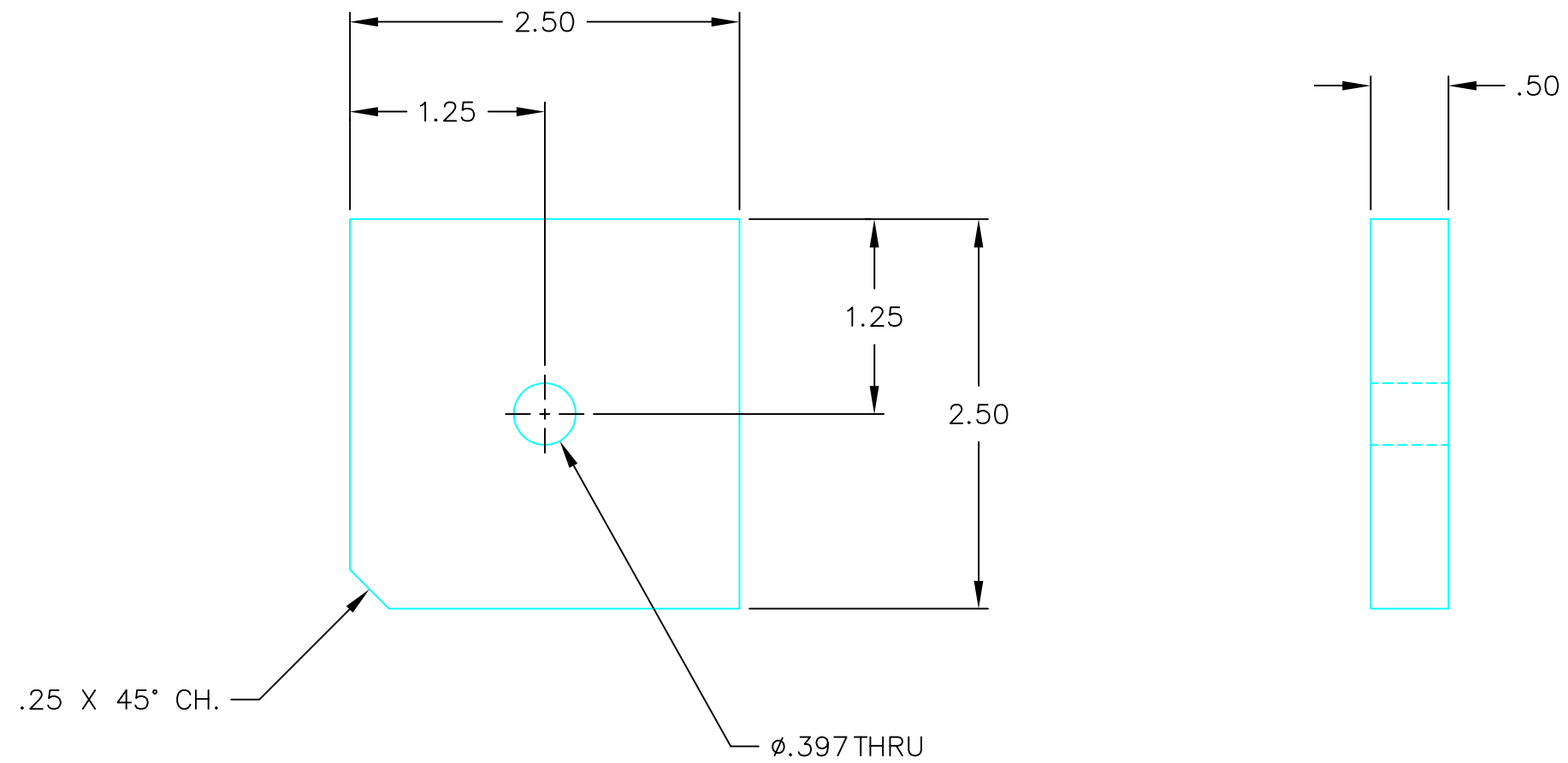


| REVISIONS | | | | |
|-----------|----------|----------------|------|------|
| LTR | REL DATE | DESCRIPTION | APPR | DATE |
| A | | DCN E030398-00 | | |



| | | | | |
|--|------------------|------------------------------------|--|--|
| UNLESS OTHERWISE SPECIFIED DIMENSIONS ARE INCHES TOLERANCES ON FRACTIONS DECIMALS ANGLES $\pm 1/16$ $.XX \pm .010$ $\pm 1/2^\circ$ $.XXX \pm .005$ $\pm 1/2^\circ$ BREAK ALL SHARP EDGES .005 TO .015 MAX. AND DEBURR | DRAWN IVANHOE | 4/10/97 | CC DESIGN DEVELOPMENT | |
| | CHECKED | | TORRANCE, CA. (310) 534-5620 | |
| | DESIGN APPROVAL | | TITLE BLOCK, ANGLE FRAME RETAINING | |
| | PROJECT APPROVAL | | SIZE DWG NO. B D970673 3262 | |
| MATERIAL 6061-T6 ALUMINUM | FINISH NONE | SCALE 1:1 QTY 3 SHEET 1 OF 1 | | |