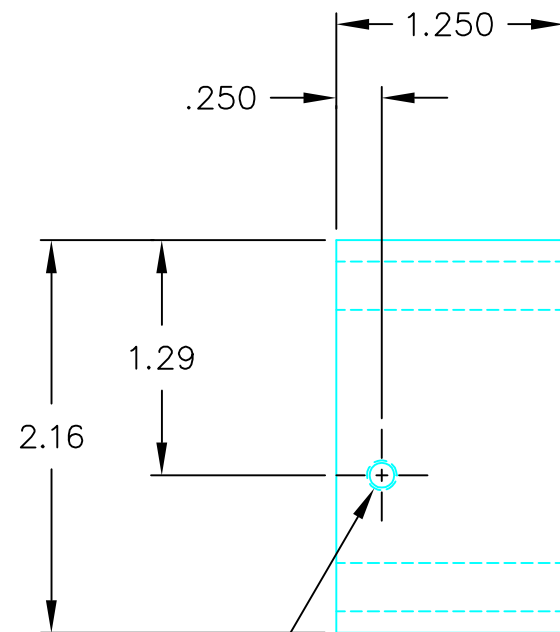
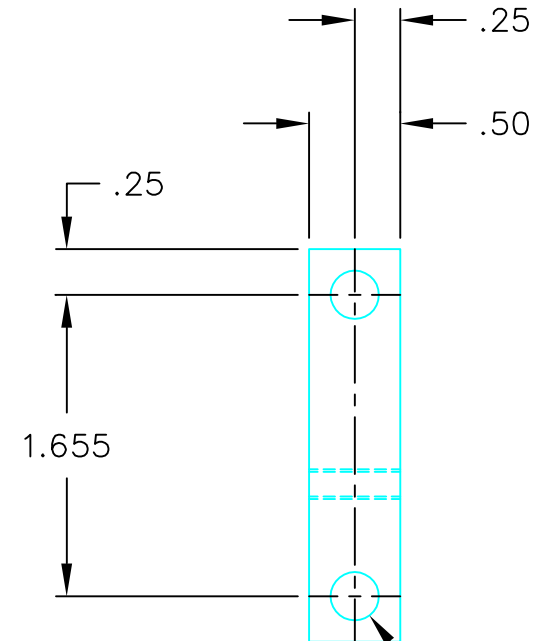


REVISIONS				
LTR	REL DATE	DESCRIPTION	APPR	DATE
A		DCN E030398-00		



#8-32 UNC-2B THRU



2X ϕ .266

UNLESS OTHERWISE SPECIFIED DIMENSIONS ARE INCHES	DRAWN IVANHOE	4/14/97	CC DESIGN DEVELOPMENT	
	CHECKED		TORRANCE, CA. (310) 534-5620	
TOLERANCES ON FRACTIONS DECIMALS ANGLES $\pm 1/16$ $.XX \pm .010$ $\pm 1/2^\circ$ BREAK ALL SHARP EDGES .005 TO .015 MAX. AND DEBURR	DESIGN APPROVAL		TITLE BLOCK, MOUNTING NEW FOCUS 8812/8809	
	PROJECT APPROVAL		SIZE B	DWG NO. D970689
MATERIAL 6061-T6 ALUM.	FINISH BLACK ANODIZE		3279	
		SCALE 1:1	QTY 3	SHEET 1 OF 1