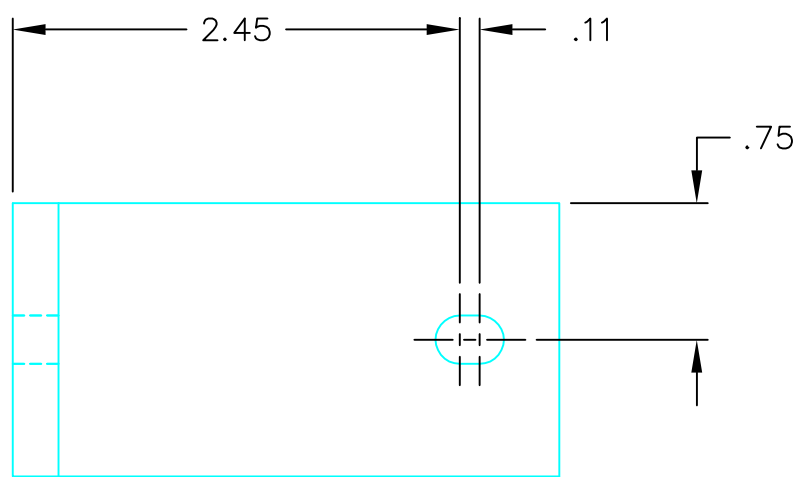
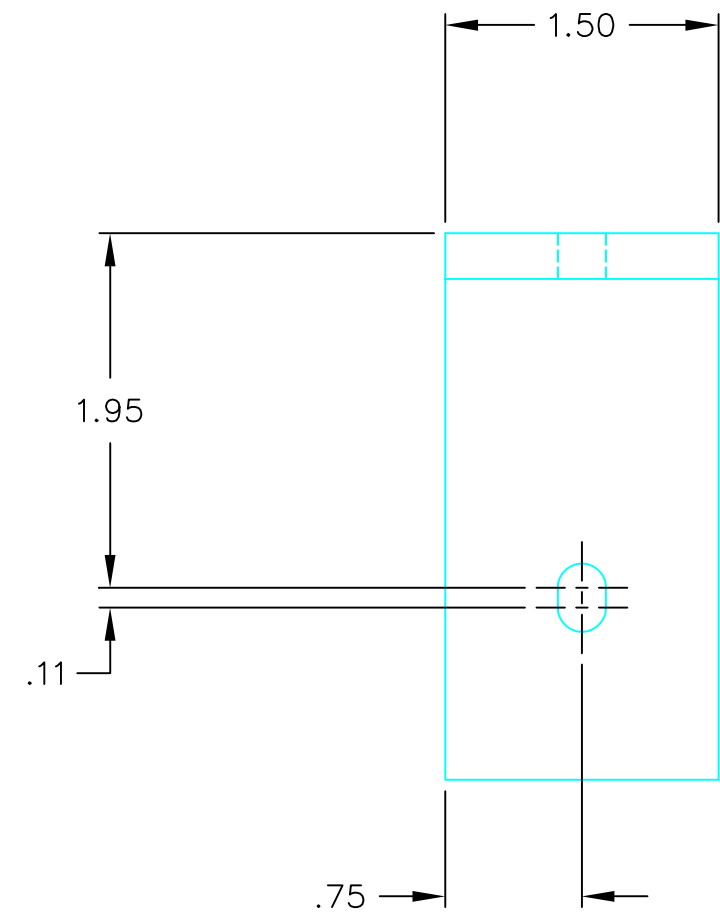
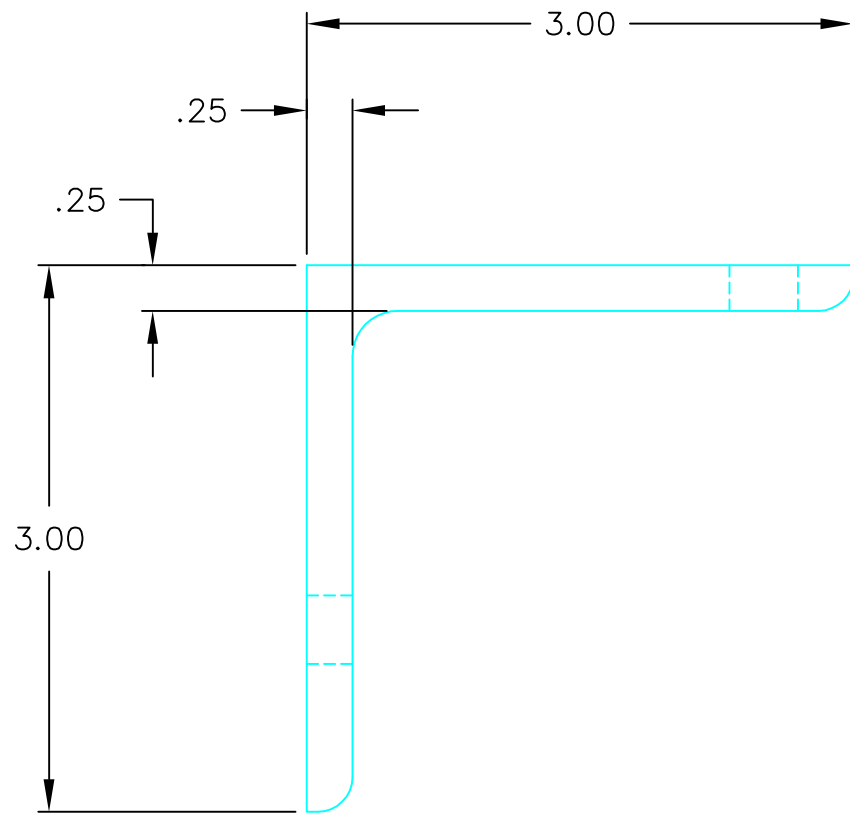


REVISIONS				
LTR	REL DATE	DESCRIPTION	APPR	DATE
A		DCN E030398-00		



UNLESS OTHERWISE SPECIFIED DIMENSIONS ARE INCHES TOLERANCES ON FRACTIONS DECIMALS ANGLES $\pm 1/16$ $.XX \pm .010$ $\pm 1/2^\circ$ BREAK ALL SHARP EDGES .005 TO .015 MAX. AND DEBURR	DRAWN IVANHOE	4/14/97	CC DESIGN DEVELOPMENT	
	CHECKED		TORRANCE, CA. (310) 534-5620	
	DESIGN APPROVAL		TITLE BRACKET, CAMERA MOUNTING	
	PROJECT APPROVAL		SIZE DWG NO. B D970691 3281	
MATERIAL 3 X 3 X 1/4" 6061-T6 ALUM. ANGLE	FINISH BLACK ANODIZE		SCALE 1:1	QTY 1
			SHEET 1 OF 1	