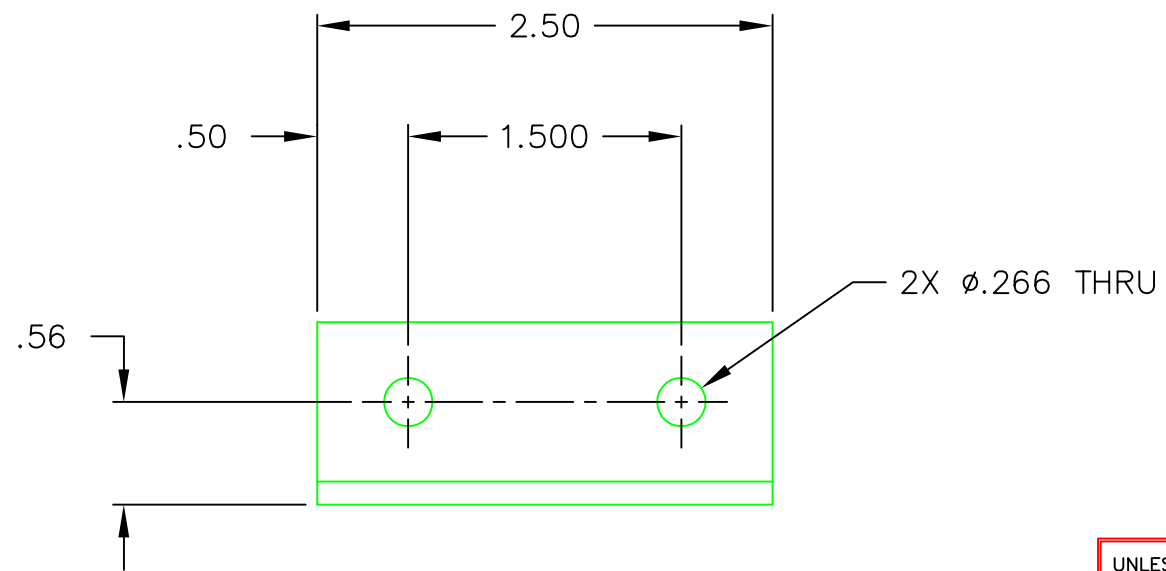
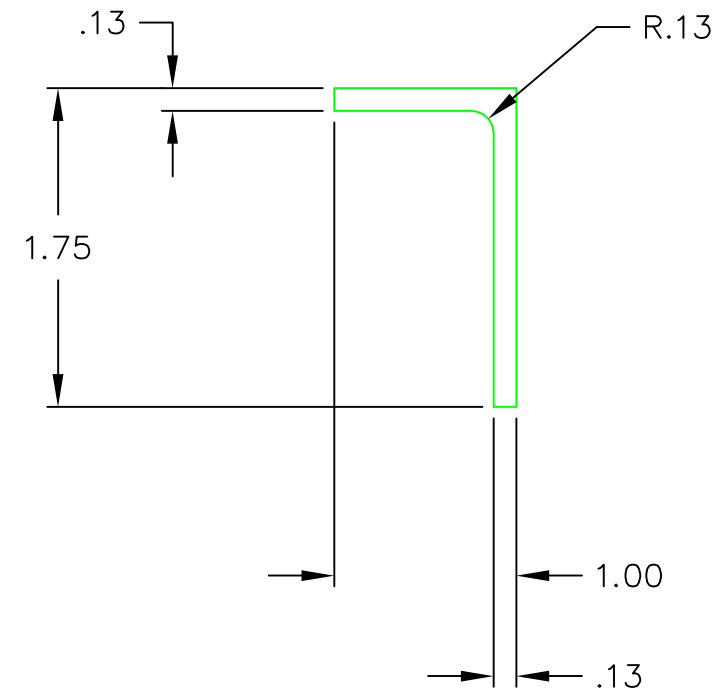
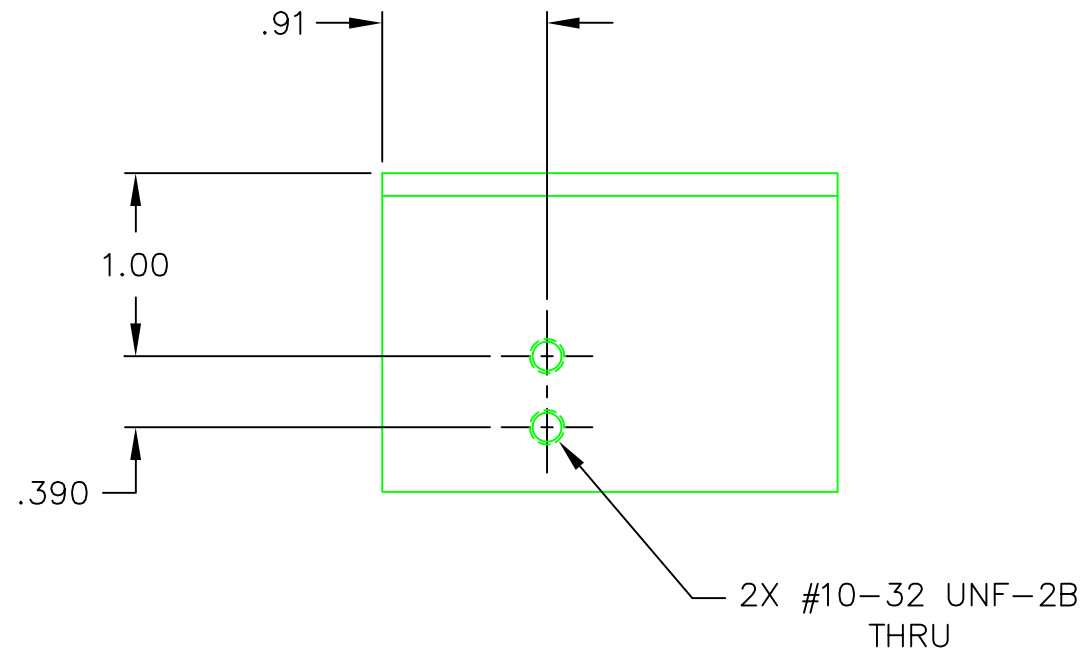


REVISIONS				
LTR	REL DATE	DESCRIPTION	APPR	DATE
A		DCN E030398-00		



UNLESS OTHERWISE SPECIFIED DIMENSIONS ARE INCHES	DRAWN	4/17/97	CC DESIGN DEVELOPMENT	
	CHECKED		TORRANCE, CA. (310) 534-5620	
TOLERANCES ON FRACTIONS DECIMALS ANGLES ± 1/16 .XX ± .010 ± 1/2° BREAK ALL SHARP EDGES .005 TO .015 MAX. AND DEBURR	DESIGN APPROVAL		TITLE	
	PROJECT APPROVAL		BRKT, E-CHAIN RET, X-CARRIAGE	
MATERIAL	FINISH		SIZE	DWG NO.
1-3/4 X 1 X 1/8 6061-T6 ALUM. EXTRUSION	BLACK ANODIZE		B	D970696
			SCALE	1:1
			QTY	1
			SHEET	1 OF 1
				3287