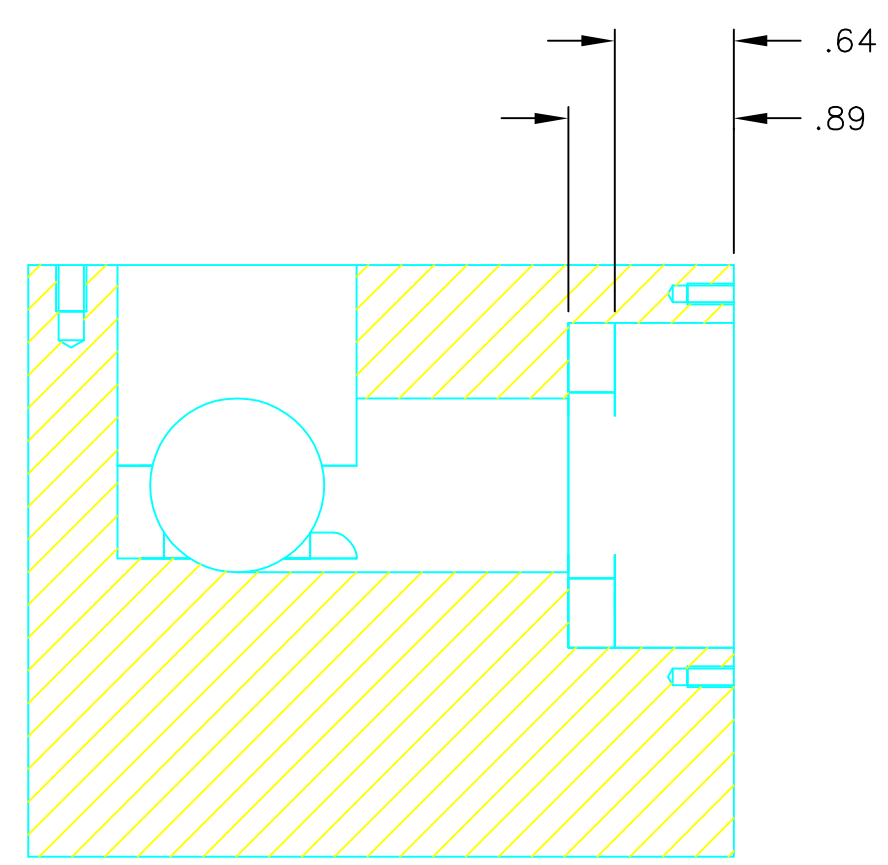
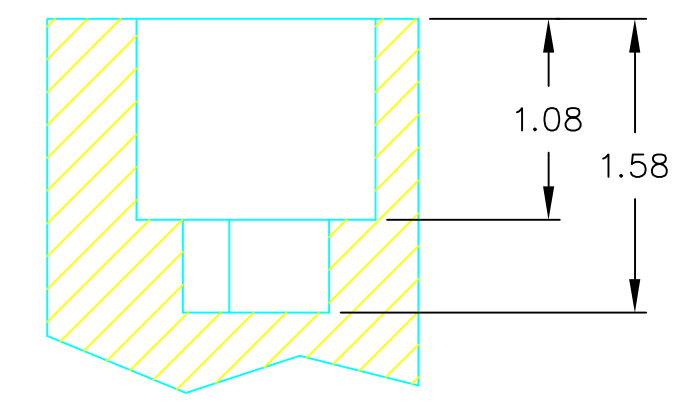
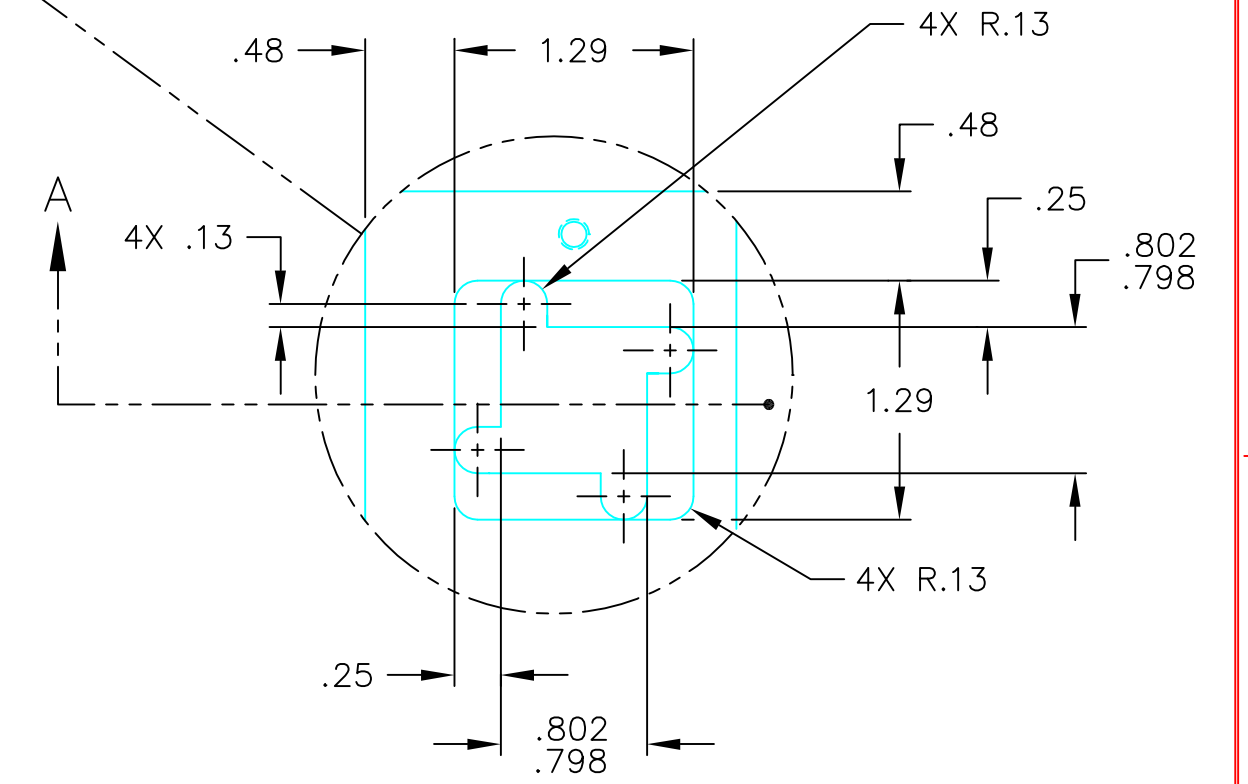
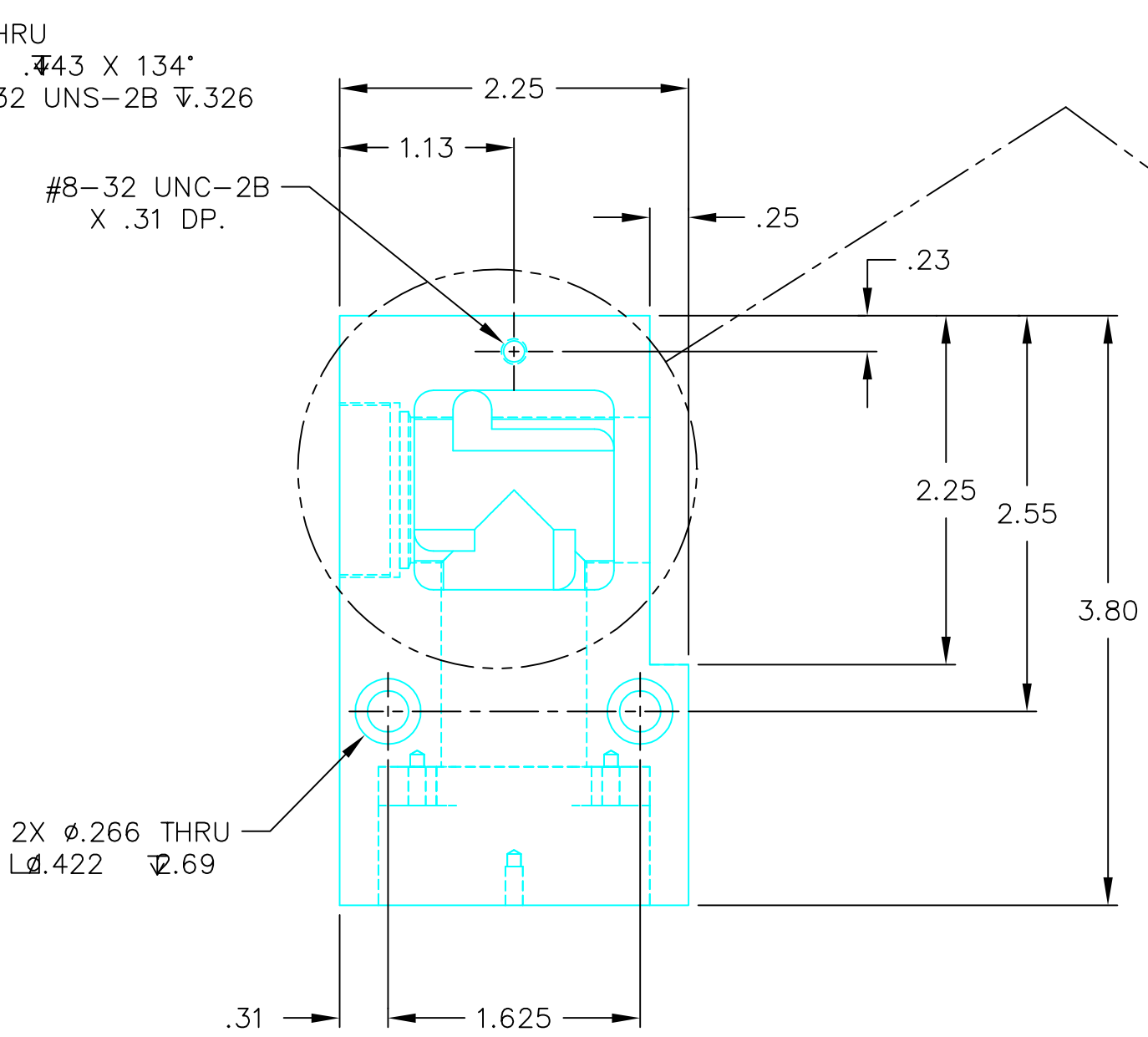
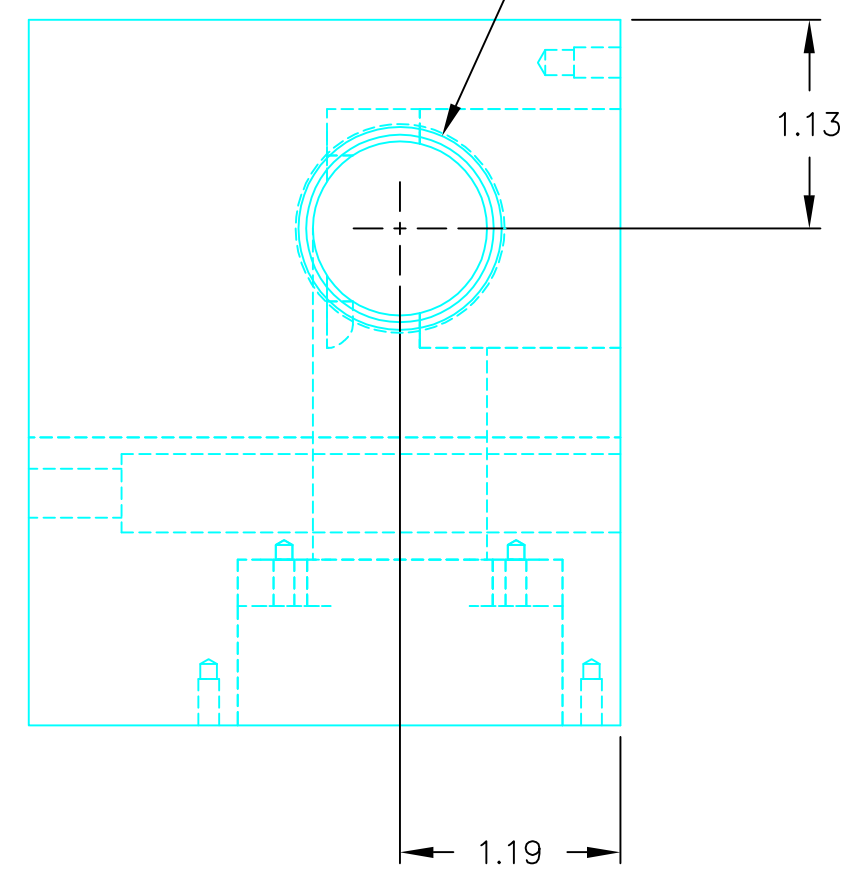
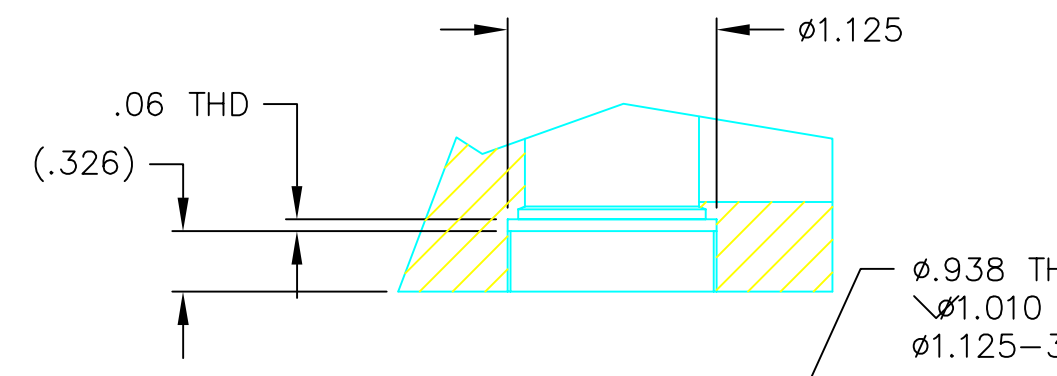
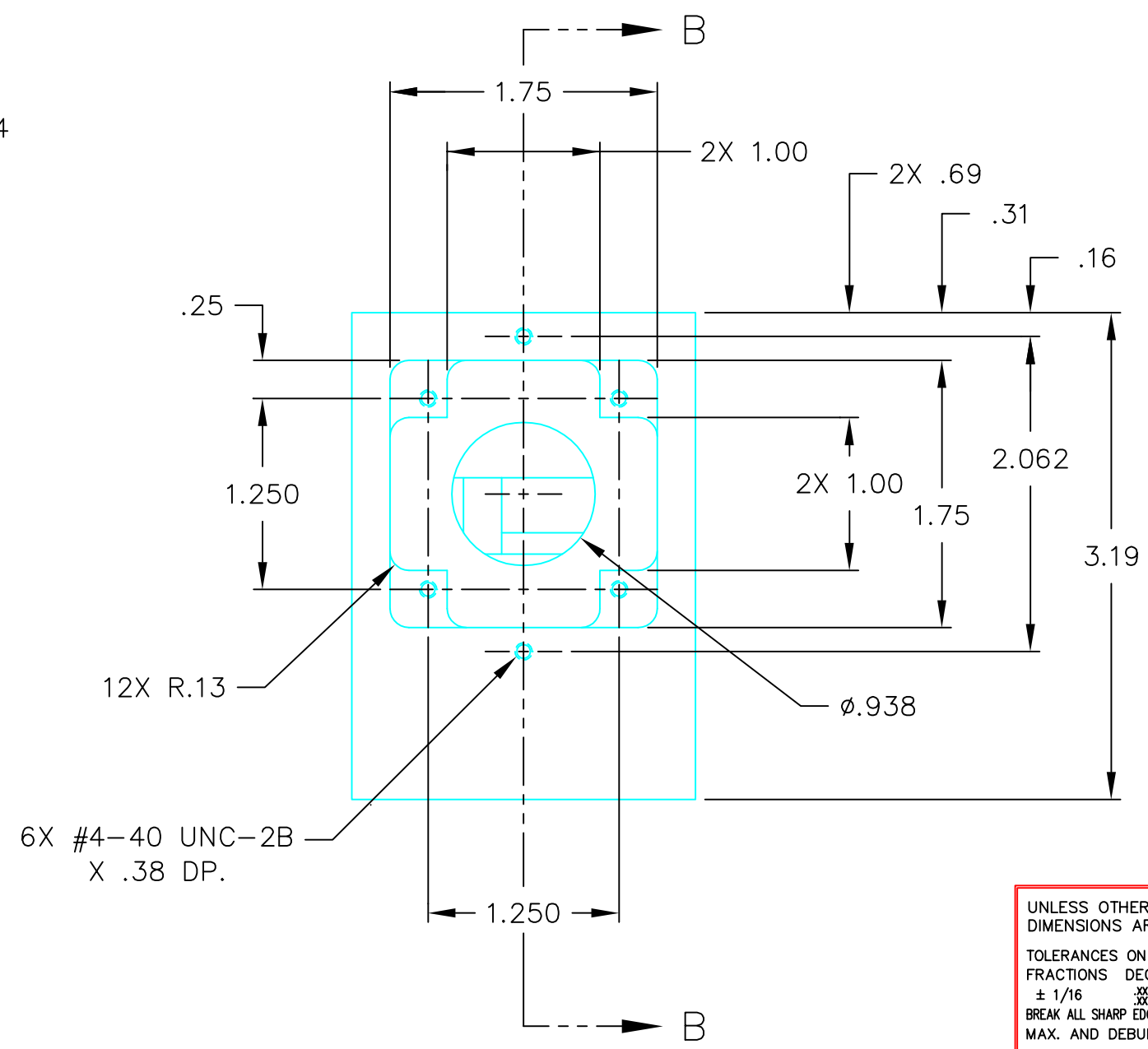


| REVISIONS |          |                |      |      |
|-----------|----------|----------------|------|------|
| LTR       | REL DATE | DESCRIPTION    | APPR | DATE |
| A         |          | DCN E030398-00 |      |      |



SECTION B-B



|   |                  |         |                                |        |
|---|------------------|---------|--------------------------------|--------|
| UNLESS OTHERWISE SPECIFIED<br>DIMENSIONS ARE INCHES<br>TOLERANCES ON<br>FRACTIONS DECIMALS ANGLES<br>$\pm 1/16$ $\pm .005$ $\pm 1/2^\circ$<br>BREAK ALL SHARP EDGES .005 TO .015<br>MAX. AND DEBURR | DRAWN            | 3/26/97 | CC DESIGN DEVELOPMENT          |        |
|   | CHECKED          | IVANHOE | TORRANCE, CA. (310) 534-5620   |        |
|   | DESIGN APPROVAL  |         | TITLE                          |        |
|   | PROJECT APPROVAL |         | BLOCK, LPT101/BMSPLTR MOUNTING |        |
| MATERIAL  | FINISH           | SIZE    | DWG NO.                        |        |
| 6061-T6 ALUMINUM  | BLACK ANODIZE    | C       | D970700                        | 3294   |
|   |                  | SCALE   | QTY                            | SHEET  |
|   |                  | 1:1     | 1                              | 1 OF 1 |