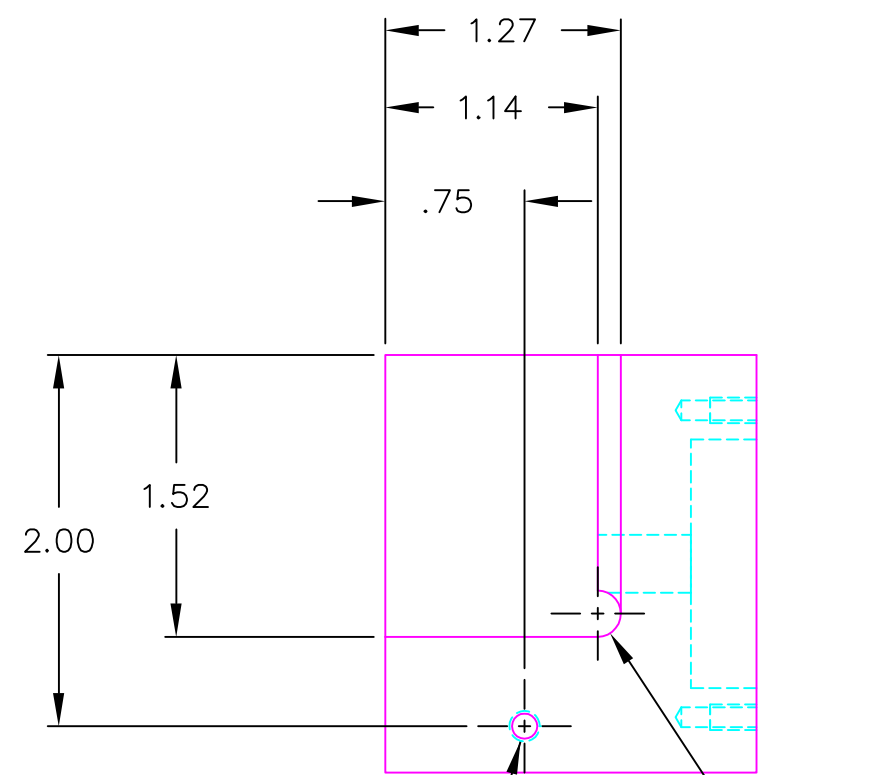
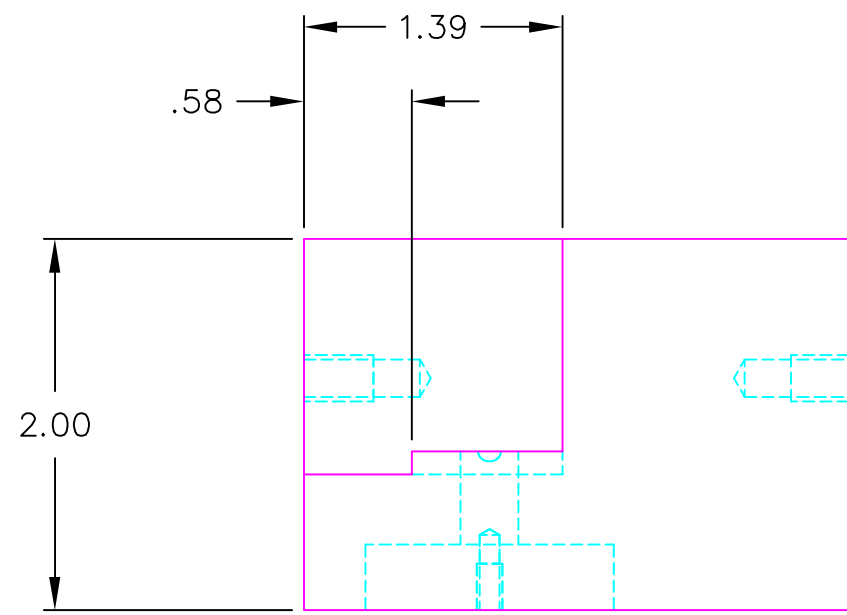
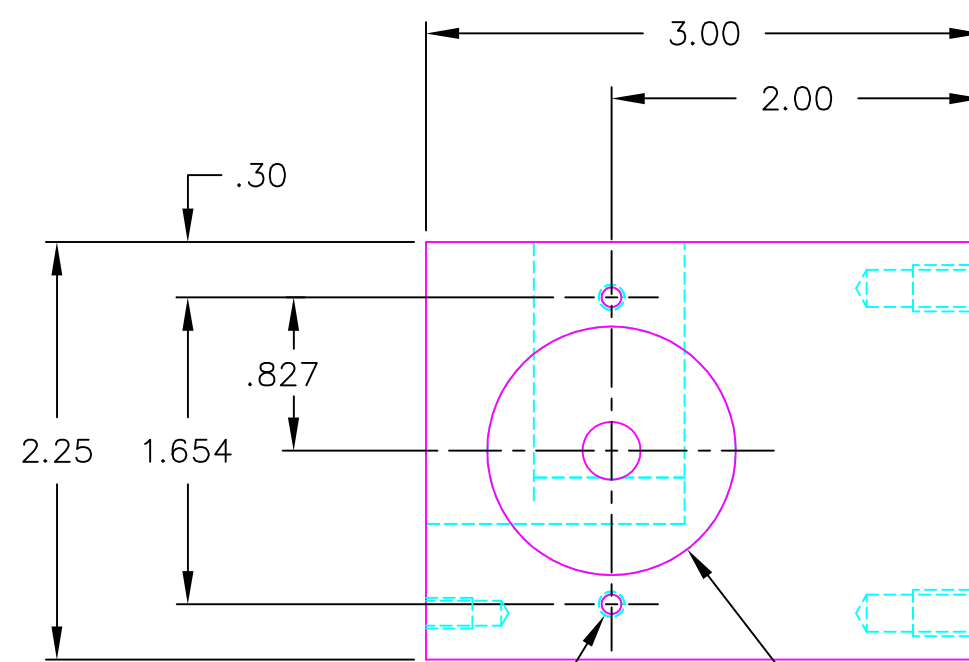


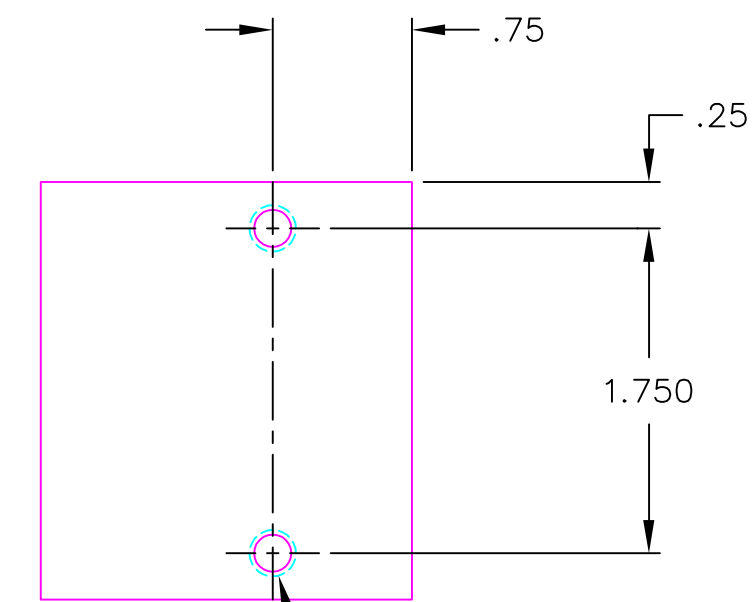
REVISIONS				
LTR	REL DATE	DESCRIPTION	APPR	DATE
A		DCN E030398-00		



#8-32 UNC-2B
X .38 DP.
R.13



2X #6-32 UNC-2B
X .38 DP.
Ø.313 THRU
LØ1.339 √354



2X 1/4-20 UNC-2B
X .38 DP.

UNLESS OTHERWISE SPECIFIED DIMENSIONS ARE INCHES TOLERANCES ON FRACTIONS DECIMALS ANGLES $\pm 1/16$ $\pm .005$ $\pm 1/2^\circ$ BREAK ALL SHARP EDGES .005 TO .015 MAX. AND DEBURR	DRAWN IVANHOE	3/26/97	CC DESIGN DEVELOPMENT TORRANCE, CA. (310) 534-5620
	CHECKED		TITLE BLOCK, POL./BMSPLTR MOUNTING
	DESIGN APPROVAL		SIZE C
	PROJECT APPROVAL		DWG NO. D970701
MATERIAL 6061-T6 ALUMINUM	FINISH BLACK ANODIZE	SCALE 1:1	QTY 1 SHEET 1 OF 1