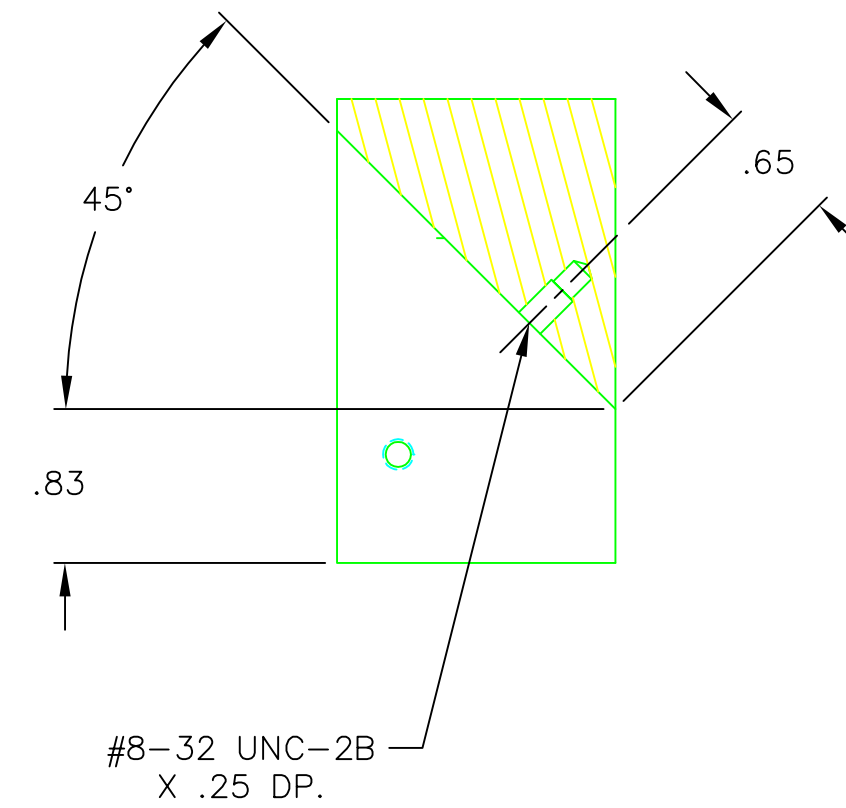
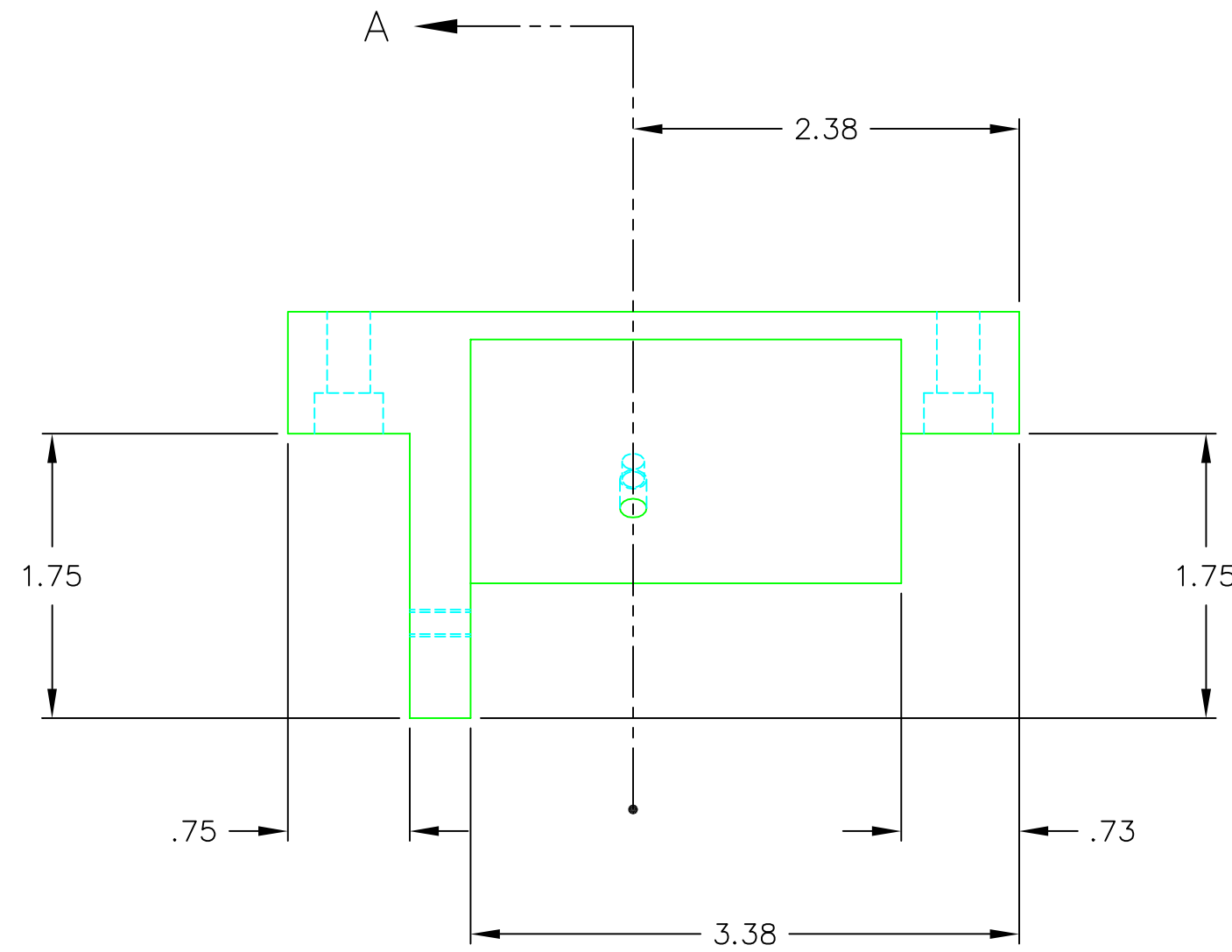
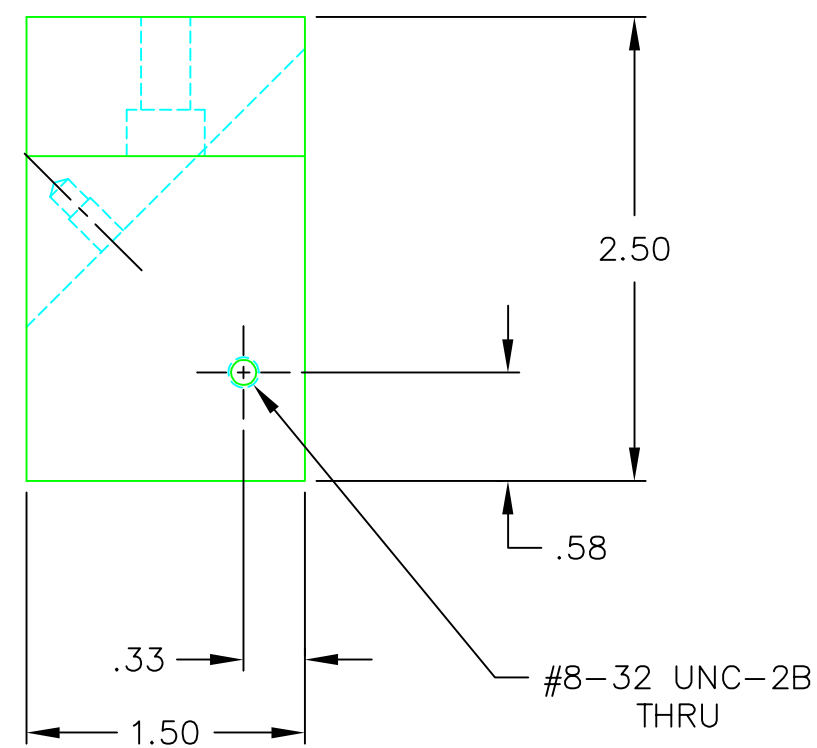
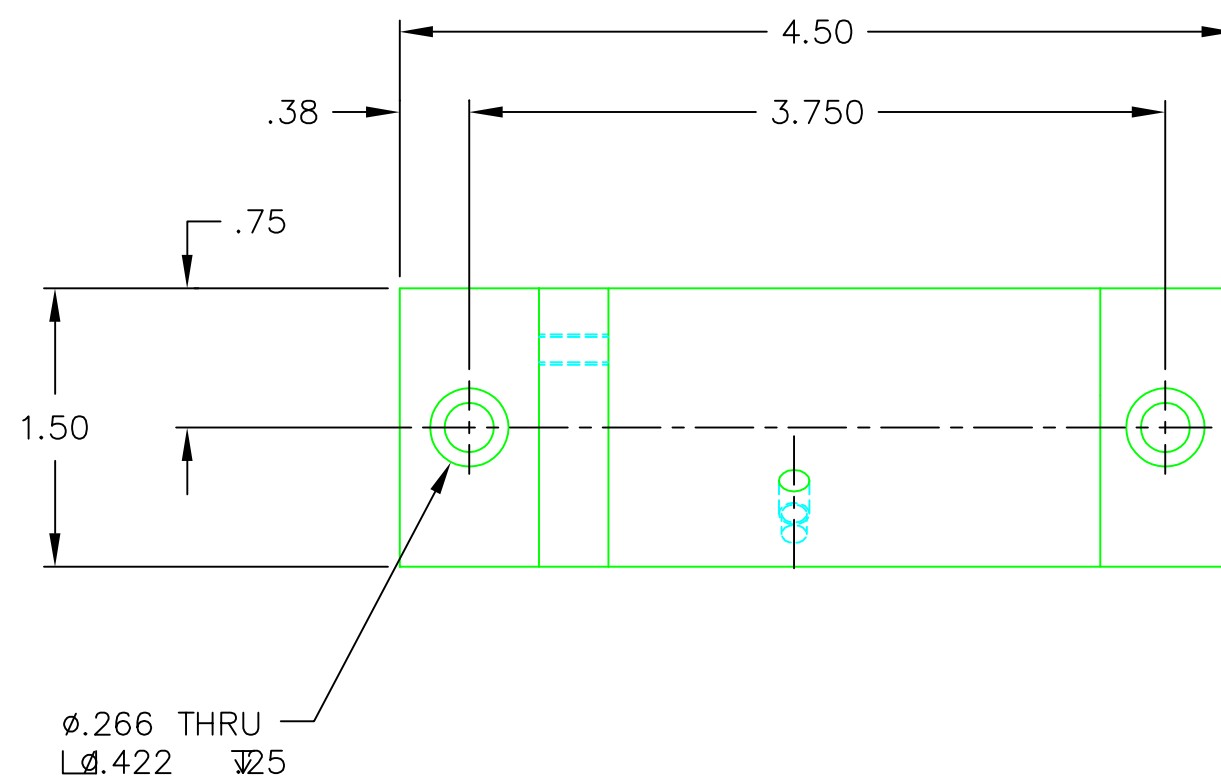


REVISIONS				
LTR	REL DATE	DESCRIPTION	APPR	DATE
A		DCN E030398-00		



SECTION A



UNLESS OTHERWISE SPECIFIED DIMENSIONS ARE INCHES		DRAWN IVANHOE	3/26/97	CC DESIGN DEVELOPMENT TORRANCE, CA. (310) 534-5620	
TOLERANCES ON FRACTIONS DECIMALS ANGLES ± 1/16 ± .005 ± 1/2° BREAK ALL SHARP EDGES .005 TO .015 MAX. AND DEBURR		CHECKED		TITLE HOLDER, GIMBAL MOUNT NEW FOCUS 8812	
MATERIAL 6061-T6 ALUMINUM		DESIGN APPROVAL		SIZE C	DWG NO. D970702
FINISH BLACK ANODIZE		PROJECT APPROVAL		SCALE 1:1	QTY 1
				SHEET 1 OF 1	