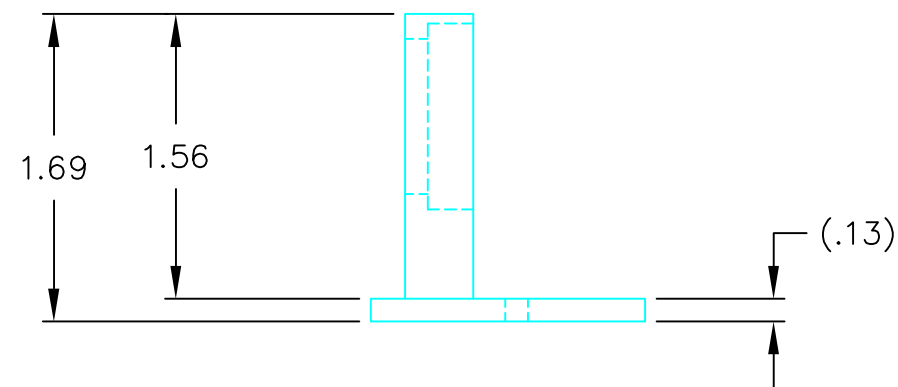
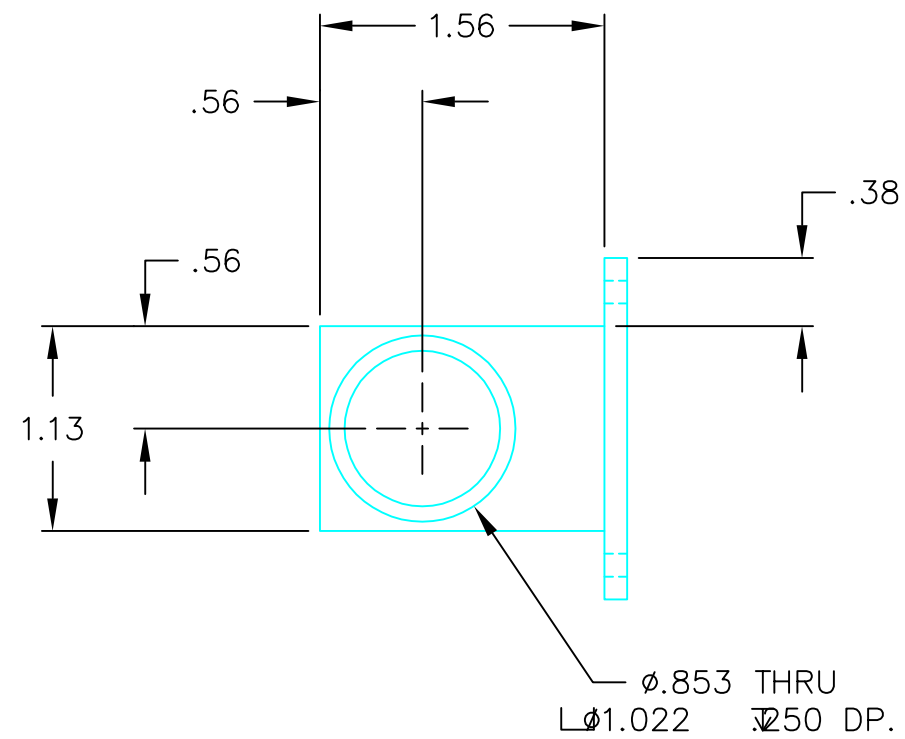
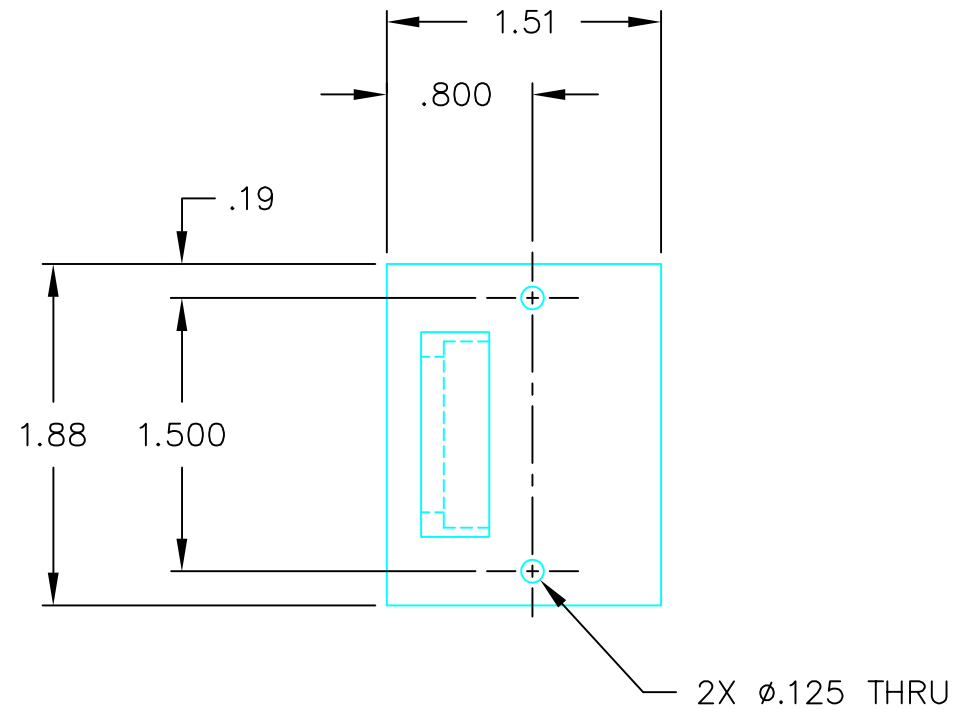


REVISIONS				
LTR	REL DATE	DESCRIPTION	APPR	DATE
A		DCN E030398-00		



UNLESS OTHERWISE SPECIFIED DIMENSIONS ARE INCHES		DRAWN IVANHOE	3/26/97	CC DESIGN DEVELOPMENT TORRANCE, CA. (310) 534-5620	
TOLERANCES ON FRACTIONS DECIMALS ANGLES ± 1/16 .XX ± .010 ± 1/2° BREAK ALL SHARP EDGES .005 TO .015 MAX. AND DEBURR		CHECKED		TITLE BLOCK, FILTER RETAINING	
MATERIAL 6061-T6 ALUMINUM		DESIGN APPROVAL		SIZE B	DWG NO. D970703
		PROJECT APPROVAL		SCALE 1:1	QTY 6
		FINISH BLACK ANODIZE		SHEET 1 OF 1	
				3298	