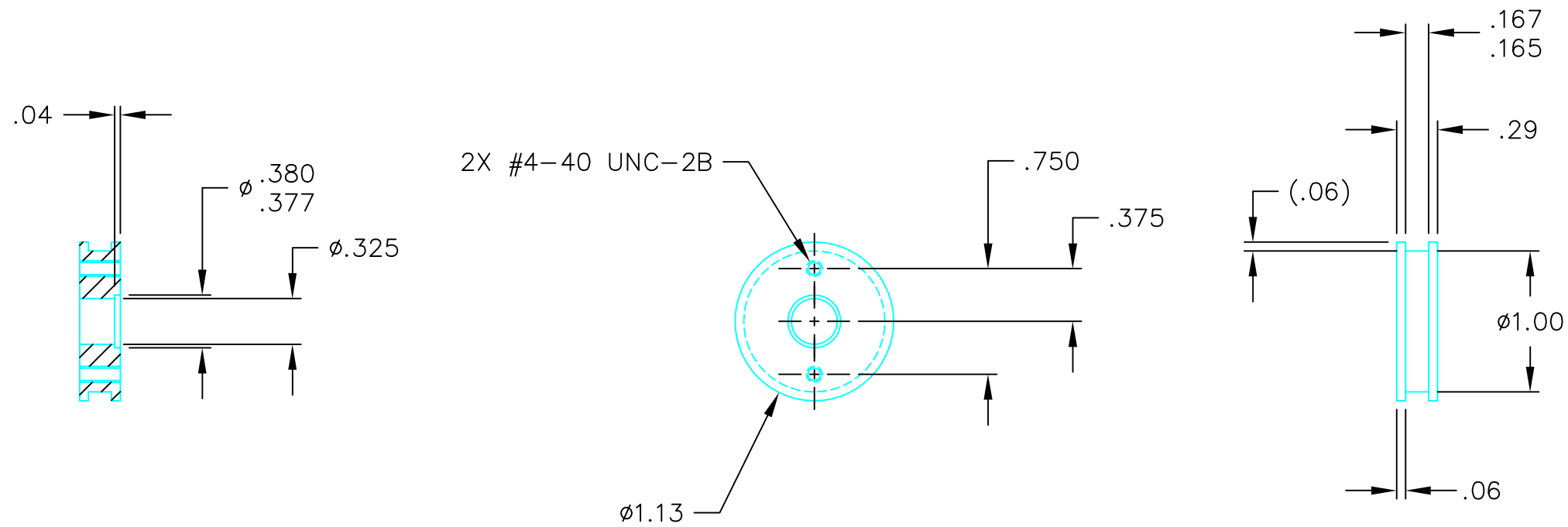


REVISIONS				
LTR	REL DATE	DESCRIPTION	APPR	DATE
A		DCN E030398-00		



UNLESS OTHERWISE SPECIFIED DIMENSIONS ARE INCHES  TOLERANCES ON FRACTIONS    DECIMALS    ANGLES $\pm 1/16$ $.XX \pm .010$ $\pm 1/2^\circ$ $.XXX \pm .005$ $\pm 1/2^\circ$ BREAK ALL SHARP EDGES .005 TO .015 MAX. AND DEBURR	DRAWN IVANHOE	4/23/97	CC DESIGN DEVELOPMENT	
	CHECKED		TORRANCE, CA. (310) 534-5620	
	DESIGN APPROVAL		TITLE HOLDER, QUAD-CELL	
	PROJECT APPROVAL		SIZE    DWG NO. B    D970708    3303	
MATERIAL 6061-T6 ALUMINUM	FINISH BLACK ANODIZE		SCALE 1:1	QTY 1
			SHEET 1 OF 1	