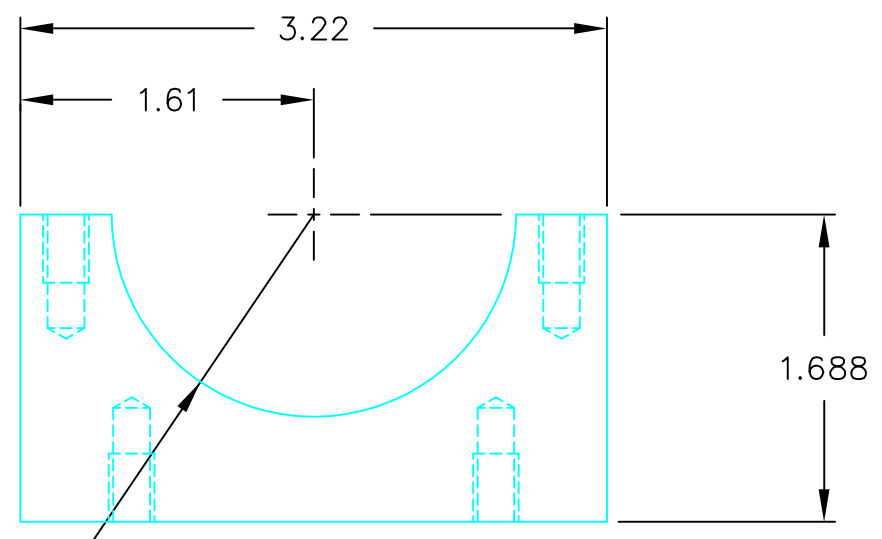
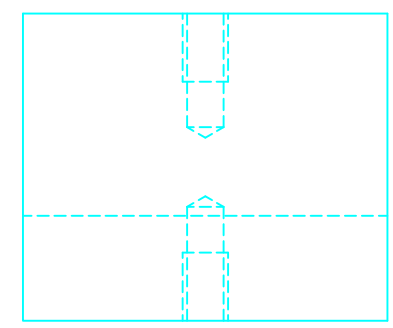
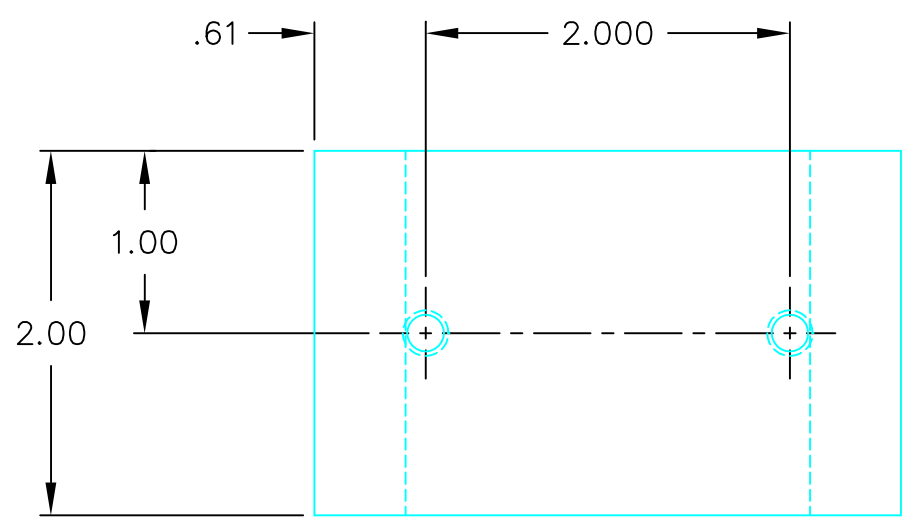


4X 1/4-20 UNC-2B
X .38 DP.



R 1.119
1.111



REVISIONS				
LTR	REL DATE	DESCRIPTION	APPR	DATE
A		DCN E030398-00		

UNLESS OTHERWISE SPECIFIED DIMENSIONS ARE INCHES		DRAWN IVANHOE P. 4/28/97	CC DESIGN DEVELOPMENT TORRANCE, CA. (310) 534-5620	
TOLERANCES ON FRACTIONS DECIMALS ANGLES ± 1/16 .XX ± .010 ± 1/2° BREAK ALL SHARP EDGES .005 TO .015 MAX. AND DEBURR		CHECKED	TITLE HEAT SINK, MOTOR, LOWER HALF	
MATERIAL 6061-T6 ALUMINUM		DESIGN APPROVAL	SIZE DWG NO. B D970711 3316	
		PROJECT APPROVAL	SCALE 1:1 QTY 1 SHEET 1 OF 1	
		FINISH BLACK ANODIZE		