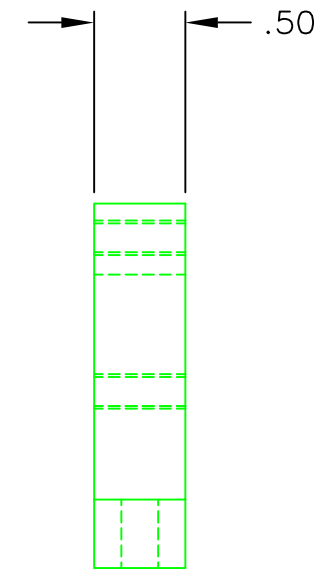
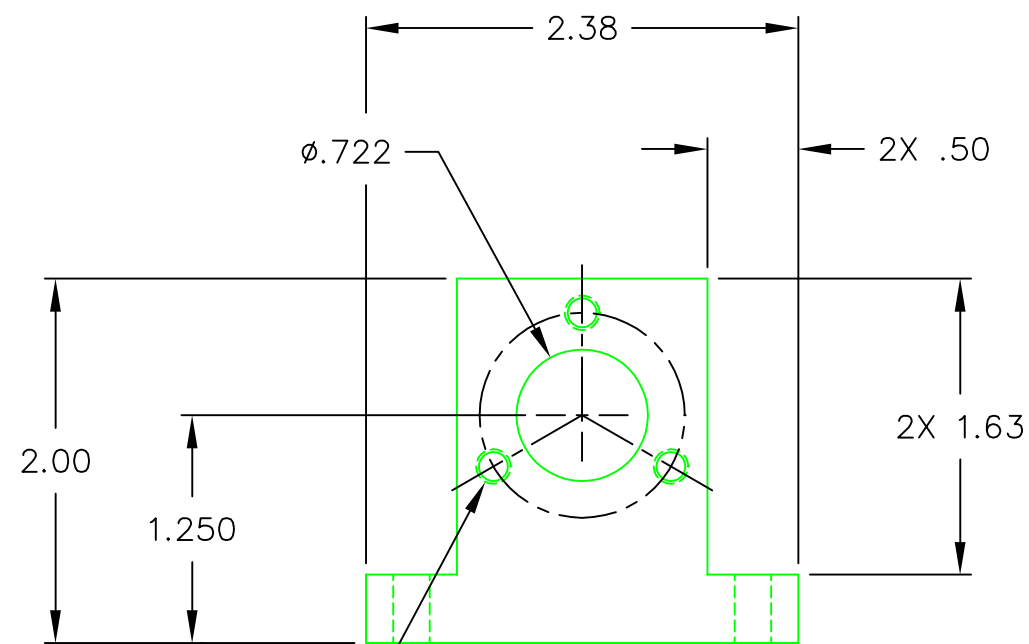
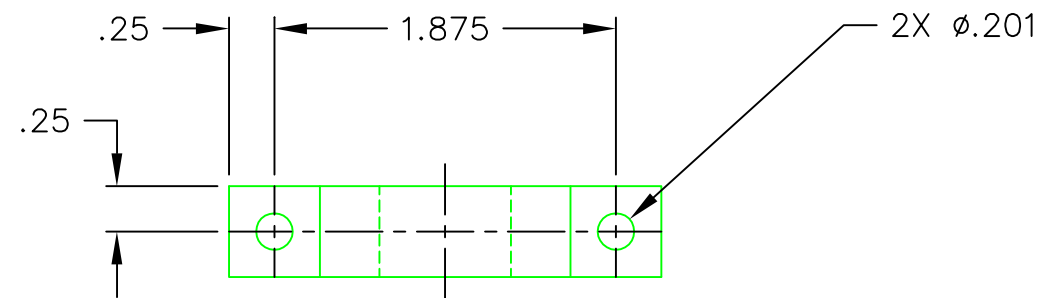


REVISIONS				
LTR	REL DATE	DESCRIPTION	APPR	DATE
A		DCN E030398-00		



3X #10-32 UNC-2B
EQ. SPACED ON ø1.000 B.C.

UNLESS OTHERWISE SPECIFIED DIMENSIONS ARE INCHES TOLERANCES ON FRACTIONS DECIMALS ANGLES $\pm 1/16$ $.XX \pm .010$ $\pm 1/2^\circ$ $.XXX \pm .005$ $\pm 1/2^\circ$ BREAK ALL SHARP EDGES .005 TO .015 MAX. AND DEBURR	DRAWN IVANHOE	5/12/97	CC DESIGN DEVELOPMENT	
	CHECKED		TORRANCE, CA. (310) 534-5620	
	DESIGN APPROVAL		TITLE BLOCK, DRIVE NUT RETAINING	
	PROJECT APPROVAL		SIZE DWG NO. B D970716 3329	
MATERIAL 6061-T6 ALUMINUM	FINISH BLACK ANODIZE		SCALE 1:1	QTY 2
			SHEET 1 OF 1	