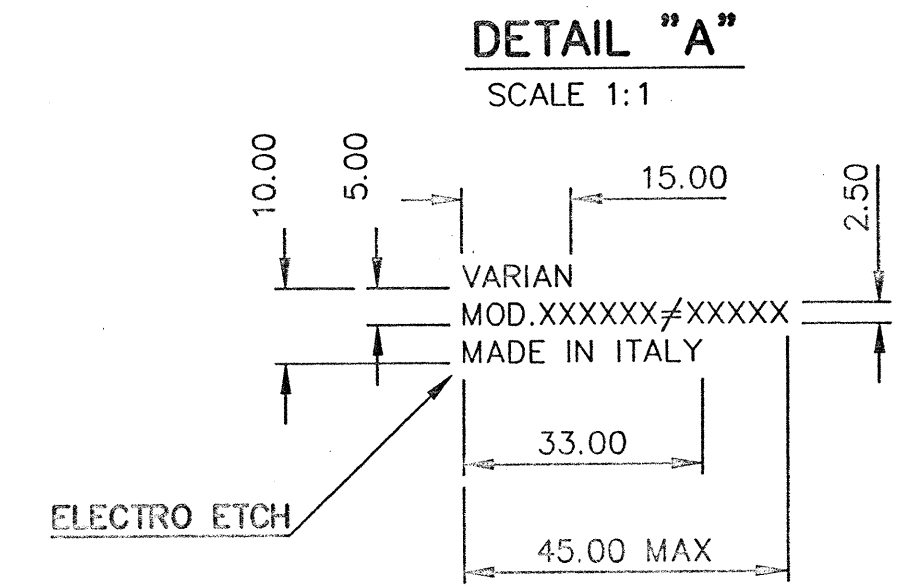
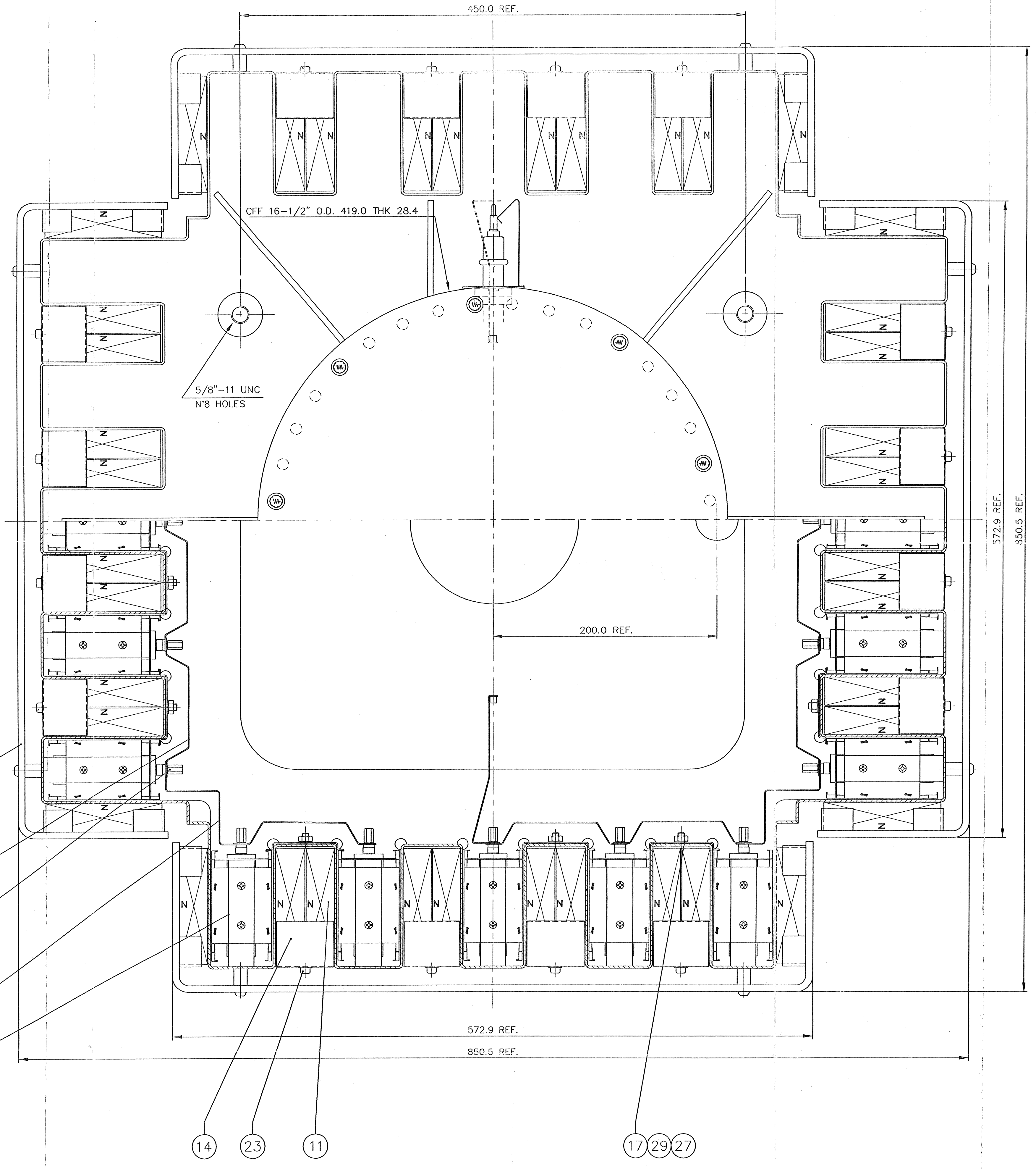
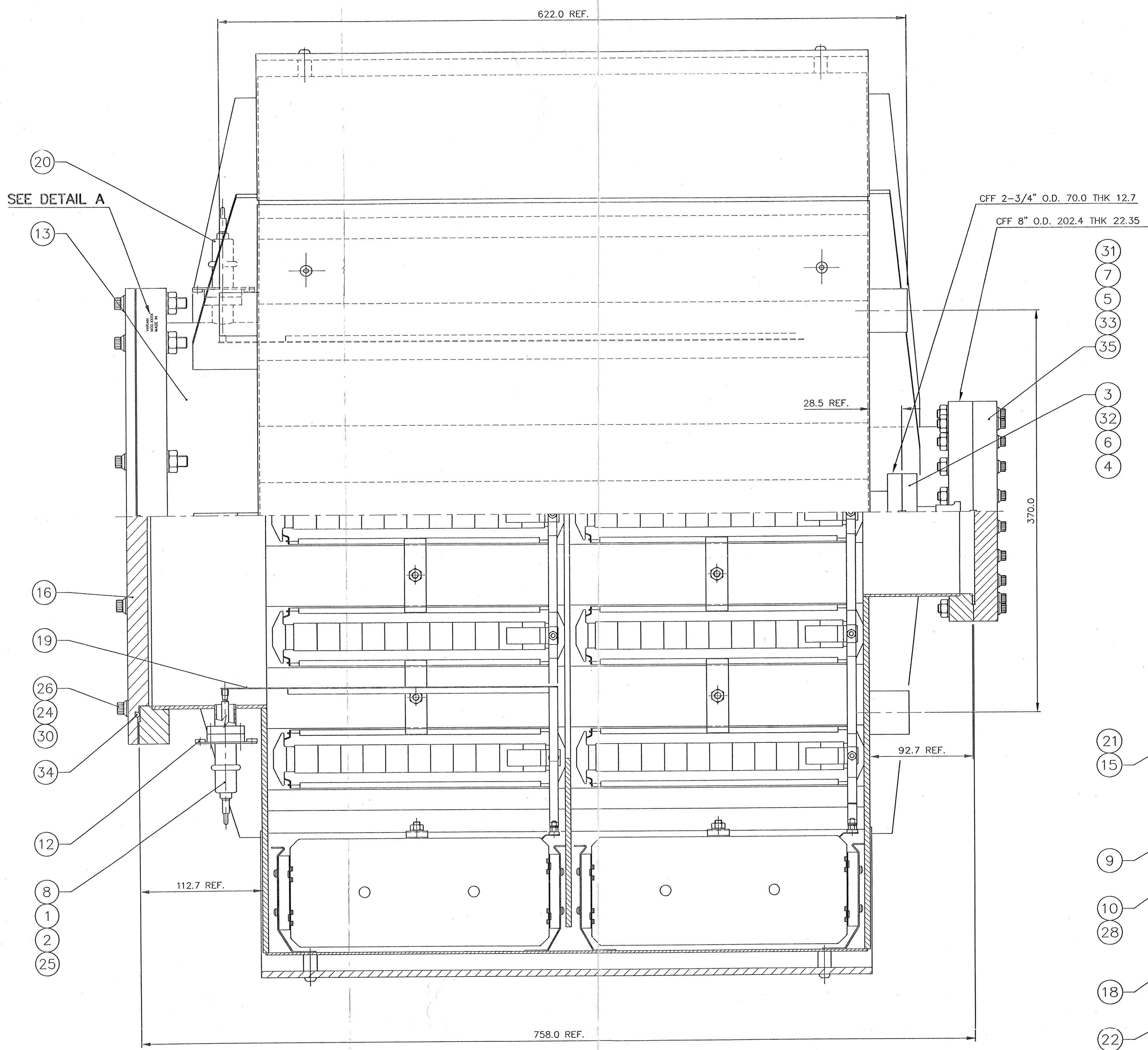


16	15	14	13	12	11	10	9	8	7	6	5	4	3	2	1
DASH N	TYPE OR MODEL	NEXT ASSEMBLY													



REQ	PART NUMBER	DESCRIPTION OR MATERIAL	ITEM
2	00.601410-01	SPRING GARTER	1
2	00.602591-09	GASKET MINI CFF	2
1	00.603574-00	COPPER TUBE 3/8"x6" Lq	3
6	00.655826	NUT 1/4"-28	4
20	00.655827	NUT 5/16"-24	5
6	00.655832-03	SCREW 1/4"-28 X 1 1/4" Lq	6
20	00.655918-06	SCREW 5/16"-24 X 2 1/4" Lq	7
2	03.643025	FEEDTHRU 12KV 10A ASSY	8
30	03.644170	STARCELL PUMP JUMPER	9
40	03.644173-02	KNURLED SCREW M4 GOLD PLAT.	10
128	03.646305	MAGNET 5"x4"x1"	11
2	03.646415	SAFETY PLATE ASSY	12
1	03.649229	LIGO 2500 D.I. PUMP BODY WELDED	13
16	03.649235	LIGO 2500 D.I. PUMP MAGN. BRACKET	14
4	03.649238	LIGO D.I. PUMP POLE PIECE ASSY	15
1	03.649240	LIGO D.I. PUMP RING 16"-1/2	16
24	03.649241	LIGO D.I. PUMP ELEM. BRACKET	17
8	03.649242	LIGO D.I. PUMP JUMPER	18
1	03.649243	LIGO D.I. PUMP UPPER HARN ASSY	19
1	03.649245	LIGO D.I. PUMP LOWER HARN ASSY	20
1	03.649246	LIGO D.I. PUMP PACKAGING ASSY	21
40	03.649578	LIGO D.I. ELEMENT ASSY	22
16	12.312005010-01	SCREW HEX SOC. M5X10 INOX	23
9	12.35206636-00	SCREW 3/8"-24 X 2 3/4 INOX	24
12	12.900772-00	SCREW HEX HEAD 8-32X3/4 INOX	25
9	13.122066-00	NUT 3/8"-24 INOX	26
24	13.1299060-01	NUT M6 GOLD PLATED	27
20	14.1120040-01	PLAIN WASH. ID 4 INOX	28
24	14.1120060-01	PLAIN WASH. ID 6 INOX	29
9	14.1120100-01	PLAIN WASH. ID 10 INOX	30
40	14.112015-00	PLAIN WASH. ID 5/16 INOX	31
1	24.999950-00	PINCH-OFF PROTECTOR	32
1	27.430005-01	8" COPPER GASKET SILVER PLATED	33
1	27.482457-01	O-RING PARKER 2-457 MITON	34
1	954-5087	CFF NONROT. 8" BLANK	35



2) POLARITY IS REVERSABLE  
DRY HONE EXTERIOR PRIOR TO INSTALLING MAGNETS

1160-D970732-02-V  
PSI DWG # V049-8-428  
SEP 16 1997  
THIS IS A COMPUTER GENERATED DRAWING

P/N 03.649238 WAS 03.649453 DIM. 758 MS 757	CHANGED	REVISIONS (Date/Author)	CLASS																																																																																																																																																																																		
	<table border="1"> <tr><td>REVISION</td><td>NO</td><td>DATE</td><td>BY</td><td>REASON</td></tr> <tr><td>1</td><td>03</td><td>10/04/96</td><td>AO</td><td>CONDITONITY</td></tr> <tr><td>2</td><td>03</td><td>10/04/96</td><td>AO</td><td>PERPENDICULARITY</td></tr> <tr><td>3</td><td>03</td><td>10/04/96</td><td>AO</td><td>PERPENDICULARITY</td></tr> <tr><td>4</td><td>03</td><td>10/04/96</td><td>AO</td><td>PERPENDICULARITY</td></tr> <tr><td>5</td><td>03</td><td>10/04/96</td><td>AO</td><td>PERPENDICULARITY</td></tr> <tr><td>6</td><td>03</td><td>10/04/96</td><td>AO</td><td>PERPENDICULARITY</td></tr> <tr><td>7</td><td>03</td><td>10/04/96</td><td>AO</td><td>PERPENDICULARITY</td></tr> <tr><td>8</td><td>03</td><td>10/04/96</td><td>AO</td><td>PERPENDICULARITY</td></tr> <tr><td>9</td><td>03</td><td>10/04/96</td><td>AO</td><td>PERPENDICULARITY</td></tr> <tr><td>10</td><td>03</td><td>10/04/96</td><td>AO</td><td>PERPENDICULARITY</td></tr> <tr><td>11</td><td>03</td><td>10/04/96</td><td>AO</td><td>PERPENDICULARITY</td></tr> <tr><td>12</td><td>03</td><td>10/04/96</td><td>AO</td><td>PERPENDICULARITY</td></tr> <tr><td>13</td><td>03</td><td>10/04/96</td><td>AO</td><td>PERPENDICULARITY</td></tr> <tr><td>14</td><td>03</td><td>10/04/96</td><td>AO</td><td>PERPENDICULARITY</td></tr> <tr><td>15</td><td>03</td><td>10/04/96</td><td>AO</td><td>PERPENDICULARITY</td></tr> <tr><td>16</td><td>03</td><td>10/04/96</td><td>AO</td><td>PERPENDICULARITY</td></tr> <tr><td>17</td><td>03</td><td>10/04/96</td><td>AO</td><td>PERPENDICULARITY</td></tr> <tr><td>18</td><td>03</td><td>10/04/96</td><td>AO</td><td>PERPENDICULARITY</td></tr> <tr><td>19</td><td>03</td><td>10/04/96</td><td>AO</td><td>PERPENDICULARITY</td></tr> <tr><td>20</td><td>03</td><td>10/04/96</td><td>AO</td><td>PERPENDICULARITY</td></tr> <tr><td>21</td><td>03</td><td>10/04/96</td><td>AO</td><td>PERPENDICULARITY</td></tr> <tr><td>22</td><td>03</td><td>10/04/96</td><td>AO</td><td>PERPENDICULARITY</td></tr> <tr><td>23</td><td>03</td><td>10/04/96</td><td>AO</td><td>PERPENDICULARITY</td></tr> <tr><td>24</td><td>03</td><td>10/04/96</td><td>AO</td><td>PERPENDICULARITY</td></tr> <tr><td>25</td><td>03</td><td>10/04/96</td><td>AO</td><td>PERPENDICULARITY</td></tr> <tr><td>26</td><td>03</td><td>10/04/96</td><td>AO</td><td>PERPENDICULARITY</td></tr> <tr><td>27</td><td>03</td><td>10/04/96</td><td>AO</td><td>PERPENDICULARITY</td></tr> <tr><td>28</td><td>03</td><td>10/04/96</td><td>AO</td><td>PERPENDICULARITY</td></tr> <tr><td>29</td><td>03</td><td>10/04/96</td><td>AO</td><td>PERPENDICULARITY</td></tr> <tr><td>30</td><td>03</td><td>10/04/96</td><td>AO</td><td>PERPENDICULARITY</td></tr> <tr><td>31</td><td>03</td><td>10/04/96</td><td>AO</td><td>PERPENDICULARITY</td></tr> <tr><td>32</td><td>03</td><td>10/04/96</td><td>AO</td><td>PERPENDICULARITY</td></tr> <tr><td>33</td><td>03</td><td>10/04/96</td><td>AO</td><td>PERPENDICULARITY</td></tr> <tr><td>34</td><td>03</td><td>10/04/96</td><td>AO</td><td>PERPENDICULARITY</td></tr> <tr><td>35</td><td>03</td><td>10/04/96</td><td>AO</td><td>PERPENDICULARITY</td></tr> </table>	REVISION	NO	DATE	BY	REASON	1	03	10/04/96	AO	CONDITONITY	2	03	10/04/96	AO	PERPENDICULARITY	3	03	10/04/96	AO	PERPENDICULARITY	4	03	10/04/96	AO	PERPENDICULARITY	5	03	10/04/96	AO	PERPENDICULARITY	6	03	10/04/96	AO	PERPENDICULARITY	7	03	10/04/96	AO	PERPENDICULARITY	8	03	10/04/96	AO	PERPENDICULARITY	9	03	10/04/96	AO	PERPENDICULARITY	10	03	10/04/96	AO	PERPENDICULARITY	11	03	10/04/96	AO	PERPENDICULARITY	12	03	10/04/96	AO	PERPENDICULARITY	13	03	10/04/96	AO	PERPENDICULARITY	14	03	10/04/96	AO	PERPENDICULARITY	15	03	10/04/96	AO	PERPENDICULARITY	16	03	10/04/96	AO	PERPENDICULARITY	17	03	10/04/96	AO	PERPENDICULARITY	18	03	10/04/96	AO	PERPENDICULARITY	19	03	10/04/96	AO	PERPENDICULARITY	20	03	10/04/96	AO	PERPENDICULARITY	21	03	10/04/96	AO	PERPENDICULARITY	22	03	10/04/96	AO	PERPENDICULARITY	23	03	10/04/96	AO	PERPENDICULARITY	24	03	10/04/96	AO	PERPENDICULARITY	25	03	10/04/96	AO	PERPENDICULARITY	26	03	10/04/96	AO	PERPENDICULARITY	27	03	10/04/96	AO	PERPENDICULARITY	28	03	10/04/96	AO	PERPENDICULARITY	29	03	10/04/96	AO	PERPENDICULARITY	30	03	10/04/96	AO	PERPENDICULARITY	31	03	10/04/96	AO	PERPENDICULARITY	32	03	10/04/96	AO	PERPENDICULARITY	33	03	10/04/96	AO	PERPENDICULARITY	34	03	10/04/96	AO	PERPENDICULARITY	35	03	10/04/96	AO	PERPENDICULARITY
REVISION	NO	DATE	BY	REASON																																																																																																																																																																																	
1	03	10/04/96	AO	CONDITONITY																																																																																																																																																																																	
2	03	10/04/96	AO	PERPENDICULARITY																																																																																																																																																																																	
3	03	10/04/96	AO	PERPENDICULARITY																																																																																																																																																																																	
4	03	10/04/96	AO	PERPENDICULARITY																																																																																																																																																																																	
5	03	10/04/96	AO	PERPENDICULARITY																																																																																																																																																																																	
6	03	10/04/96	AO	PERPENDICULARITY																																																																																																																																																																																	
7	03	10/04/96	AO	PERPENDICULARITY																																																																																																																																																																																	
8	03	10/04/96	AO	PERPENDICULARITY																																																																																																																																																																																	
9	03	10/04/96	AO	PERPENDICULARITY																																																																																																																																																																																	
10	03	10/04/96	AO	PERPENDICULARITY																																																																																																																																																																																	
11	03	10/04/96	AO	PERPENDICULARITY																																																																																																																																																																																	
12	03	10/04/96	AO	PERPENDICULARITY																																																																																																																																																																																	
13	03	10/04/96	AO	PERPENDICULARITY																																																																																																																																																																																	
14	03	10/04/96	AO	PERPENDICULARITY																																																																																																																																																																																	
15	03	10/04/96	AO	PERPENDICULARITY																																																																																																																																																																																	
16	03	10/04/96	AO	PERPENDICULARITY																																																																																																																																																																																	
17	03	10/04/96	AO	PERPENDICULARITY																																																																																																																																																																																	
18	03	10/04/96	AO	PERPENDICULARITY																																																																																																																																																																																	
19	03	10/04/96	AO	PERPENDICULARITY																																																																																																																																																																																	
20	03	10/04/96	AO	PERPENDICULARITY																																																																																																																																																																																	
21	03	10/04/96	AO	PERPENDICULARITY																																																																																																																																																																																	
22	03	10/04/96	AO	PERPENDICULARITY																																																																																																																																																																																	
23	03	10/04/96	AO	PERPENDICULARITY																																																																																																																																																																																	
24	03	10/04/96	AO	PERPENDICULARITY																																																																																																																																																																																	
25	03	10/04/96	AO	PERPENDICULARITY																																																																																																																																																																																	
26	03	10/04/96	AO	PERPENDICULARITY																																																																																																																																																																																	
27	03	10/04/96	AO	PERPENDICULARITY																																																																																																																																																																																	
28	03	10/04/96	AO	PERPENDICULARITY																																																																																																																																																																																	
29	03	10/04/96	AO	PERPENDICULARITY																																																																																																																																																																																	
30	03	10/04/96	AO	PERPENDICULARITY																																																																																																																																																																																	
31	03	10/04/96	AO	PERPENDICULARITY																																																																																																																																																																																	
32	03	10/04/96	AO	PERPENDICULARITY																																																																																																																																																																																	
33	03	10/04/96	AO	PERPENDICULARITY																																																																																																																																																																																	
34	03	10/04/96	AO	PERPENDICULARITY																																																																																																																																																																																	
35	03	10/04/96	AO	PERPENDICULARITY																																																																																																																																																																																	
NUMBER	POSITION	LIGO 2500 D.I. PUMP ASSY																																																																																																																																																																																			
DATHROSSA	DATE	10/04/96	SCALE 1:2																																																																																																																																																																																		
21/02/97	DATE	03.649239	REVISION B																																																																																																																																																																																		
B	REVISION	varian	AO																																																																																																																																																																																		