

8

7

6

5

4

3

2

1

REVISIONS			
REV	DESCRIPTION	DATE	APPROVED
A	SEE ECN# D972104-A FOR CHANGE LIST	06/08/98	T. THOMPSON
B	SEE ECN# D972104-B FOR CHANGE LIST	10/02/98	T. THOMPSON
C	SEE ECN# D972104-C FOR CHANGE LIST	10/08/98	T. THOMPSON
D	SEE ECN# D972104-D FOR CHANGE LIST	04/23/99	T. THOMPSON
E	SEE ECN# D972104-E FOR CHANGE LIST	05/25/99	T. THOMPSON

D

D

C

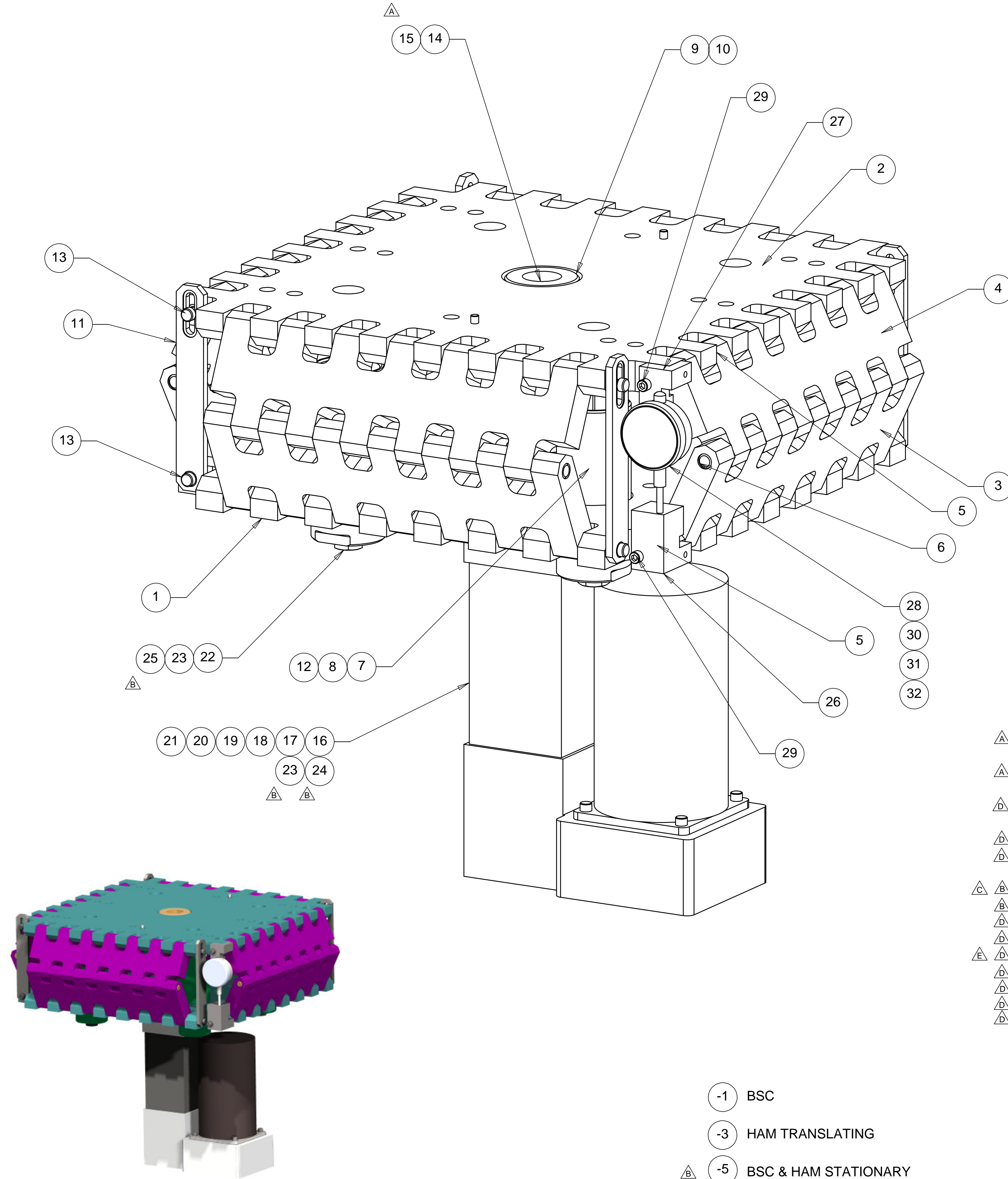
C

B

B

A

A



ITEM NO.	QTY.	QTY.	QTY.	PART NO.	DESCRIPTION
1	1	1	1	D972130-1	SCISSORS TABLE BASE PLATE
2	1	1	1	D972131-1	SCISSORS TABLE TOP PLATE
3	4	4	4	D972132-1	SCISSORS TABLE LOWER HINGE LINK
4	4	4	4	D972133-1	SCISSORS TABLE UPPER HINGE LINK
5	8	8	8	D972134-3	SCISSORS TABLE PLATE HINGE PIN
6	4	4	4	D972134-1	SCISSORS TABLE MID HINGE PIN
7	4	4	4	D972135-1	SCISSORS TABLE SPRING CUP
8	4	4	4	M200-1000 OR EQUIV.	COIL SPRING, DANLY MFG.
9	1	0	0	D972136-1	SCISSORS TABLE Z SHAFT MOUNT
10	0	1	0	D972136-3	SCISSORS TABLE Z SHAFT MOUNT
11	4	4	4	D972127-1	SCISSORS TABLE STOP LINK
12	4	4	4	D972143-1	SCISSORS TABLE SPRING SHIM
13	8	8	8		SOC HD SHOULDER BOLT, 1/4-20 UNC X .38 MIN. THD, .3125 DIAM. X .25 LG. SHOULDER, SST
14	1	0	0		SOC HD SCREW, 1.0-14 UNF-2A X 2.25 LG SST
15	0	1	1		SOC HD SCREW, 5/8-18 UNF-2A X 2.25 LG SST
16	1	0	0	TS42T-1006A-2-MFI-FTI-BS-NO BRAKE	IDC LINEAR TRANSLATOR
17	1	1	0	RP2	IDC LIMIT SWITCH
18	1	1	0	RP1	IDC HOME SWITCH
19	4	0	0		SOC HD SCREW, 1/2-13 UNC-2A X 1.5 LG ALLOY
20	0	1	0	NS23T-1208A-2-MFI-FTI-BS-NO BRAKE	IDC LINEAR TRANSLATOR
21	0	4	0		SOC HD SCREW, 5/16-18 UNC-2A X 2.0 LG SST
22	4	4	4		HEX HD SCREW, 1/2-13 UNC-2A X 1.5 LG SST
23	4	4	6		LOCK NUT, 1/2-13 UNC-2B, SST
24	0	0	2	D972718-1	SCISSORS TABLE HEIGHT SET SCREW
25	4	4	4		LOCK WASHER, 1/2, SST
26	1	1	1	D972159-1	DIAL INDICATOR GAGE BLOCK
27	1	1	1	D972158-1	DIAL INDICATOR MOUNTING BLOCK
28	1	1	1	2416F10	DIAL INDICATOR, MITUTOYO OR EQUIV.
29	2	2	2		SOC HD SCREW, 1/4-20 UNC-2A X 1.0 LG SST
30	1	1	1		SOC HD SCREW, 1/4-20 UNC-2A X 1.5 LG SST
31	1	1	1		HEX NUT, 1/4-20 UNC-2B SST
32	2	2	2		FLAT WASHER, 1/4 SST
DASH NO.	-1	-3	-5		

- 1 BSC
- 3 HAM TRANSLATING
- 5 BSC & HAM STATIONARY

UNLESS OTHERWISE SPECIFIED: DIMENSIONS ARE IN INCHES -TOLERANCES-		CAD GENERATED DRAWING, DO NOT MANUALLY UPDATE DO NOT SCALE DRAWING		HYTEC, INC TITLE LIGO SCISSORS TABLE ASSEMBLY	
DECIMALS .XX = +/- .03 .XXX = +/- .010	ANGULAR = +/- .30° SURFACE FINISH = 250				
FINISH		SIGNATURE	DATE	DWG. NO.	SHEET NO.
		DESIGNED	ROGER L. SMITH	5-28-97	
		DRAWN	ROGER L. SMITH	04-17-98	
		CHECKED	HARRY SALAZAR	03-30-98	
		ENGR.	T. THOMPSON	04-17-98	
		APPROVED	T. THOMPSON	04-17-98	
PART NO. D972104-1				SCALE 1/2	REVISION E

8

7

6

5

4

3

2

1

8

7

6

5

4

3

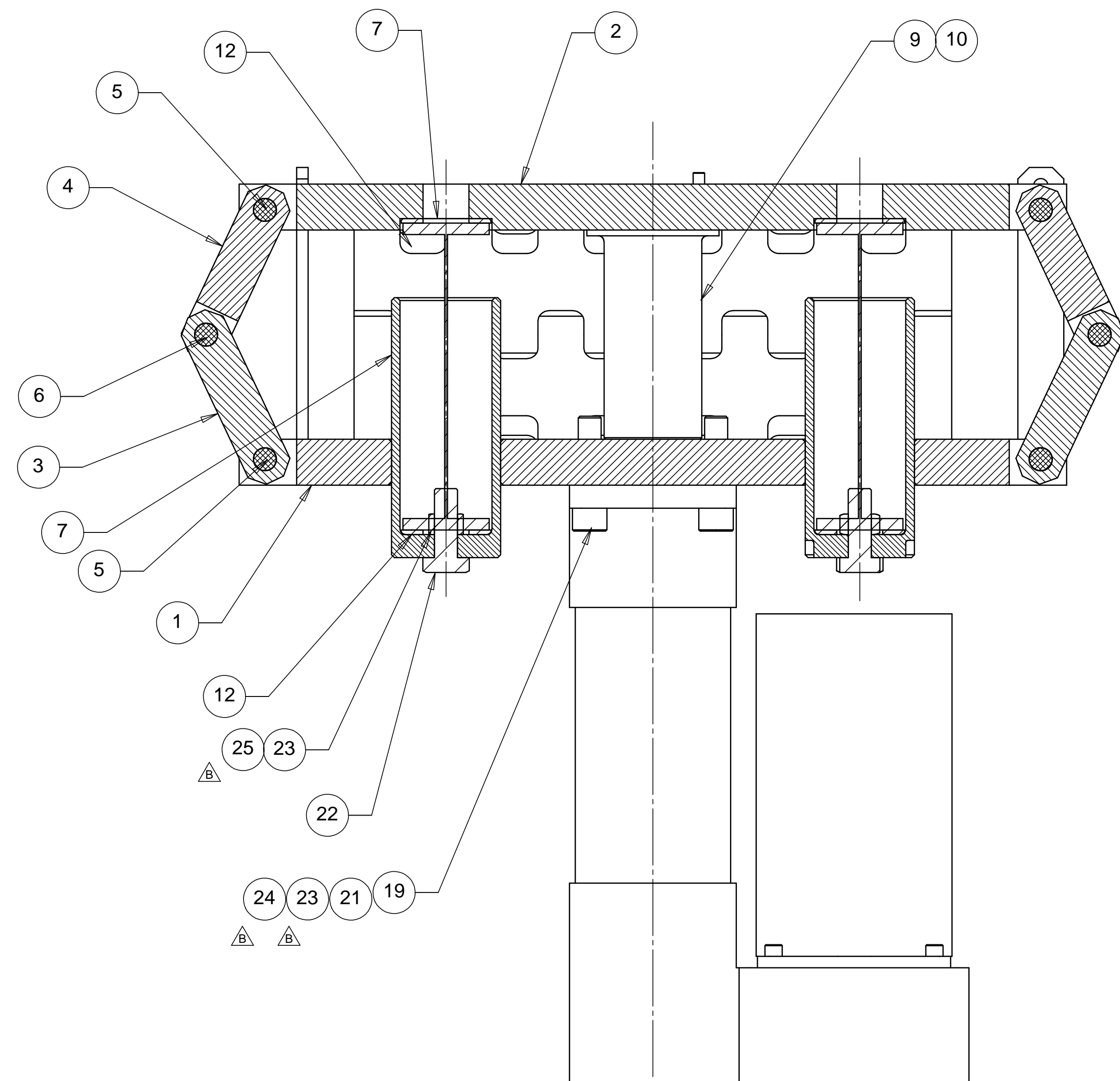
2

1

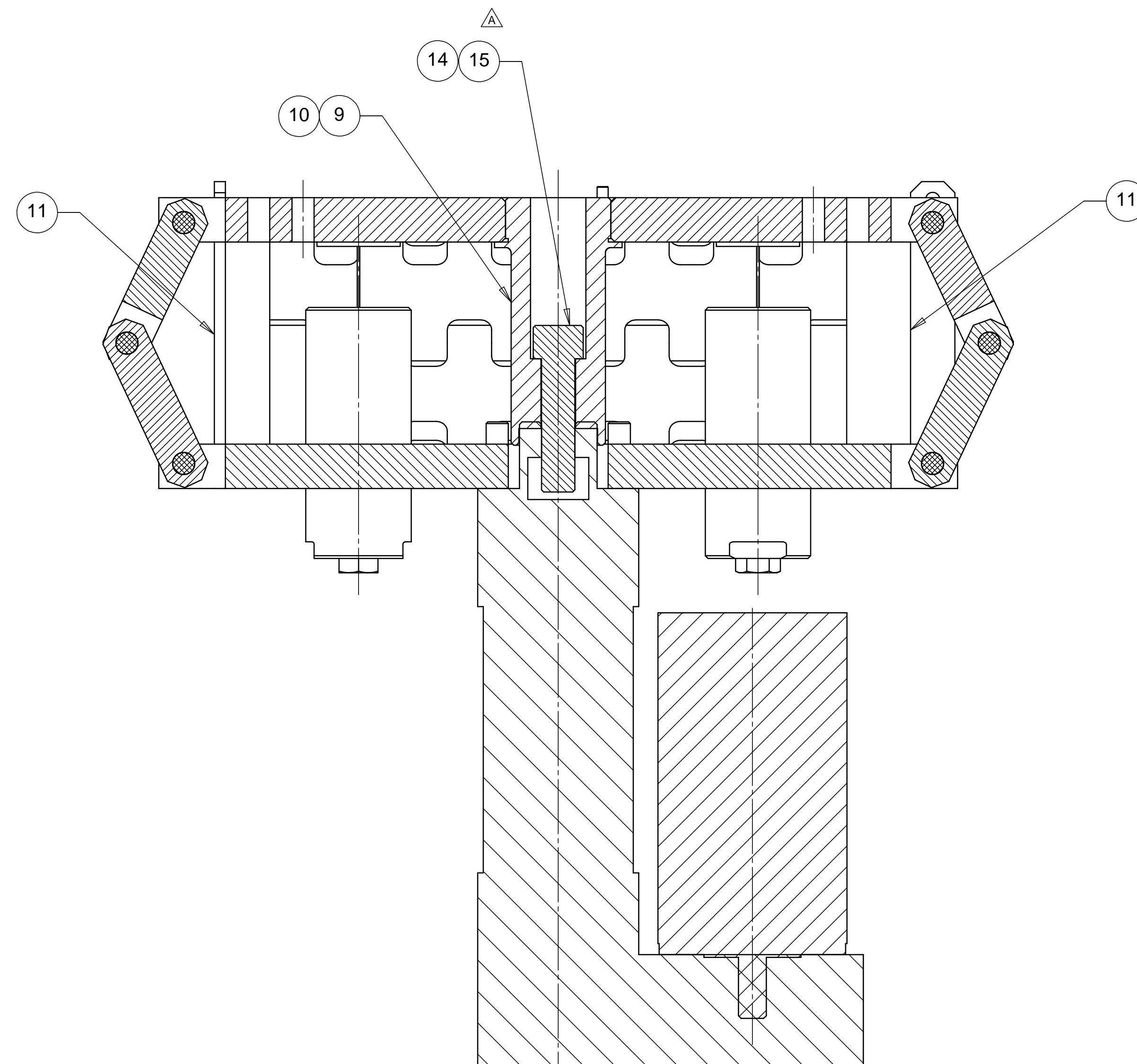
REVISIONS			
REV	DESCRIPTION	DATE	APPROVED
A	SEE ECN# D972104-A FOR CHANGE LIST	06/08/98	T. THOMPSON
B	SEE ECN# D972104-B FOR CHANGE LIST	10/02/98	T. THOMPSON
C	SEE ECN# D972104-C FOR CHANGE LIST	10/08/98	T. THOMPSON
D	SEE ECN# D972104-D FOR CHANGE LIST	04/23/99	T. THOMPSON
E	SEE ECN# D972104-E FOR CHANGE LIST	05/25/99	T. THOMPSON

D

D



TYP SECTION THRU SPRINGS



SECTION THRU DRIVE SHAFT

C

C

B

B

A

A

8

7

6

5

4

3

2

1

PARTS LIST			
UNLESS OTHERWISE SPECIFIED: DIMENSIONS ARE IN INCHES -TOLERANCES-	CAD GENERATED DRAWING. DO NOT MANUALLY UPDATE DO NOT SCALE DRAWING		TITLE HYTEC, INC LIGO SCISSORS TABLE ASSEMBLY
	DECIMALS .X = +/- .1 .XX = +/- .03 .XXX = +/- .010	ANGULAR = +/- .30° SURFACE FINISH = 250	
FINISH	SIGNATURE	DATE	DWG. NO.
	DESIGNED ROGER L. SMITH	01-26-98	SIZE
	DRAWN ROGER L. SMITH	04-17-98	SHEET NO.
PART NO. D972104-1 & 3	CHECKED HARRY SALAZAR	03-30-98	D972104
	ENGR. E. SWENSEN	04-17-98	D 2 of 2
	APPROVED T. THOMPSON	04-17-98	REVISION E