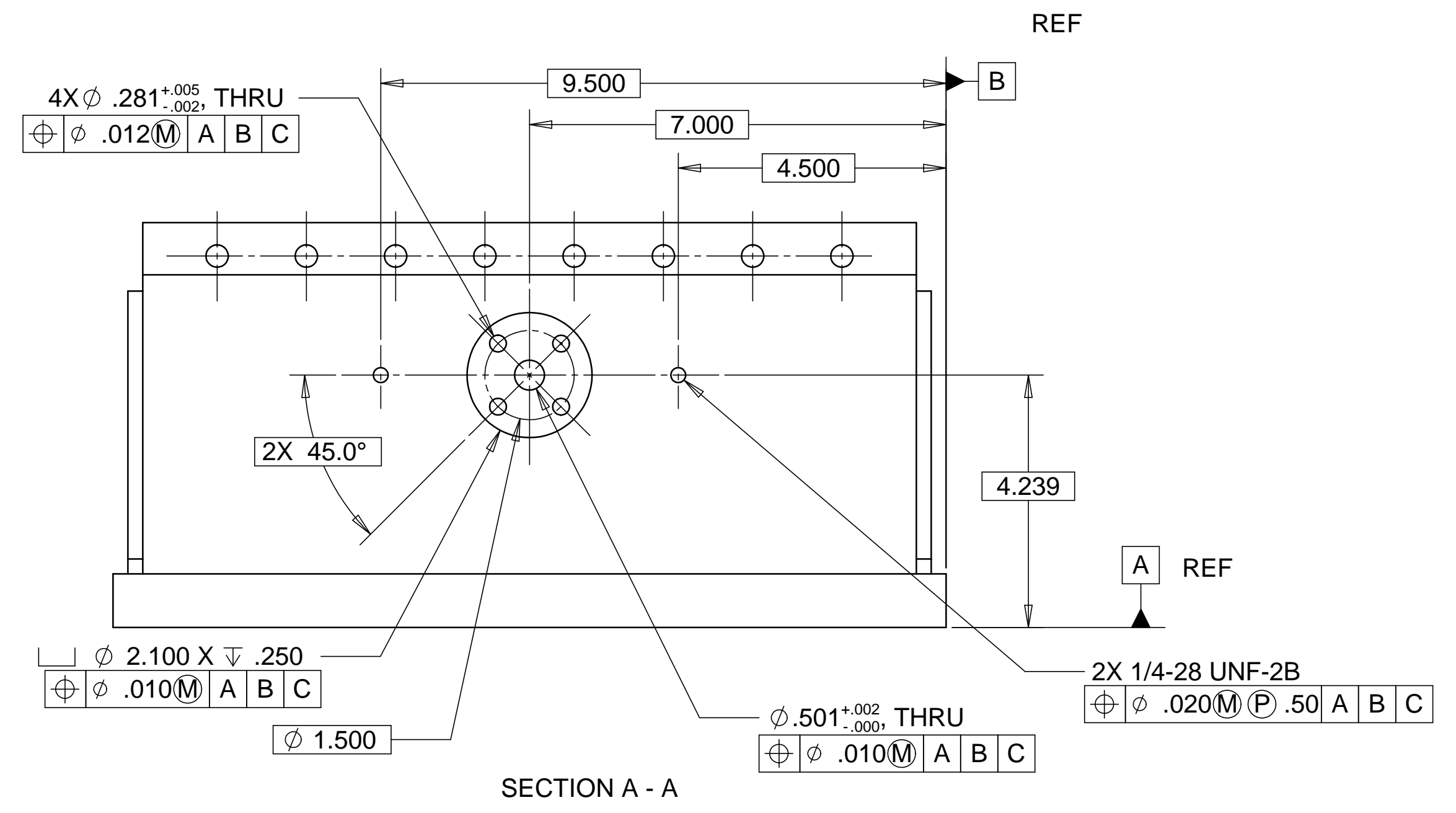
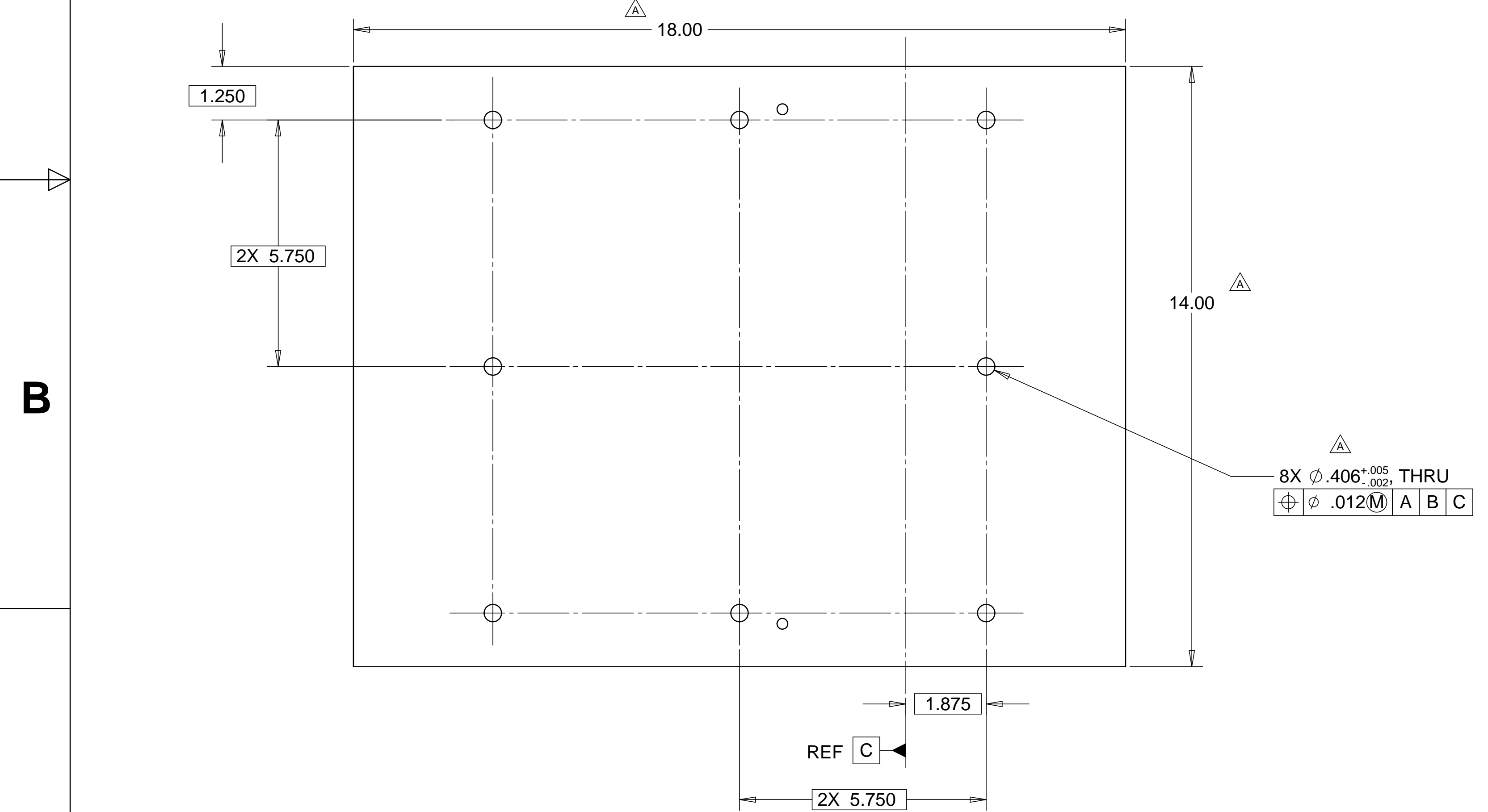
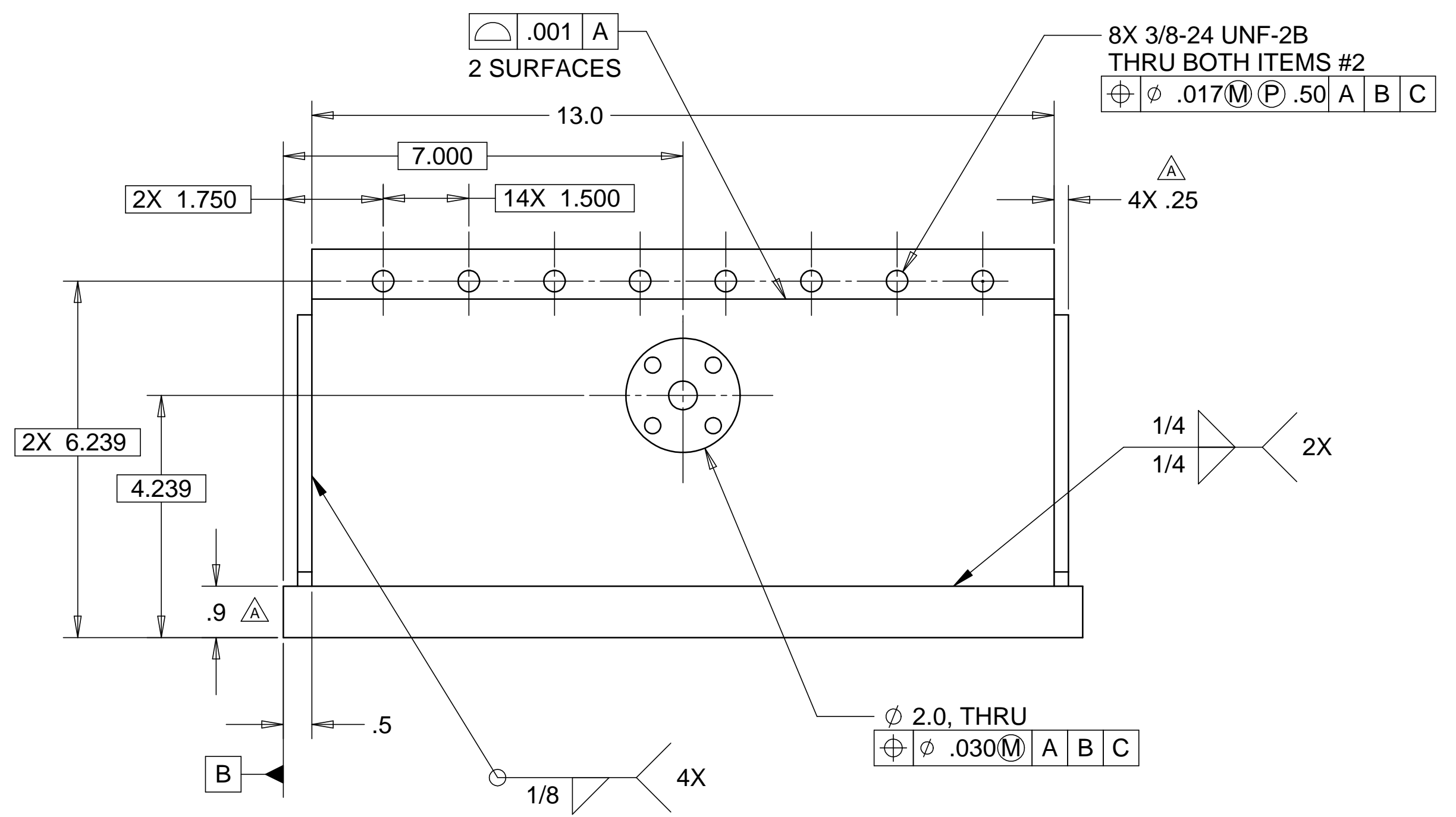
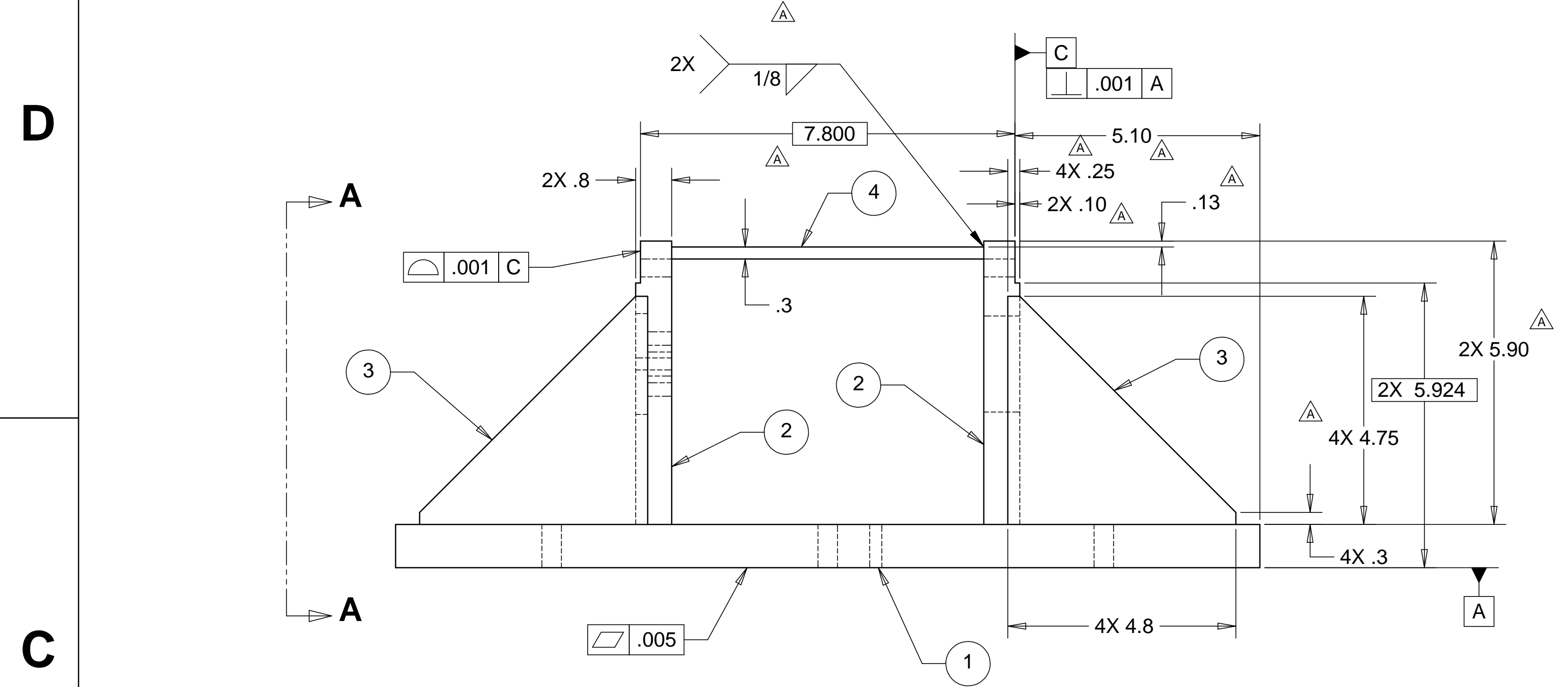


8 7 6 5 4 3 2 1

REVISIONS		DATE	APPROVED
REV. A	DESCRIPTION SEE ECN# D972110-A FOR CHANGE LIST	05-14-98	T. THOMPSON



NOTES: UNLESS OTHERWISE SPECIFIED

- ALL DIMENSIONS IN INCHES
- DIMENSIONS AND TOLERANCING PER ANASI Y14.5M-1994
- SURFACE TEXTURE PER ANI/ASME B 46.1-1985
- REMOVE ALL BURRS AND BREAK SHARP EDGES TO A MAXIMUM OF .015
- ALL INSIDE CORNERS TO BE .015 RADIUS MAX
- COUNTERSINK 82 DEGREES ALL TAPPED HOLES TO MAJOR DIAMETER
- COUNTERSINK 82 DEGREES APPROXIMATELY .03/.06 DEEP ALL DRILLED HOLES
- PARTS TO BE THOROUGHLY CLEANED TO REMOVE ALL OIL, GREASE, DIRT AND CHIPS
- PART NUMBER (DRAWING NO. PLUS DASH NO. PLUS SERIAL NO.) TO BE CLEARLY MARKED ON THE PART ITSELF.

WEIGHT: 111.8 lbs.

ITEM NO.	QTY.	DESCRIPTION	MATERIAL
1	1	PLATE	303 SST
2	2	PLATE	303 SST
3	4	PLATE	303 SST
4	1	PLATE, 13.0 LG.	303 SST

PARTS LIST			
UNLESS OTHERWISE SPECIFIED: DIMENSIONS ARE IN INCHES -TOLERANCES-		CAD GENERATED DRAWING, DO NOT MANUALLY UPDATE DO NOT SCALE DRAWING	
DECIMALS X = +/- .1 .XX = +/- .03 .XXX = +/- .010	ANGULAR = +/- .30° SURFACE FINISH = 250	<p><b>HYTEC, INC</b></p> <p>TITLE LIGO FINE X TRANSLATION BOTTOM FRAME</p>	
FINISH	SIGNATURE	DATE	DWG. NO.
	ROGER L. SMITH	10-22-97	D972110
DRAWN	ROGER L. SMITH	15-20-97	SIZE
CHECKED	HARRY SALAZAR	11-28-97	SHEET NO.
ENGR.	ERIC PONSLET	12-01-97	D 1 of 1
APPROVED	T. THOMPSON	11-21-97	REVISION A
PART NO. D972110-1		SCALE 1/1	

8 7 6 5 4 3 2 1