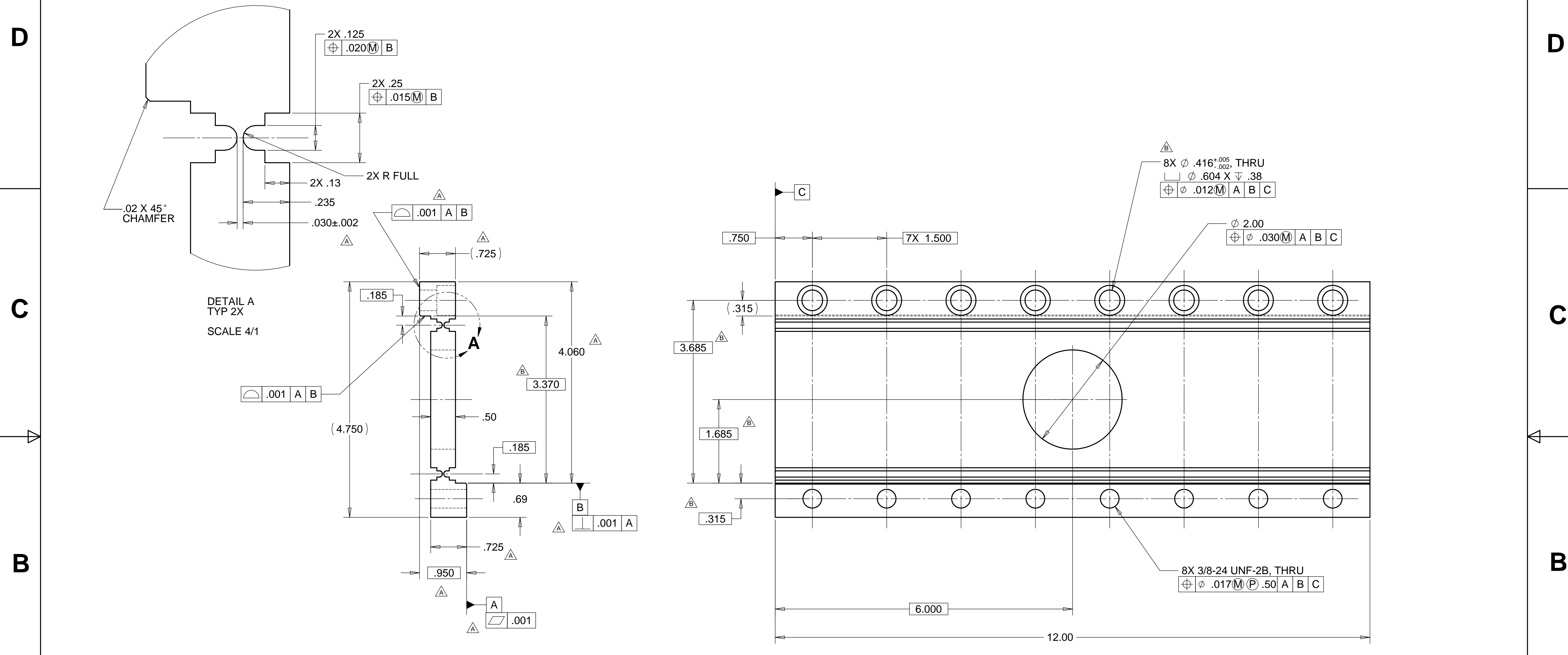


8 7 6 5 4 3 2 1

REVISIONS		DATE	APPROVED
REV	DESCRIPTION		
A	SEE ECN# D972113-A FOR CHANGE LIST	05/14/98	T. THOMPSON
B	SEE ECN# D972113-B FOR CHANGE LIST	03/16/99	T. THOMPSON



DETAIL A
TYP 2X
SCALE 4/1

NOTES: UNLESS OTHERWISE SPECIFIED

1. ALL DIMENSIONS IN INCHES
2. DIMENSIONS AND TOLERANCING PER ANAS1 Y14.5M-1994
3. SURFACE TEXTURE PER ANI/ASME B 46.1-1985
4. REMOVE ALL BURRS AND BREAK SHARP EDGES TO A MAXIMUM OF .015
5. ALL INSIDE CORNERS TO BE .015 RADIUS MAX
6. COUNTERSINK 82 DEGREES ALL TAPPED HOLES TO MAJOR DIAMETER
7. COUNTERSINK 82 DEGREES APPROXIMATELY .03/.06 DEEP ALL DRILLED HOLES
8. PARTS TO BE THOROUGHLY CLEANED TO REMOVE ALL OIL, GREASE, DIRT AND CHIPS
9. PART NUMBER (DRAWING NO. PLUS DASH NO. PLUS SERIAL NO.) TO BE CLEARLY MARKED ON THE PART ITSELF.

MATL: 17-4PH STAINLESS STEEL - H900
WEIGHT: 8.3 lbs.

PARTS LIST			
UNLESS OTHERWISE SPECIFIED: DIMENSIONS ARE IN INCHES -TOLERANCES-		CAD GENERATED DRAWING. DO NOT MANUALLY UPDATE DO NOT SCALE DRAWING	
DECIMALS	ANGULAR = +/- .30°	<p style="text-align: center;">HYTEC, INC</p> <p style="text-align: center;">TITLE LIGO FINE X TRANSLATION FLEXURE - A</p>	
.X = +/- .1			
.XX = +/- .03			
.XXX = +/- .010	SURFACE FINISH = 250		
FINISH	SIGNATURE	DATE	
	ROGER L. SMITH	10-22-97	
	ROGER L. SMITH	15-20-97	
	HARRY SALAZAR	11-28-97	
	ERIC PONSLET	12-01-97	
	T. THOMPSON	11-21-97	
PART NO.	D972113-1		SCALE 1/1
			REVISION B

8 7 6 5 4 3 2 1