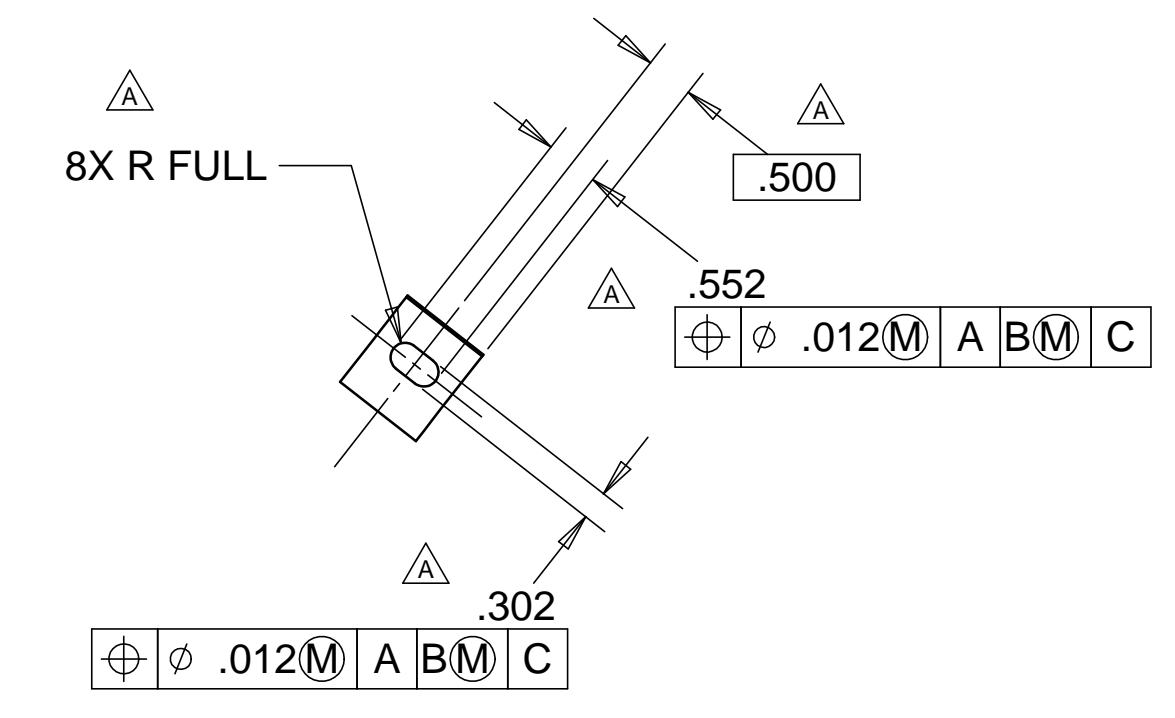
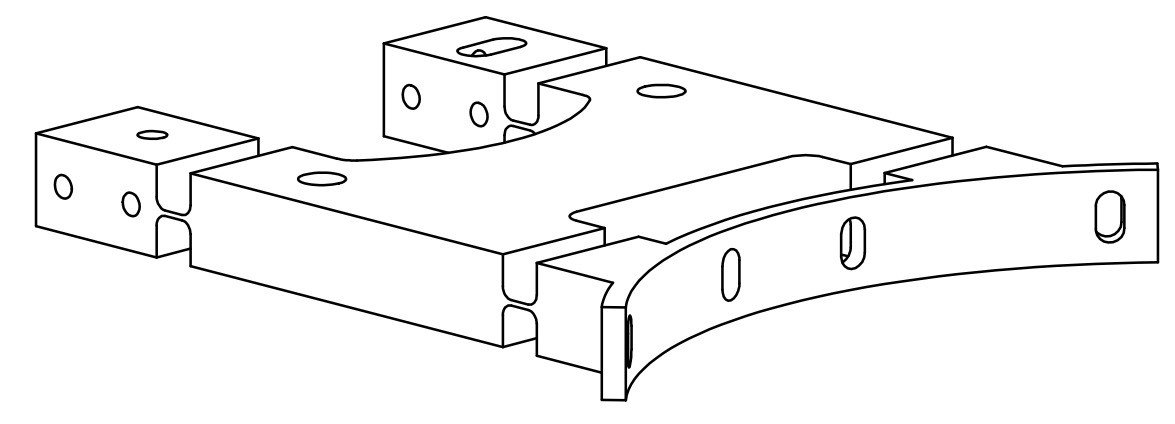
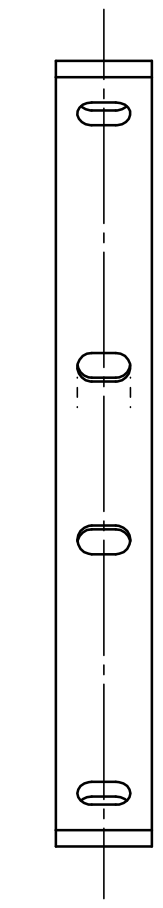
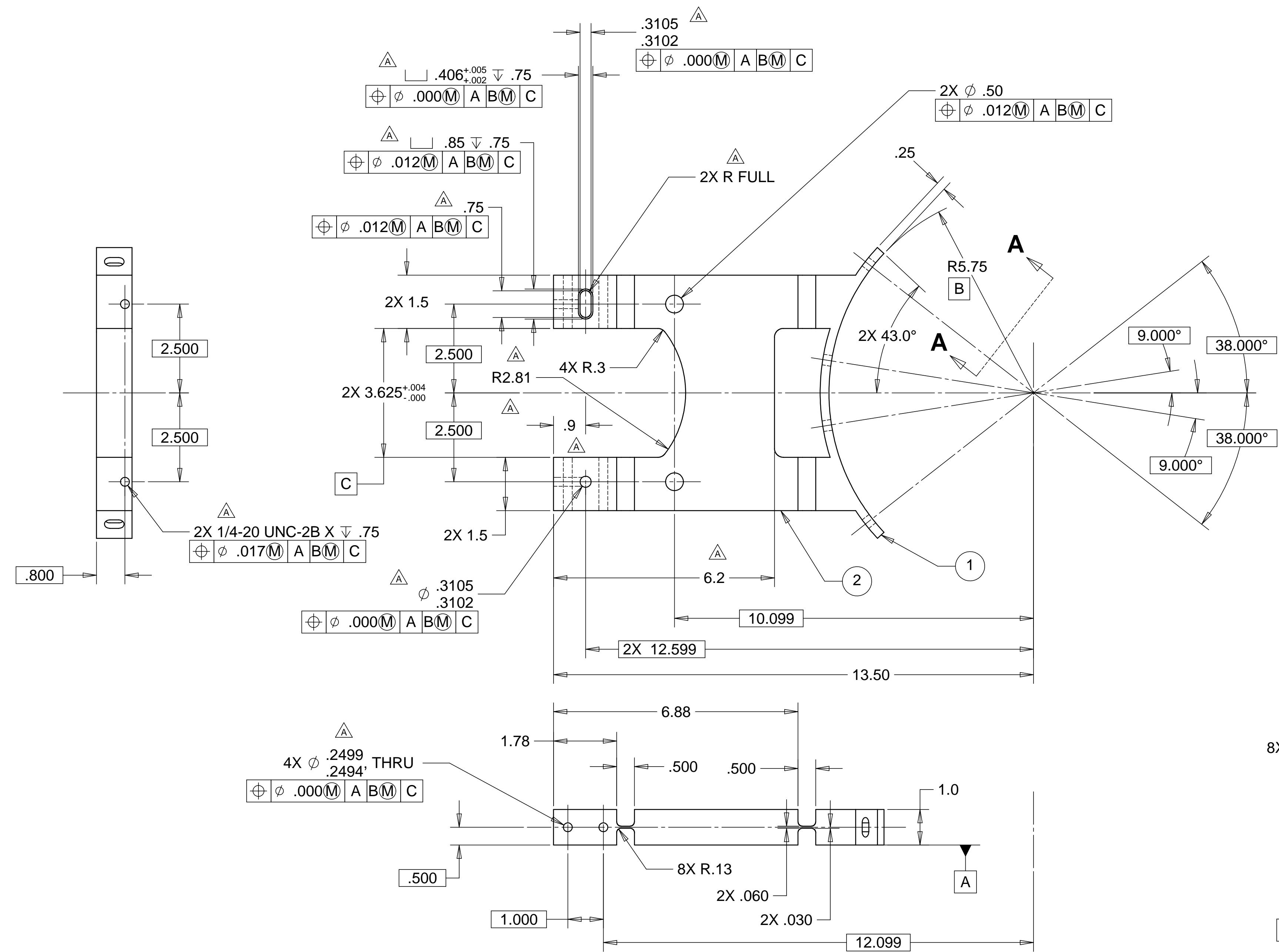


REVISIONS			
REV.	DESCRIPTION	DATE	APPROVED
A	SEE ECN# D972139-A FOR CHANGE LIST	05-05-98	T. THOMPSON



SECTION A-A

WEIGHT: 9.0 lbs.

- NOTES: UNLESS OTHERWISE SPECIFIED
1. ALL DIMENSIONS IN INCHES
 2. DIMENSIONS AND TOLERANCING PER ANASI Y14.5M-1994
 3. SURFACE TEXTURE PER ANI/ASME B 46.1-1985
 4. REMOVE ALL BURRS AND BREAK SHARP EDGES TO A MAXIMUM OF .015
 5. ALL INSIDE CORNERS TO BE .015 RADIUS MAX
 6. COUNTERSINK 82 DEGREES ALL TAPPED HOLES TO MAJOR DIAMETER
 7. COUNTERSINK 82 DEGREES APPROXIMATELY .03/.06 DEEP ALL DRILLED HOLES
 8. PARTS TO BE THOROUGHLY CLEANED TO REMOVE ALL OIL, GREASE, DIRT AND CHIPS
 9. PART NUMBER (DRAWING NO. PLUS DASH NO. PLUS SERIAL NO.) TO BE CLEARLY MARKED ON THE PART ITSELF.

ITEM NO.	QTY.	DESCRIPTION	MATERIAL
1	1	MOUNTING STRAP	17-4 PH STAINLESS
2	1	FLEXURE PLATE	17-4 PH STAINLESS

PARTS LIST				HYTEC, INC	
UNLESS OTHERWISE SPECIFIED: DIMENSIONS ARE IN INCHES -TOLERANCES-		CAD GENERATED DRAWING, DO NOT MANUALLY UPDATE DO NOT SCALE DRAWING		TITLE LIGO COARSE X-Y TRANSLATION PITCH FLEXURE ARM	
DECIMALS .X = +/- .1 .XX = +/- .03 .XXX = +/- .010	ANGULAR = +/- .30° SURFACE FINISH = 250	SIGNATURE	DATE	DWG. NO.	SIZE SHEET NO.
FINISH		DESIGNED ROGER L. SMITH	11-17-97	D972139	D 1 of 1
		DRAWN ROGER L. SMITH	11-17-97		
		CHECKED HARRY SALAZAR	11-24-97		
		ENGR. ERIK SWENSEN	11-17-97		
PART NO. D972139-1		APPROVED T. THOMPSON	11-17-97	SCALE 2/1	REVISION A