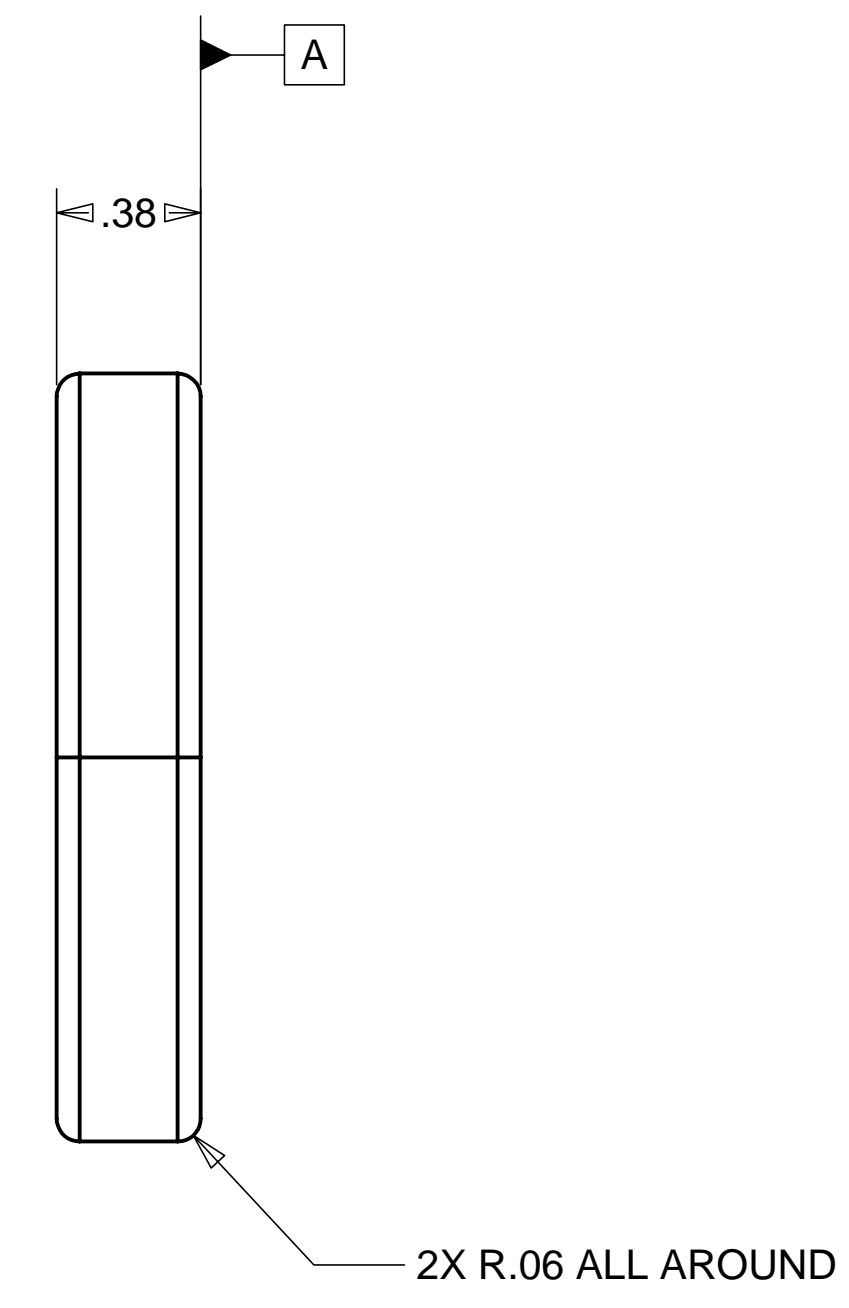
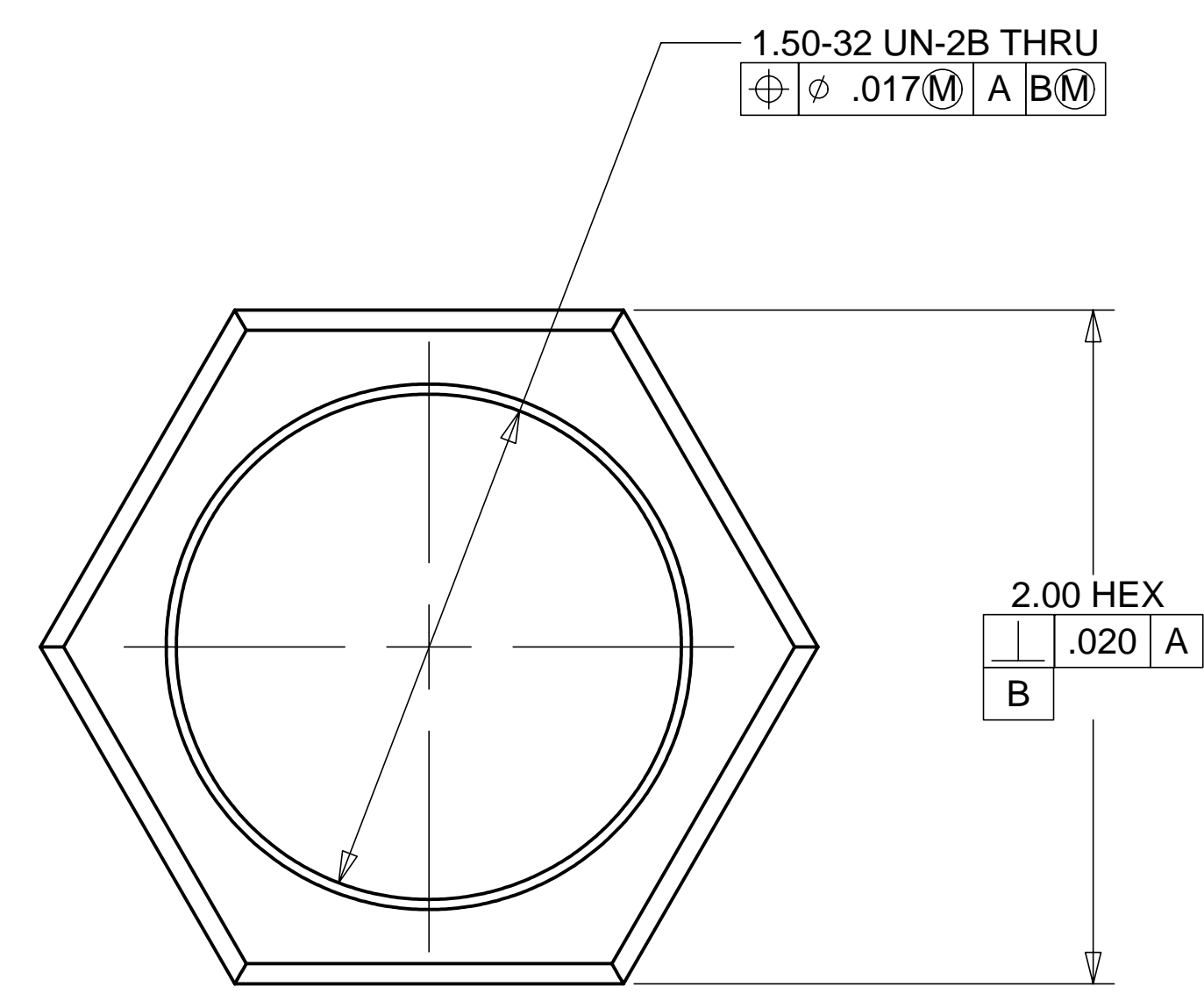


8 7 6 5 4 3 2 1

REV	DESCRIPTION	REVISIONS	DATE	APPROVED

D
C
B
A

D
C
B
A



MATERIL: STAINLESS STEEL
WEIGHT: .05 POUNDS

NOTES: UNLESS OTHER WISE SPECIFIED

1. ALL DIMENSIONS IN INCHES
2. DIMENSIONS AND TOLERANCING PER ANAS Y14.5M-1994
3. SURFACE TEXTURE PER ANI/ASME B 46.1-1985
4. REMOVE ALL BURRS AND BREAK SHARP EDGES TO A MAXIMUM OF .015
5. ALL INSIDE CORNERS TO BE .015 RADIUS MAX
6. COUNTERSINK 82 DEGREES ALL TAPPED HOLES TO MAJOR DIAMETER
7. COUNTERSINK 82 DEGREES APPROXIMATELY .03/.06 DEEP ALL DRILLED HOLES
8. PARTS TO BE THOROUGHLY CLEANED TO REMOVE ALL OIL, GREASE, DIRT AND CHIPS
9. PART NUMBER (DRAWING NO., DASH NO., REVISION NO., SERIAL NO.) TO BE CLEARLY MARKED ON THE PART ITSELF.

ITEM NO.	QTY.	PART NO.	DESCRIPTION
PARTS LIST			
UNLESS OTHERWISE SPECIFIED: DIMENSIONS ARE IN INCHES -TOLERANCES-		CAD GENERATED DRAWING, DO NOT MANUALLY UPDATE DO NOT SCALE DRAWING	
DECIMALS .X = +/- .1 .XX = +/- .03 .XXX = +/- .010	ANGULAR = +/- .30° SURFACE FINISH = 250	HYTEC, INC	
FINISH	SIGNATURE	DATE	TITLE
DESIGNED	ROGER L. SMITH	1-8-99	LIGO BEARING HOUSING LOCK NUT
DRAWN	H. SALAZAR	1-9-99	
PART NO. D972155-1	CHECKED	ROGER L. SMITH	1-12-99
	ENGR.	ERIC PONSLET	1-8-99
	APPROVED	T. THOMPSON	1-15-99
DWG. NO. D972155		SCALE 2/1	SIZE D SHEET NO. 1 of 1
			REVISION

8 7 6 5 4 3 2 1