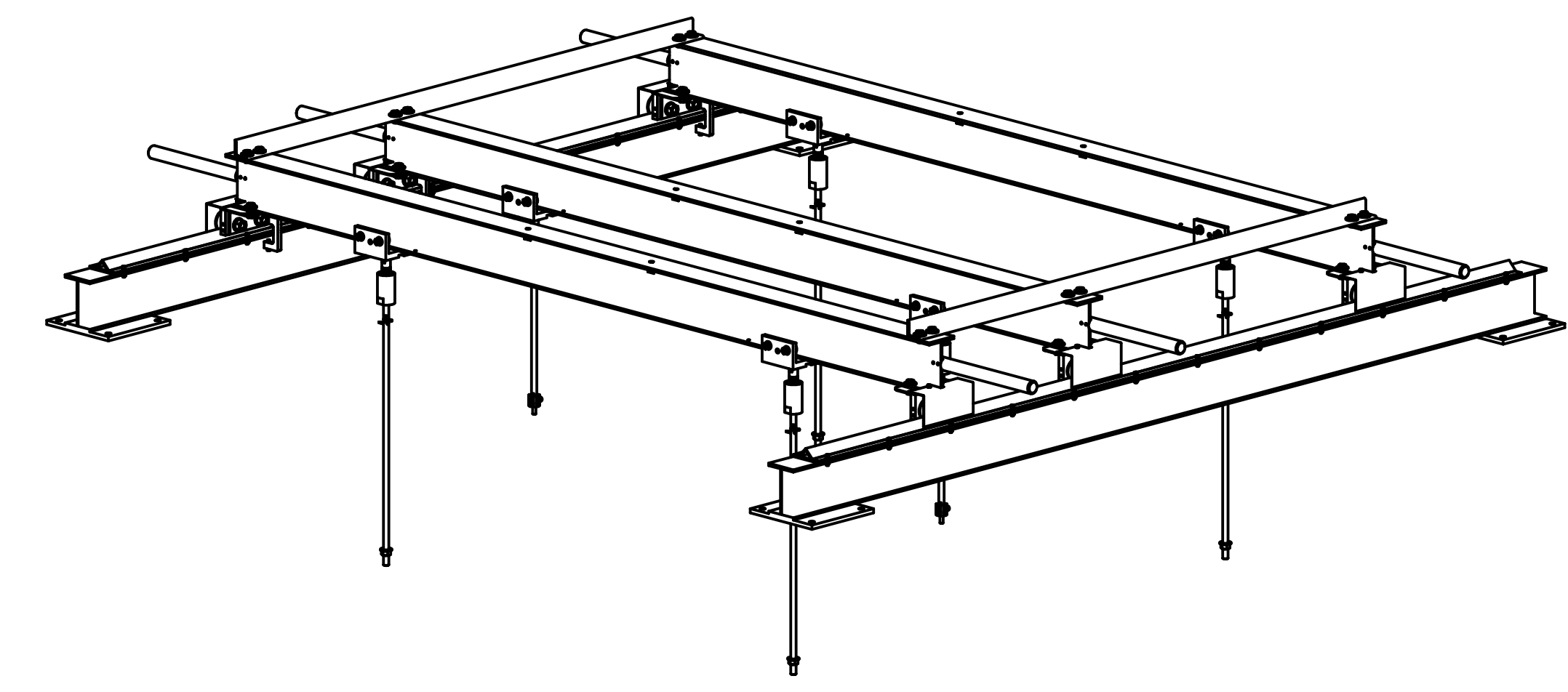
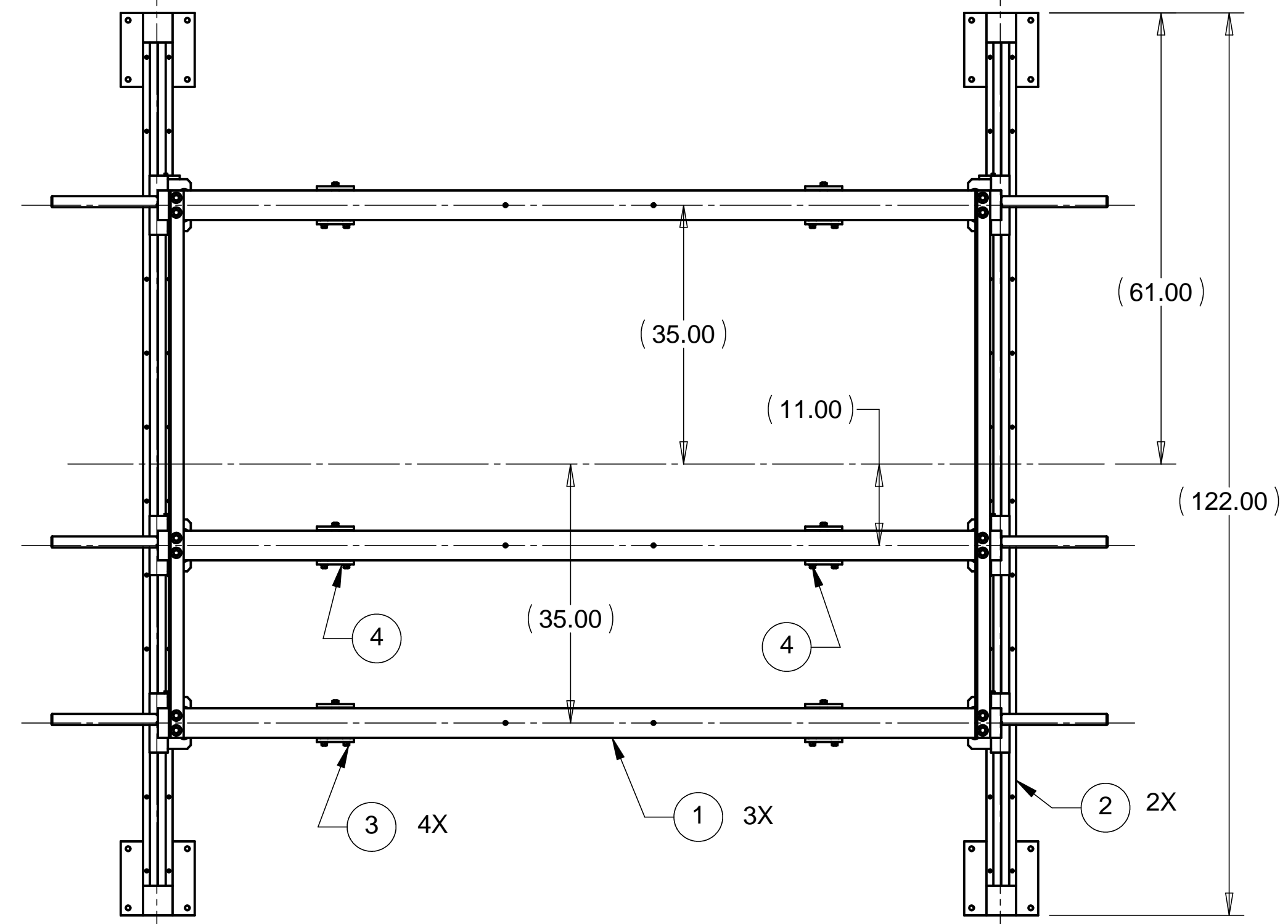


8 7 6 5 4 3 2 1

REVISIONS			
REV.	DESCRIPTION	DATE	APPROVED

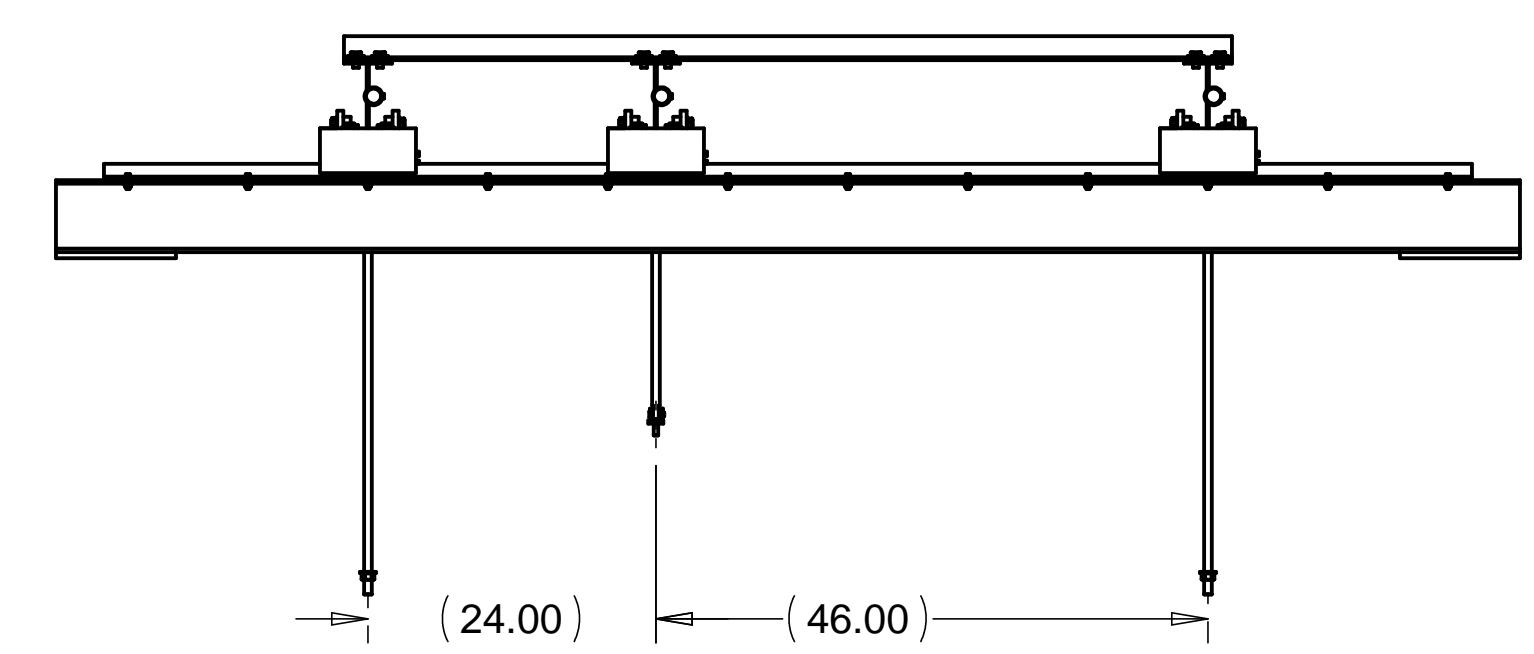
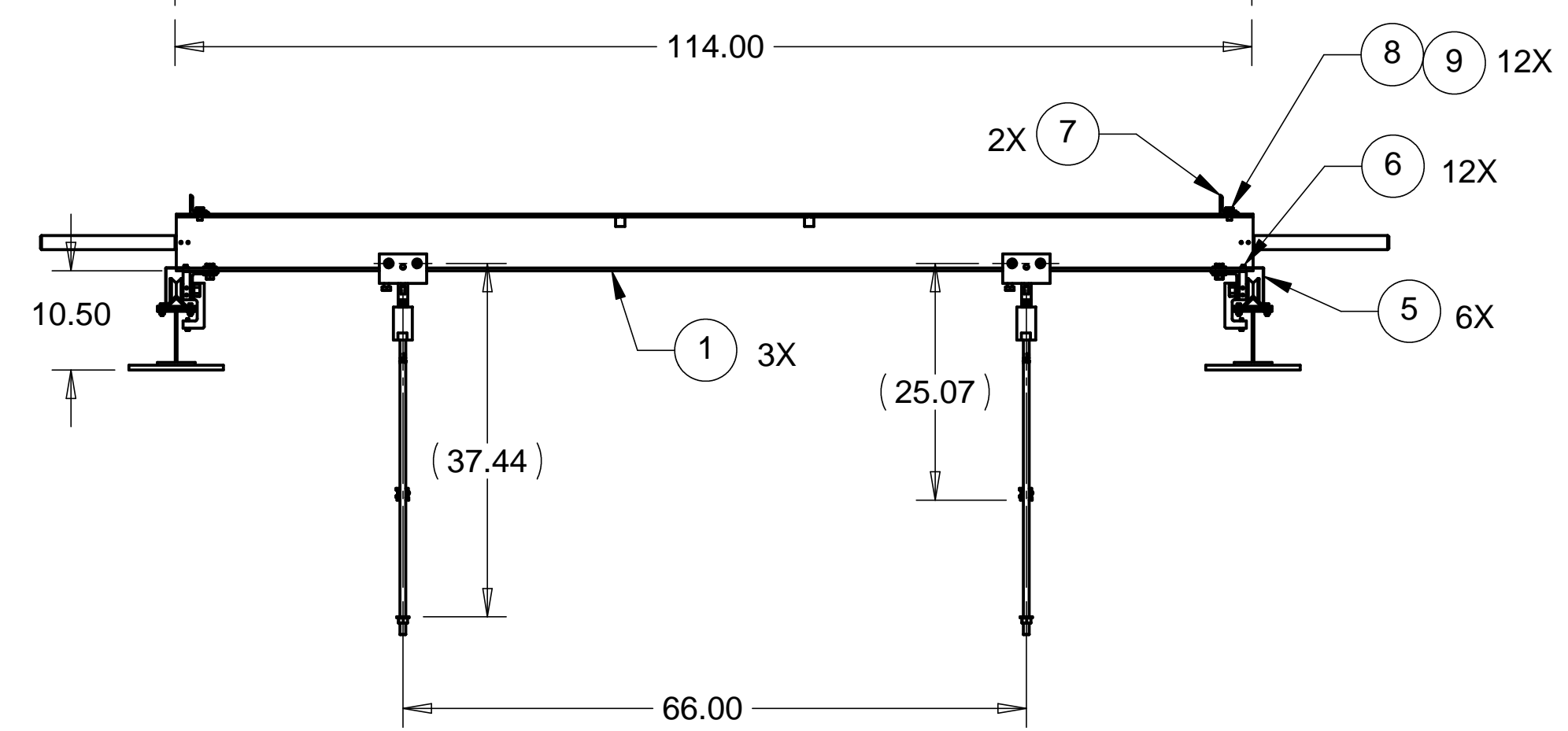
D

D



C

C



B

B

A

A

NOTES: UNLESS OTHERWISE SPECIFIED

- ALL DIMENSIONS IN INCHES
- DIMENSIONS AND TOLERANCING PER ASME Y14.5M-1994
- SURFACE TEXTURE PER ANSI/ASME B 46.1-1985
- REMOVE ALL BURRS AND BREAK SHARP EDGES TO A MAXIMUM OF .015
- ALL INSIDE CORNERS TO BE .015 RADIUS MAX
- COUNTERSINK 82 DEGREES ALL TAPPED HOLES TO MAJOR DIAMETER
- COUNTERSINK 82 DEGREES APPROXIMATELY .015 DEEP ALL DRILLED HOLES
- PARTS TO BE THOROUGHLY CLEANED TO REMOVE ALL OIL, GREASE, DIRT AND CHIPS
- PART NUMBER (DRAWING NO. PLUS DASH NO. PLUS SERIAL NO.) TO BE CLEARLY MARKED ON THE PART ITSELF.
- PART WEIGHS 531 Lbs.

ITEM NO.	QTY.	PART NO.	DESCRIPTION
1	3	D972385-1	BSC MINOR RAIL ASSEMBLY
2	2	D972384-1	BSC MAJOR RAIL ASSEMBLY
3	4	D972386-1	BSC TROLLEY AND LINKAGE ASSEMBLY #1
4	2	D972387-1	BSC TROLLEY AND LINKAGE ASSEMBLY #2
5	6	D972944-1	MINOR RAIL ROLLER COVERPLATE
6	12	STD HARDWARE	SST SOCKET HEAD CAPSCREW, 1/4-20 UNC-2A X .50 LONG
7	2	D972427-1	BSC MINOR RAIL TIE DOWN BRACKET
8	12	STD HARDWARE	HEX HEAD SST BOLT, 1/2-13 UNC-2A X .75 LONG
9	12	STD HARDWARE	WASHER, SST 1/2 FLAT

PARTS LIST			
UNLESS OTHERWISE SPECIFIED: DIMENSIONS ARE IN INCHES -TOLERANCES-		CAD GENERATED DRAWING, DO NOT MANUALLY UPDATE DO NOT SCALE DRAWING	
DECIMALS .XX = +/- .06 .XXX = +/- .010	ANGULAR = +/- 30' SURFACE FINISH = 250	TITLE HYTEC, INC BSC RAIL SYSTEM ASSEMBLY	
FINISH	DESIGNED W. K. MILLER	SIGNATURE W. K. MILLER	DATE 1/17/98
PART NO. D972383-1	DRAWN HARRY SALAZAR	ENGR. T. THOMPSON	DATE 2/5/98
	CHECKED T. THOMPSON	APPROVED T. THOMPSON	DATE 2/5/98
	DWG. NO. D972383		SCALE 1/16
REVISION		REVISION	

8 7 6 5 4 3 2 1