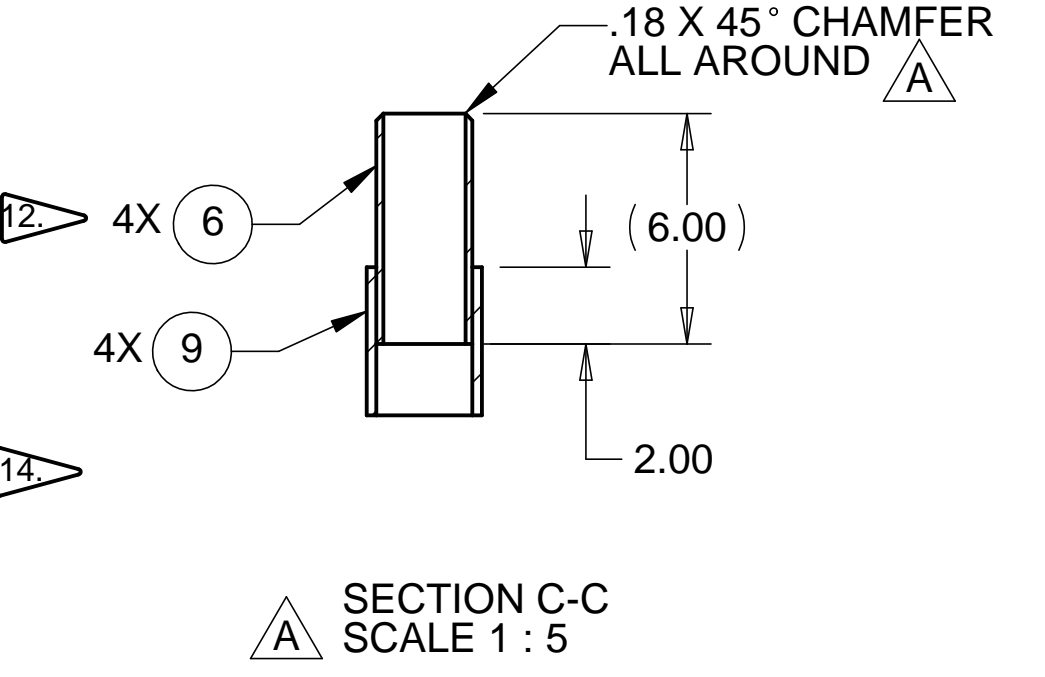
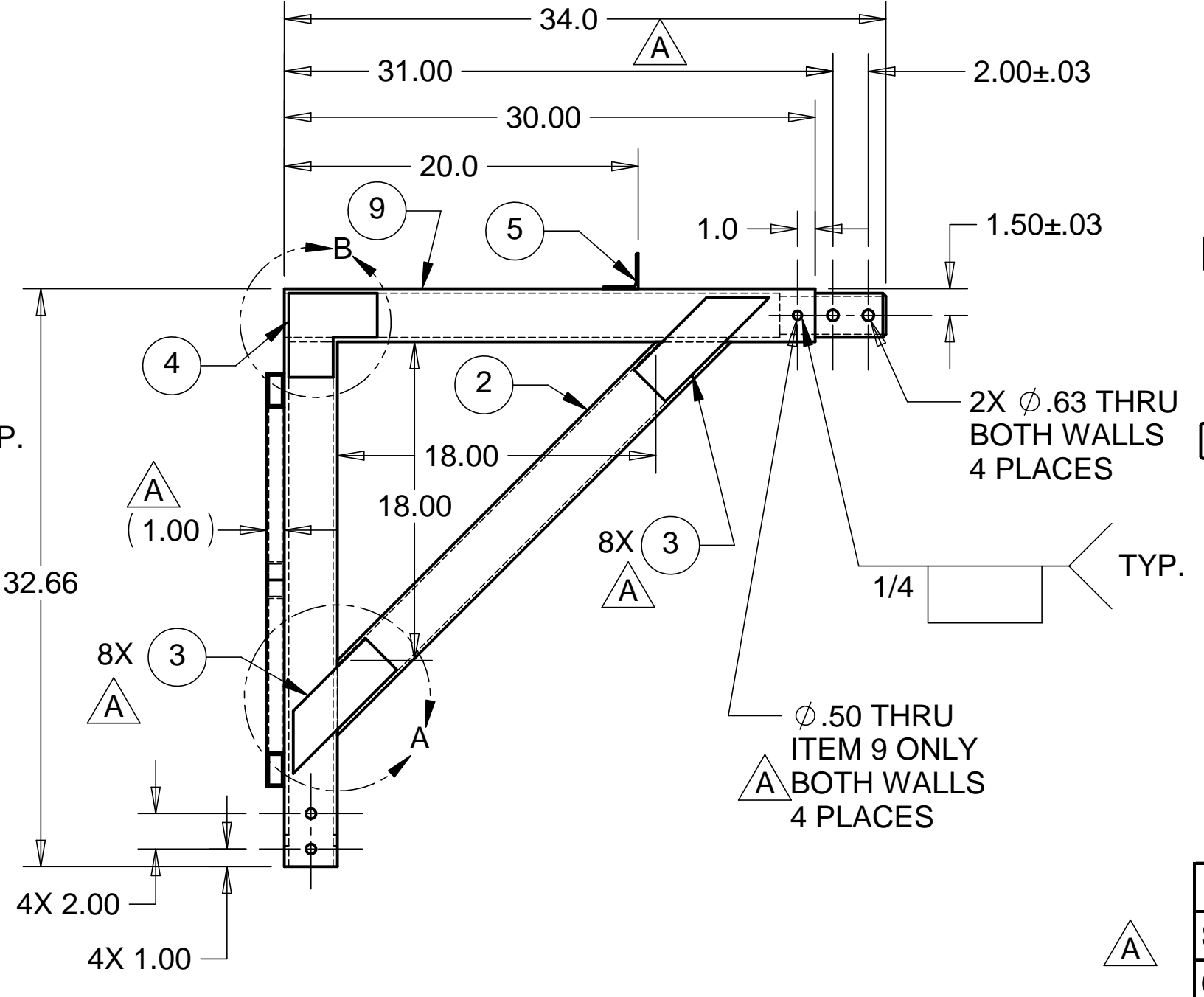
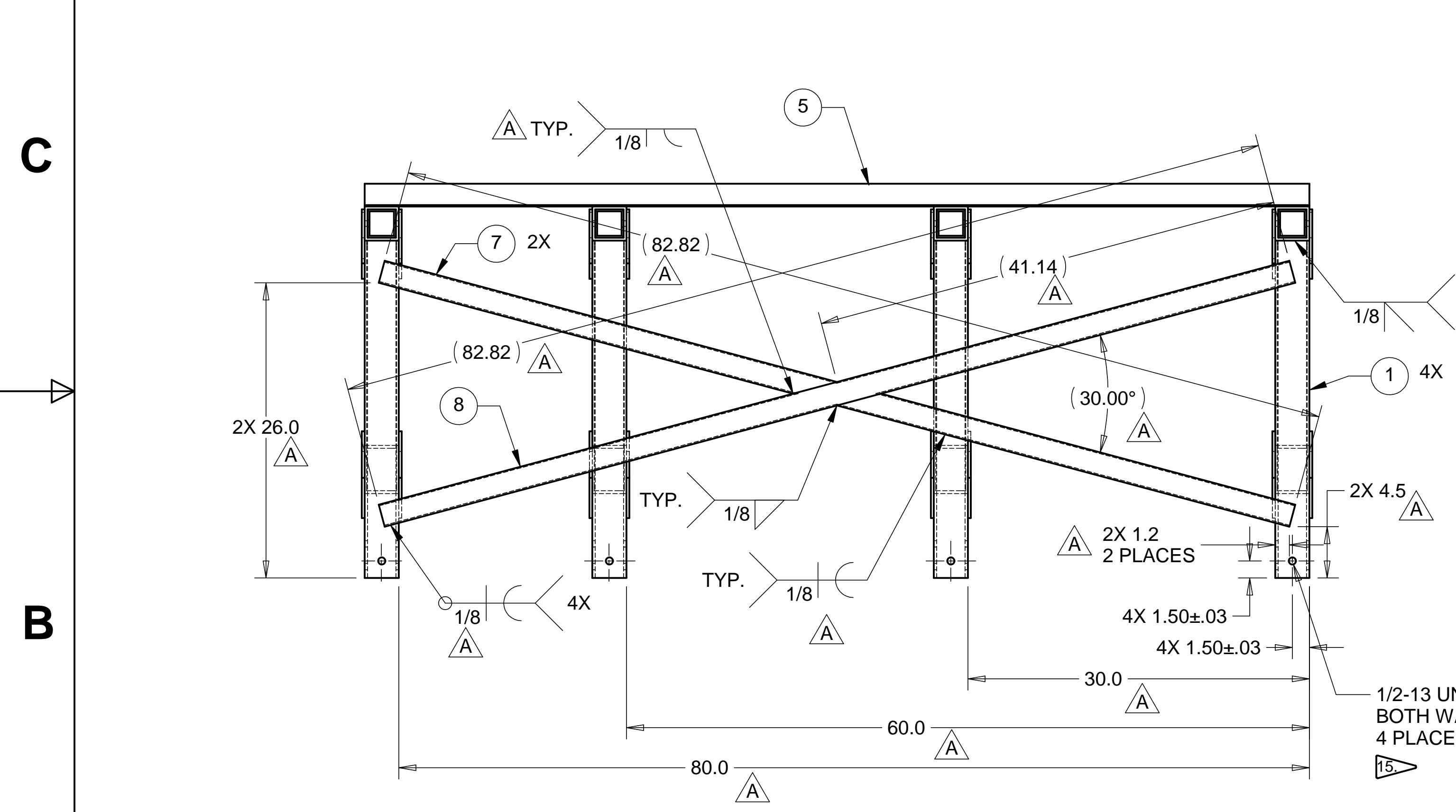
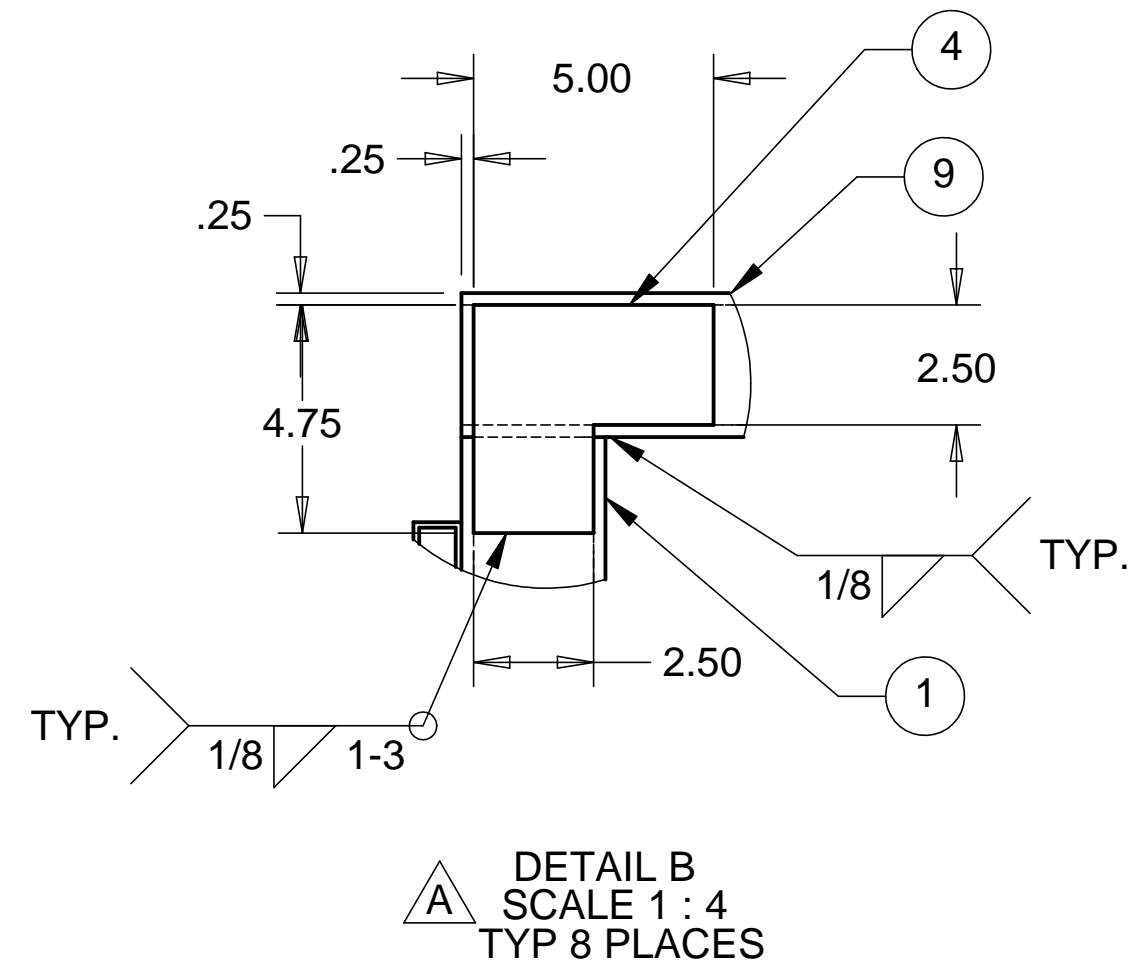
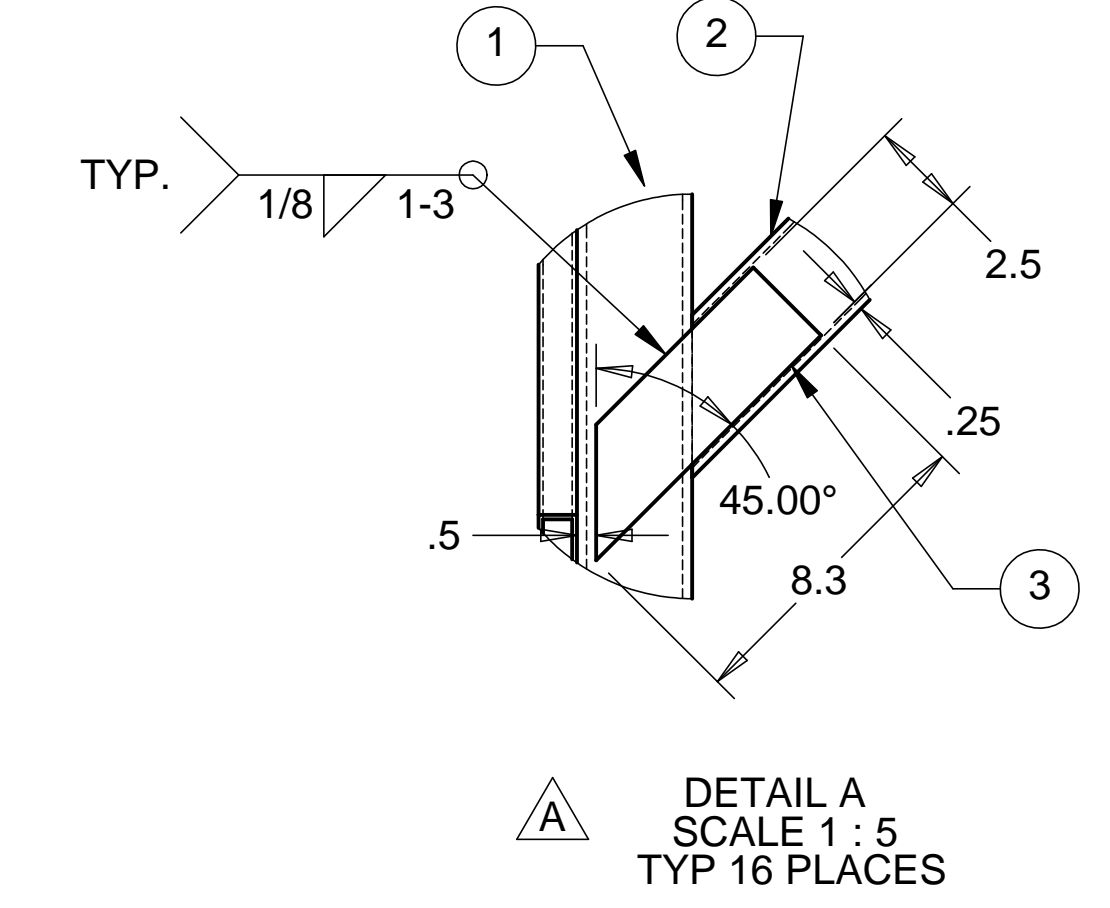
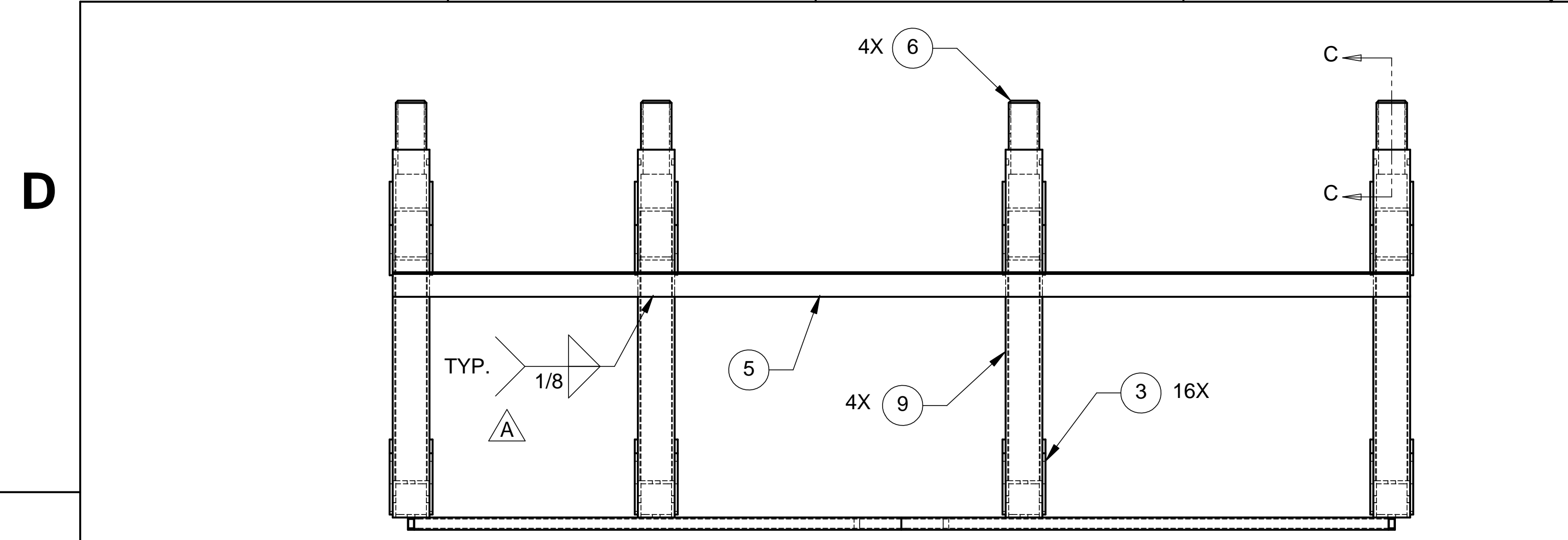


8 7 6 5 4 3 2 1

REV.	DESCRIPTION	DATE	APPROVED
A	ASSORTED CHANGES	3-16-98	WKM



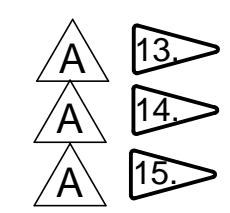
	PART NO.	DESCRIPTION
SHOWN	D972392-1	LEFT SIDE LEG WELDMENT
OPPOSITE SHOWN	D972392-2	RIGHT SIDE LEG WELDMENT

ITEM NO.	QTY.	DESCRIPTION	MATERIAL
1	4	TUBING, 3 X 3 X .25 WALL	A36 STEEL
2	4	TUBING, 3 X 3 X .18 WALL	A36 STEEL
3	16	1/8" THK GUSSET PLATE	1010 STEEL
4	8	1/8" THK GUSSET PLATE	1010 STEEL
5	1	ANGLE, 2 X 2 X 1/4" THK	A36 STEEL
6	4	TUBING, 2 1/2 X 2 1/2 X .25 WALL	A36 STEEL
7	2	TUBING, 2 X 1.0 X .12 WALL	A36 STEEL
8	1	TUBING, 2 X 1.0 X .12 WALL	A36 STEEL
9	4	TUBING, 3 X 3 X .25 WALL	A36 STEEL

NOTES: UNLESS OTHERWISE SPECIFIED

- ALL DIMENSIONS IN INCHES
- DIMENSIONS AND TOLERANCING PER ASME Y14.5M-1994
- SURFACE TEXTURE PER ANSI/ASME B 46.1-1985
- REMOVE ALL BURRS AND BREAK SHARP EDGES TO A MAXIMUM OF .015
- ALL INSIDE CORNERS TO BE .015 RADIUS MAX
- COUNTERSINK 82 DEGREES ALL TAPPED HOLES TO MAJOR DIAMETER
- COUNTERSINK 82 DEGREES APPROXIMATELY .015 DEEP ALL DRILLED HOLES
- PARTS TO BE THOROUGHLY CLEANED TO REMOVE ALL OIL, GREASE, DIRT AND CHIPS
- PART NUMBER (DRAWING NO. PLUS DASH NO. PLUS SERIAL NO.) TO BE CLEARLY MARKED ON THE PART ITSELF.
- PART WEIGHS 340.5 Lbs.

- PRIMER (ALL VISIBLE SURFACES): SHERMAN WILLIAMS INDUSTRIAL WASH PRIMER PG062.
- PAINT (ALL VISIBLE SURFACES): SHERMAN WILLIAMS POLANE T POLYURETHANE COLOR BASIN, COLOR #F63TXL-4054-4352 FLAT.
- GRIND ITEM(S) 6 TO FIT INTO ITEM(S) 9 AND PART D972393.
- MATCH DRILL HOLES IN 6 TO PART D972393-1.
- MATCH DRILL HOLES IN ITEM 1 TO PART D972391-1, AND -2.



UNLESS OTHERWISE SPECIFIED: DIMENSIONS ARE IN INCHES -TOLERANCES-

DECIMALS: .XX = +/- .06, .XXX = +/- .030
 ANGULAR = +/- 30'
 SURFACE FINISH = 250

CAD GENERATED DRAWING. DO NOT MANUALLY UPDATE. DO NOT SCALE DRAWING.

HYTEC, INC

TITLE: BSC ROLLER ASSEMBLY UPPER LEG WELDMENT

FINISH: _____

DESIGNED	W. K. MILLER	DATE	2/9/98
DRAWN	W. K. MILLER	DATE	2/9/98
CHECKED	HARRY SALAZAR	DATE	3-16-98
ENGR.	T. THOMPSON	DATE	3-16-98
APPROVED	T. THOMPSON	DATE	3-16-98

PART NO. D972392-1, -2

DWG. NO. D972392 SIZE D SHEET NO. 1 of 1

SCALE 1/8 REVISION A

8 7 6 5 4 3 2 1