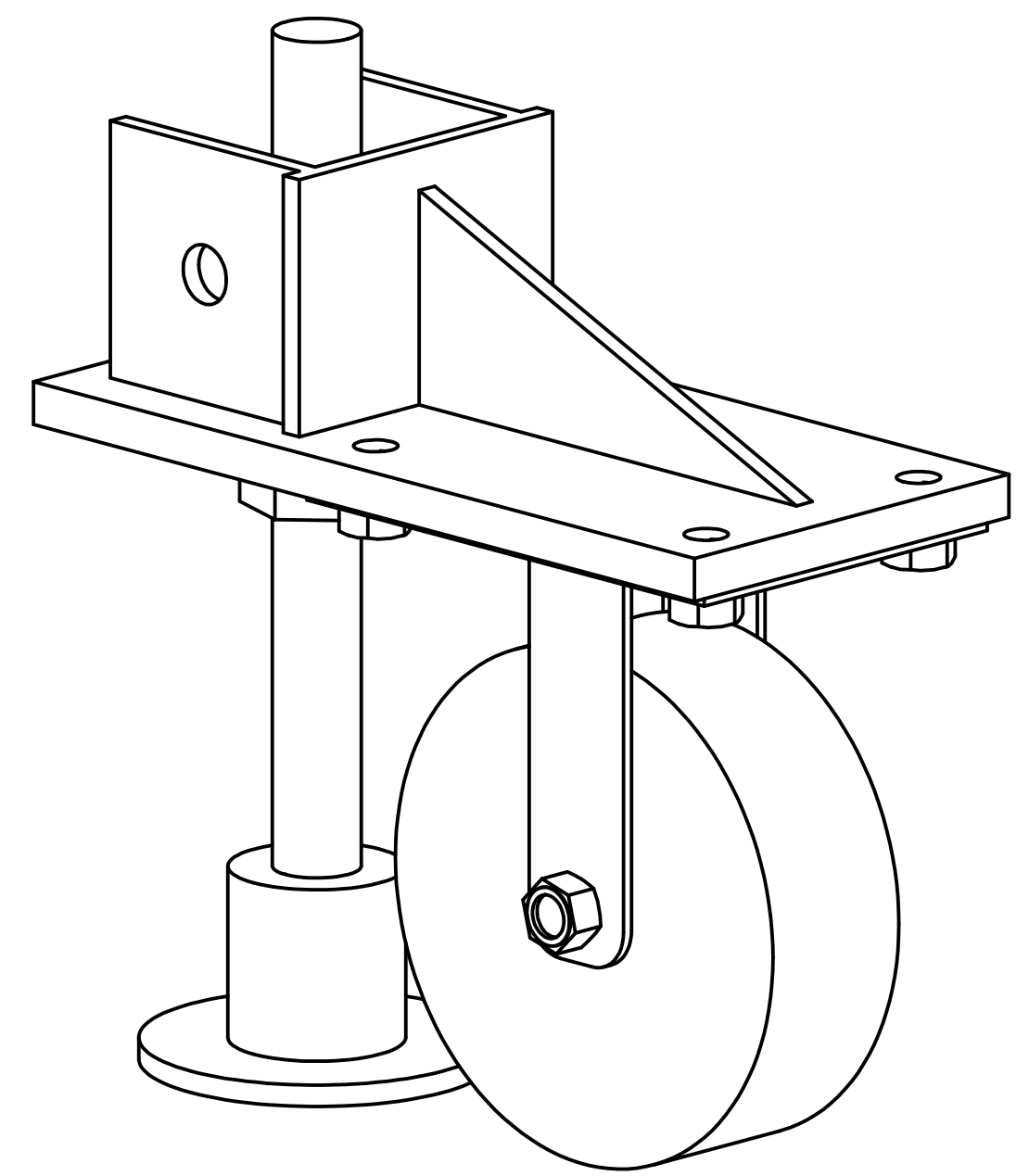
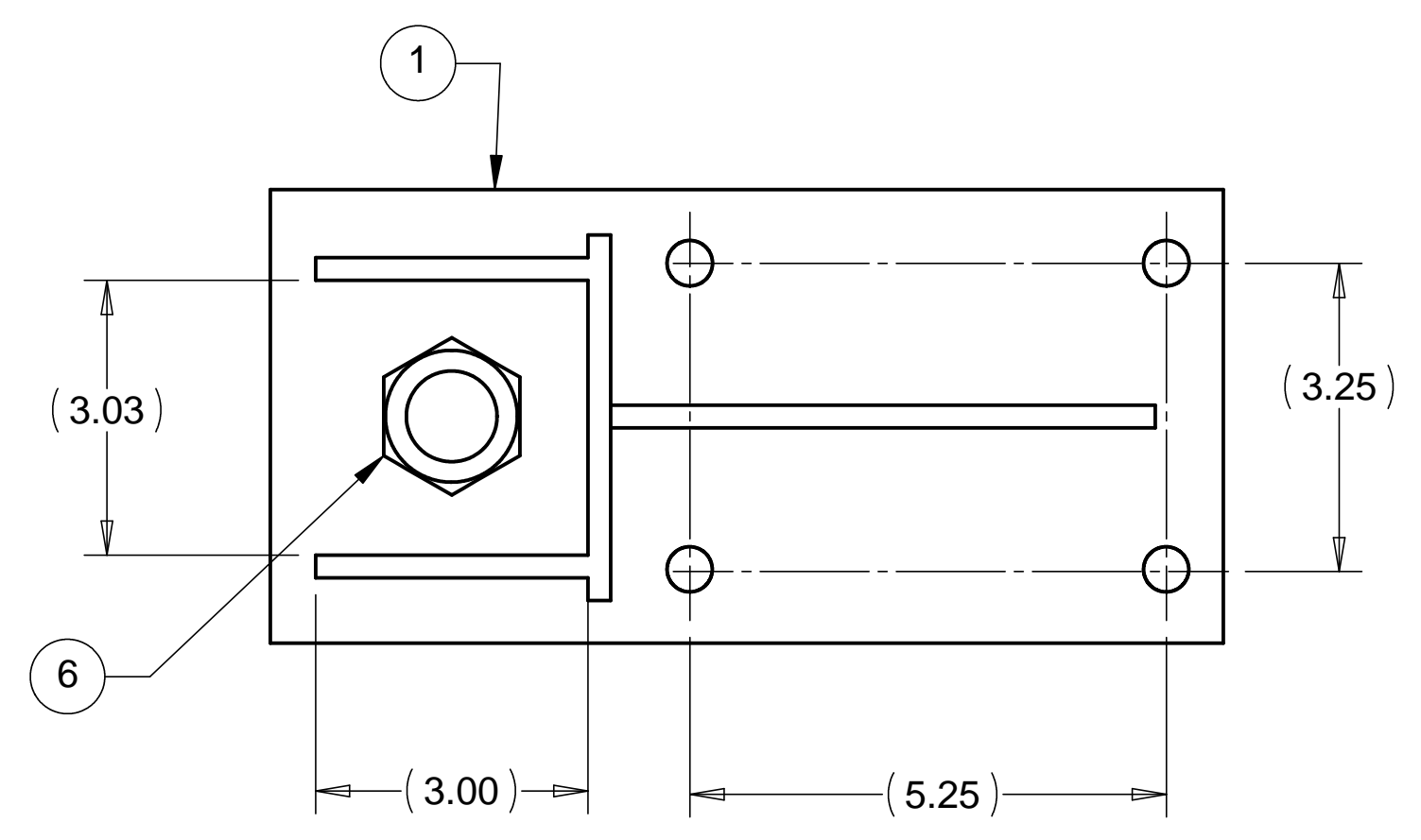


8 7 6 5 4 3 2 1

REVISIONS			
REV.	DESCRIPTION	DATE	APPROVED

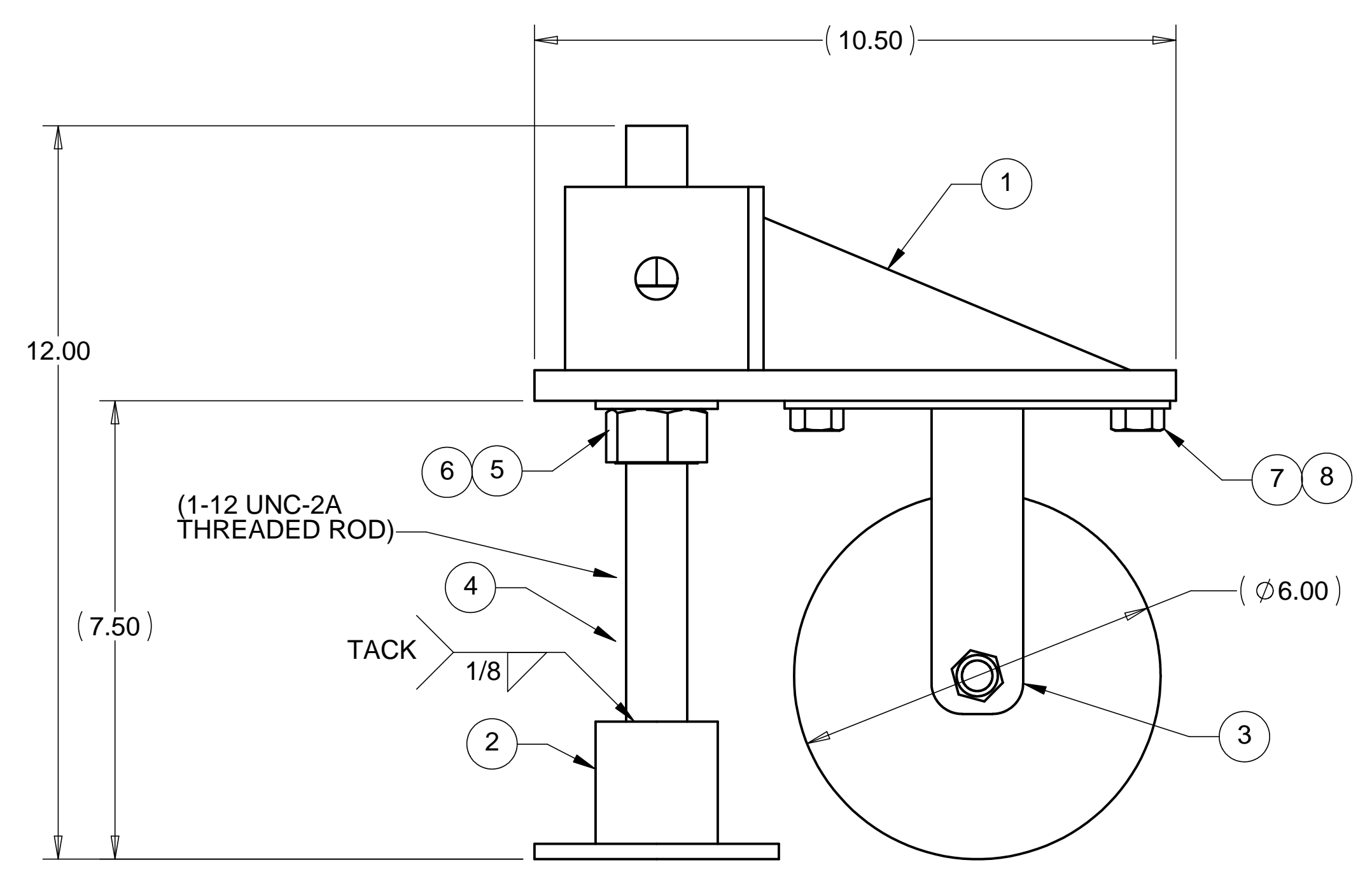
D

D



C

C



B

B

PART NO.	DESCRIPTION	CASTOR (ITEM #3)
D972394-1	SWIVEL CASTOR	H1406-6X2
D972394-2	RIGID CASTOR	H3406-6X2

ITEM NO.	QTY.	PART NO.	DESCRIPTION
1	1	D972440-1	ADJUSTABLE CASTOR FOOT BASEPLATE
2	1	D972441-1	CASTOR FOOT
3	1	H1406-6X2 / H3406-6X2	CASTOR, HEAVY DUTY, 6.0 O.D
4	1	STD HARDWARE	SST THREADED ROD, 1-12 UNC-2A X 12.0 LONG
5	1	STD HARDWARE	WASHER, SST 1" FLAT
6	2	STD HARDWARE	SST HEX NUT, 1-12 UNC-2B
7	4	STD HARDWARE	HEX HEAD SST BOLT, 1/2-13 UNC-2A X .75 LONG
8	4	STD HARDWARE	WASHER, SST 1/2" FLAT

A

A

NOTES: UNLESS OTHERWISE SPECIFIED
 1. ASSEMBLY WEIGHS 20 Lbs.
 2. ASSEMBLY D972390 HAS 2 SWIVEL CASTORS AND 2 FIXED CASTORS.

UNLESS OTHERWISE SPECIFIED: DIMENSIONS ARE IN INCHES -TOLERANCES-		CAD GENERATED DRAWING, DO NOT MANUALLY UPDATE DO NOT SCALE DRAWING		HYTEC, INC TITLE BSC ROLLER SYSTEM CASTOR FOOT ASSEMBLY	
DECIMALS .XX = +/- .06 .XXX = +/- .010	ANGULAR = +/- .30' SURFACE FINISH = 250	DESIGNED W. K. MILLER	DATE 2/5/98		
FINISH		DRAWN W. K. MILLER	2/5/98	DWG. NO. D972394	SIZE D
PART NO. D972394-1		CHECKED HARRY SALAZAR	-	SHEET NO. 1 of 1	REVISION
		ENGR. T. THOMPSON	-	SCALE 1/2	
		APPROVED T. THOMPSON	-		

8 7 6 5 4 3 2 1