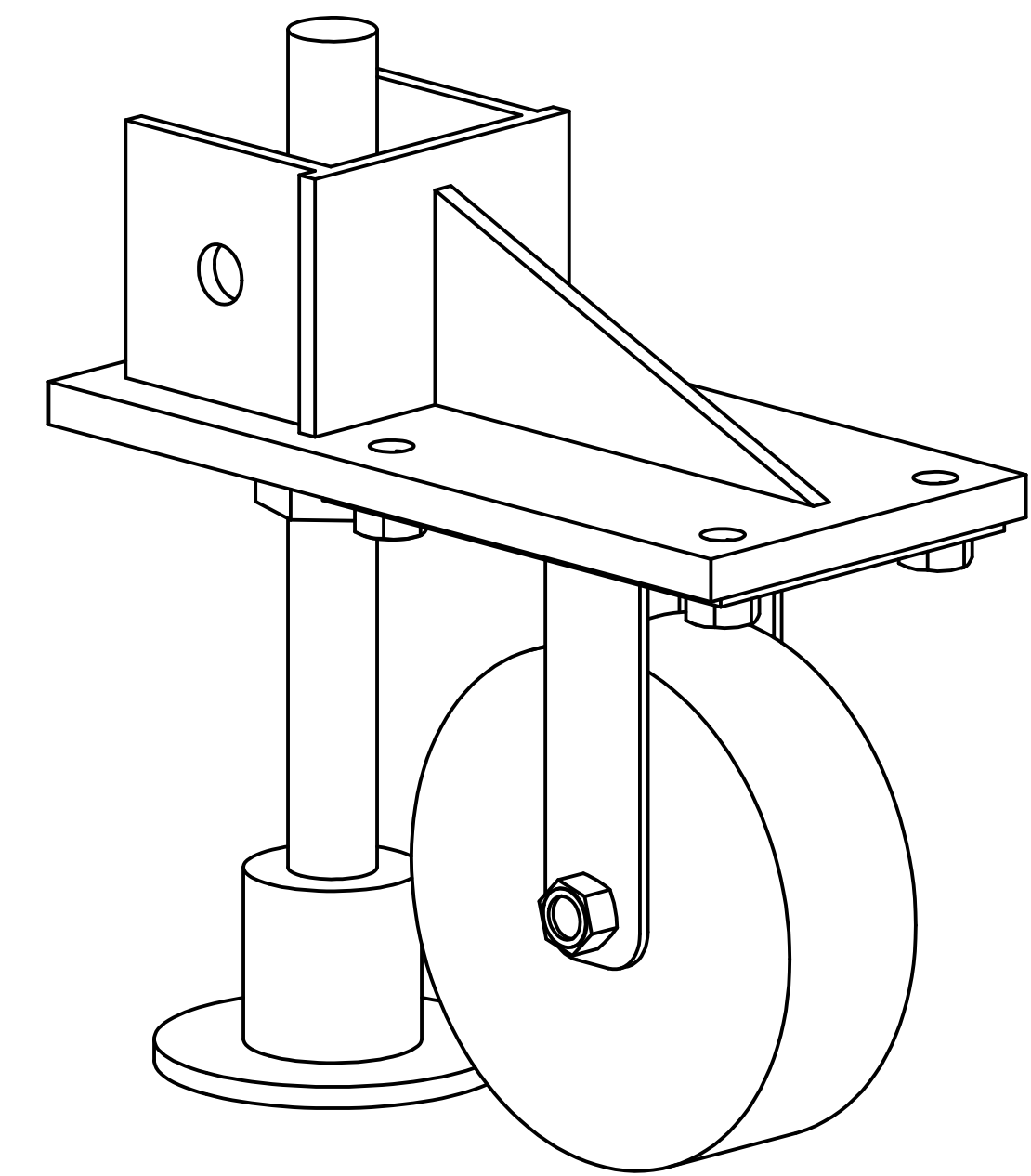
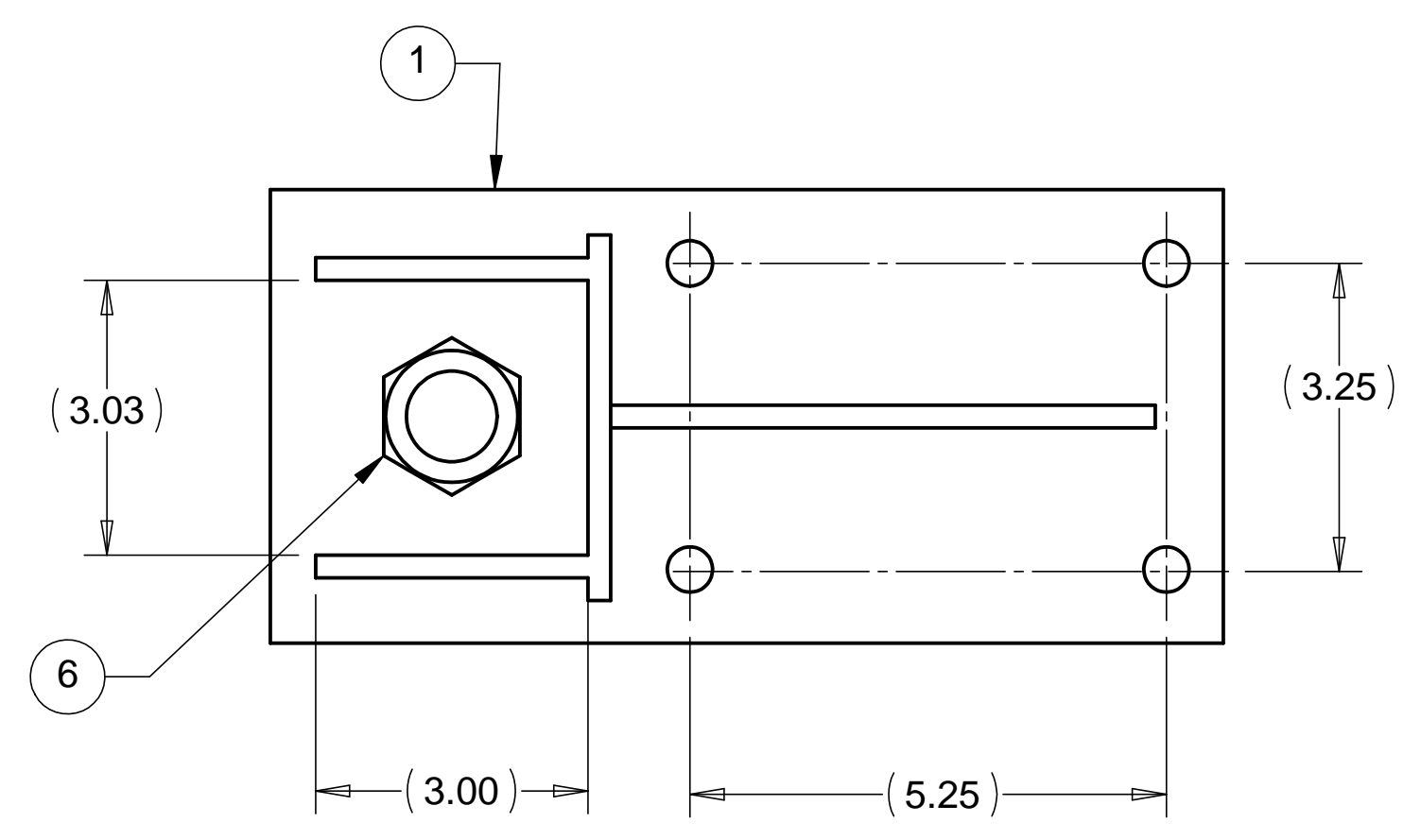


8 7 6 5 4 3 2 1

REVISIONS			
REV.	DESCRIPTION	DATE	APPROVED
A	CHANGED BOM	3-16-98	WKM

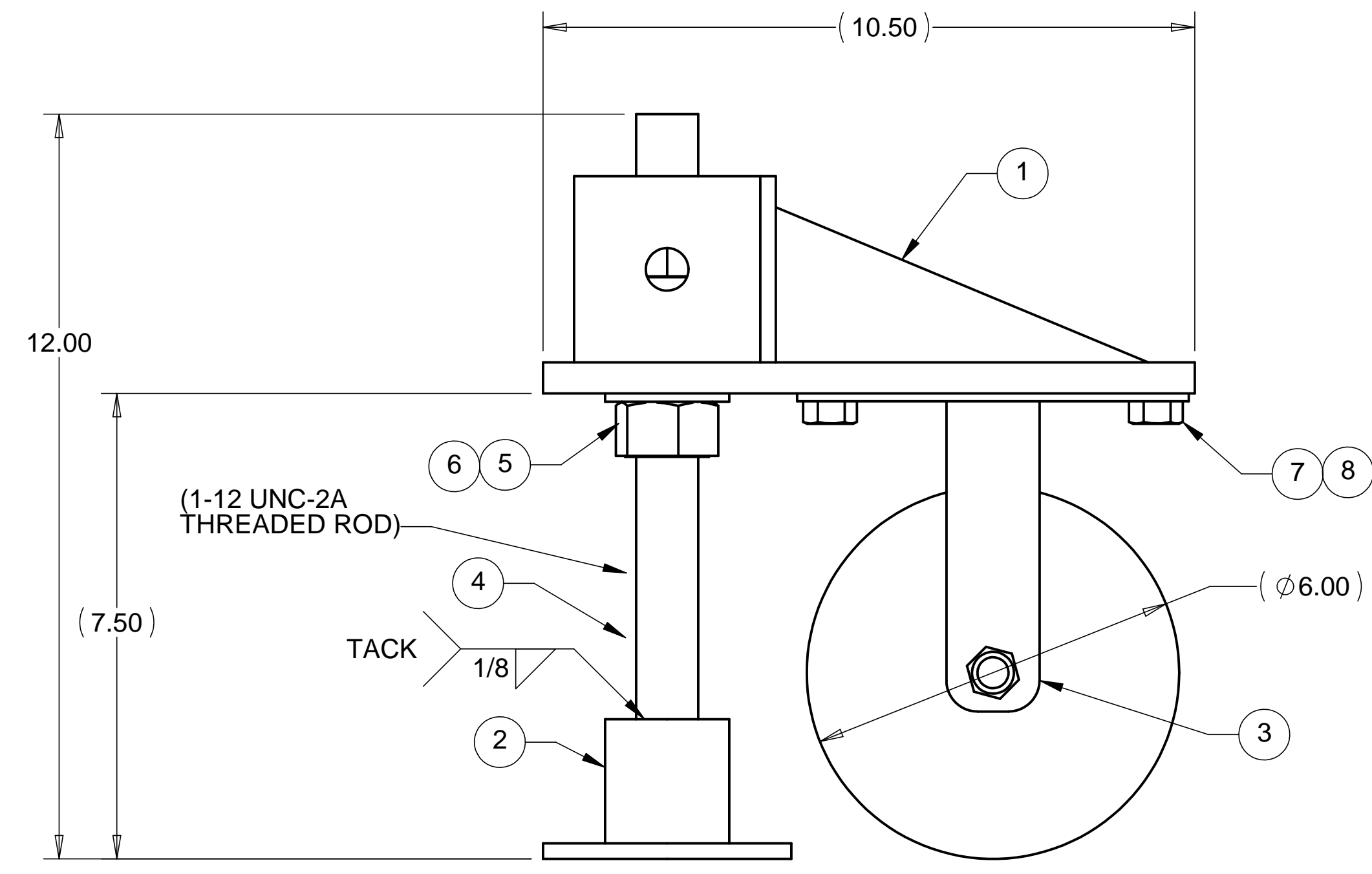
D

D



C

C



- A -1 CASTOR FOOT ASSEMBLY WITH SWIVEL CASTOR
- 2 CASTOR FOOT ASSEMBLY WITH RIGID CASTOR

B

B

ITEM NO.	QTY.	QTY.	PART NO.	DESCRIPTION
1	1	1	D972440-1	ADJUSTABLE CASTOR FOOT BASEPLATE
2	1	1	D972441-1	CASTOR FOOT
3	1		H1406-6X2	SWIVEL CASTOR, HEAVY DUTY, 6.0 O.D - CASTORS OF ALB.
4		1	H3406-6X2	RIGID CASTOR, HEAVY DUTY, 6.0 O.D - CASTORS OF ALBUQUERQUE
5	1	1	STD HARDWARE	SST THREADED ROD, 1-12 UNC-2A X 12.0 LONG
6	1	1	STD HARDWARE	WASHER, SST 1" FLAT
7	2	2	STD HARDWARE	SST HEX NUT, 1-12 UNC-2B
8	4	4	STD HARDWARE	HEX HEAD SST BOLT, 1/2-13 UNC-2A X .75 LONG
9	4	4	STD HARDWARE	WASHER, SST 1/2" FLAT
DASH NO.	-1	-2		

A

A

NOTES: UNLESS OTHERWISE SPECIFIED
1. ASSEMBLY WEIGHS 20 Lbs.

PARTS LIST			
UNLESS OTHERWISE SPECIFIED: DIMENSIONS ARE IN INCHES -TOLERANCES-		CAD GENERATED DRAWING, DO NOT MANUALLY UPDATE DO NOT SCALE DRAWING	
DECIMALS .XX = +/- .06 .XXX = +/- .010		ANGULAR = +/- .30° SURFACE FINISH = 250	
FINISH	DESIGNED	SIGNATURE	DATE
	DRAWN	W. K. MILLER	2/5/98
	CHECKED	HARRY SALAZAR	3-16-98
	ENGR.	T. THOMPSON	3-16-98
	APPROVED	T. THOMPSON	3-16-98
PART NO. D972394-1, -2	TITLE HYTEC, INC BSC ROLLER SYSTEM CASTOR FOOT ASSEMBLY		DWG. NO. D972394
	SCALE	1/2	SHEET NO. 1 of 1
			REVISION A

8 7 6 5 4 3 2 1