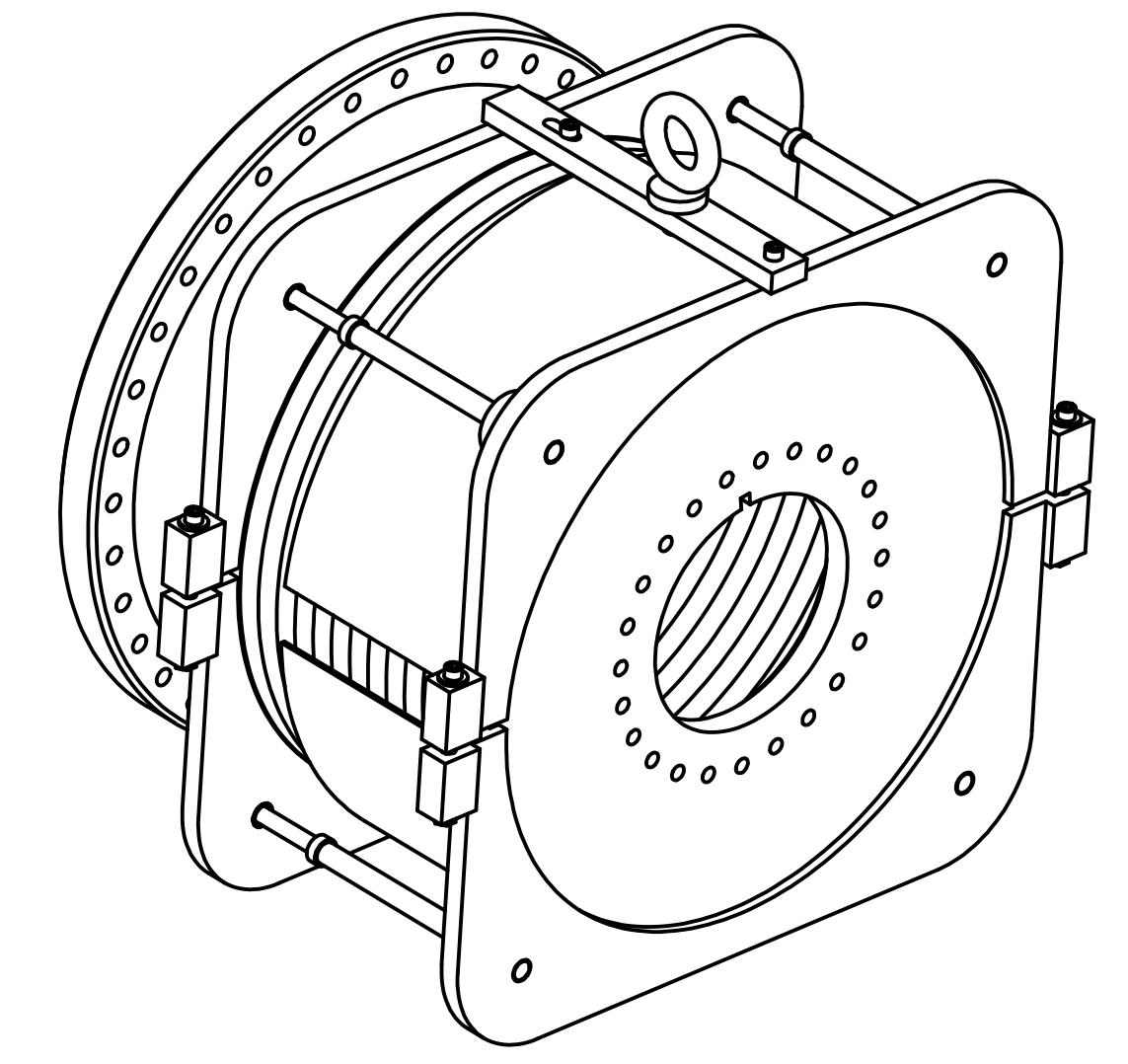
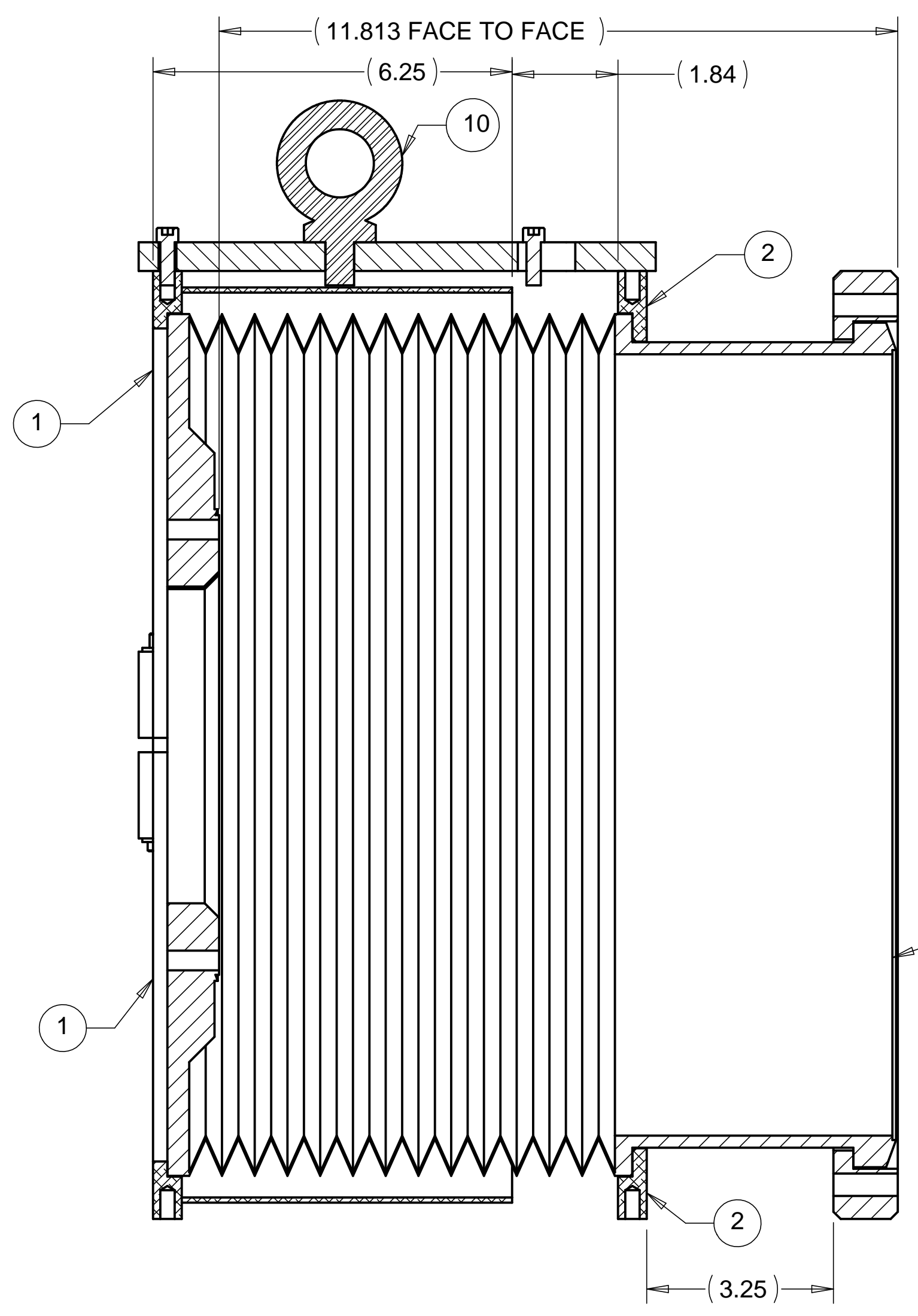
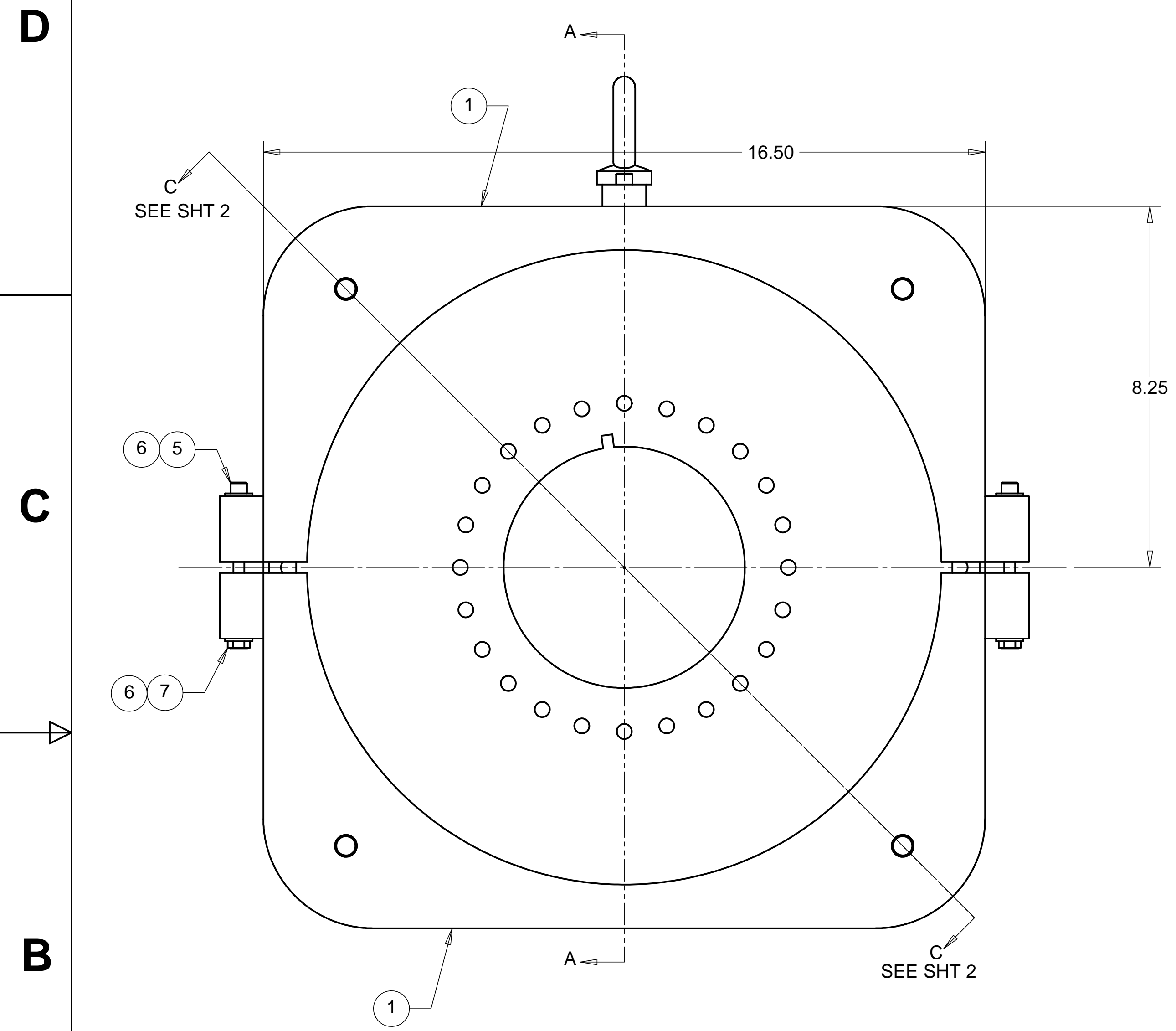


8 7 6 5 4 3 2 1

REVISIONS			
REV.	DESCRIPTION	DATE	APPROVED



SECTION A-A

ITEM NO.	QTY.	PART NO.	DESCRIPTION
1	2	D972458-1	BSC BELLOWS COMPRESSION CLAMP PART #1
2	2	D972459-1	BSC BELLOWS COMPRESSION CLAMP PART #2
3	4	D972461-1	BSC BELLOWS COMPRESSION CLAMP ROD
4	4	D972973-1	BELLOWS COMPRESSION CLAMP CUSTOM HEX NUT
5	4	STD HARDWARE	SOCKET HEAD CAPSCREW, 1/4-20 UNC X 3.50 LONG
6	4	STD HARDWARE	1/4 FLAT WASHER
7	4	STD HARDWARE	1/4 HEX NUT
8	1	D972460-1	BSC BELLOWS COMPRESSION CLAMP HOISTING BAR
9	2	STD HARDWARE	SOCKET HEAD CAPSCREW, 1/4-20 UNC X .75 LONG
10	1	STD HARDWARE	EYEBOLT, 1/2-13 UNC-2A X .75 LONG

PARTS LIST

NOTES: UNLESS OTHERWISE SPECIFIED
 1. BELLOWS SHOWN IN AN UNCOMPRESSED STATE.

UNLESS OTHERWISE SPECIFIED: DIMENSIONS ARE IN INCHES -TOLERANCES- DECIMALS ANGULAR = +/- .30° .XX = +/- .03 SURFACE FINISH = 250 .XXX = +/- .010	CAD GENERATED DRAWING, DO NOT MANUALLY UPDATE DO NOT SCALE DRAWING		HYTEC, INC	
	FINISH		TITLE BSC BELLOWS COMPRESSION CLAMP ASSEMBLY	DWG. NO. D972396
PART NO. D972396-1	DESIGNED ROGER L. SMITH	DATE 5-11-98	CHECKED HARRY SALAZAR	SCALE 1/2
	DRAWN ROGER L. SMITH	5-11-98	ENGR. T. THOMPSON	REVISION
	APPROVED T. THOMPSON			

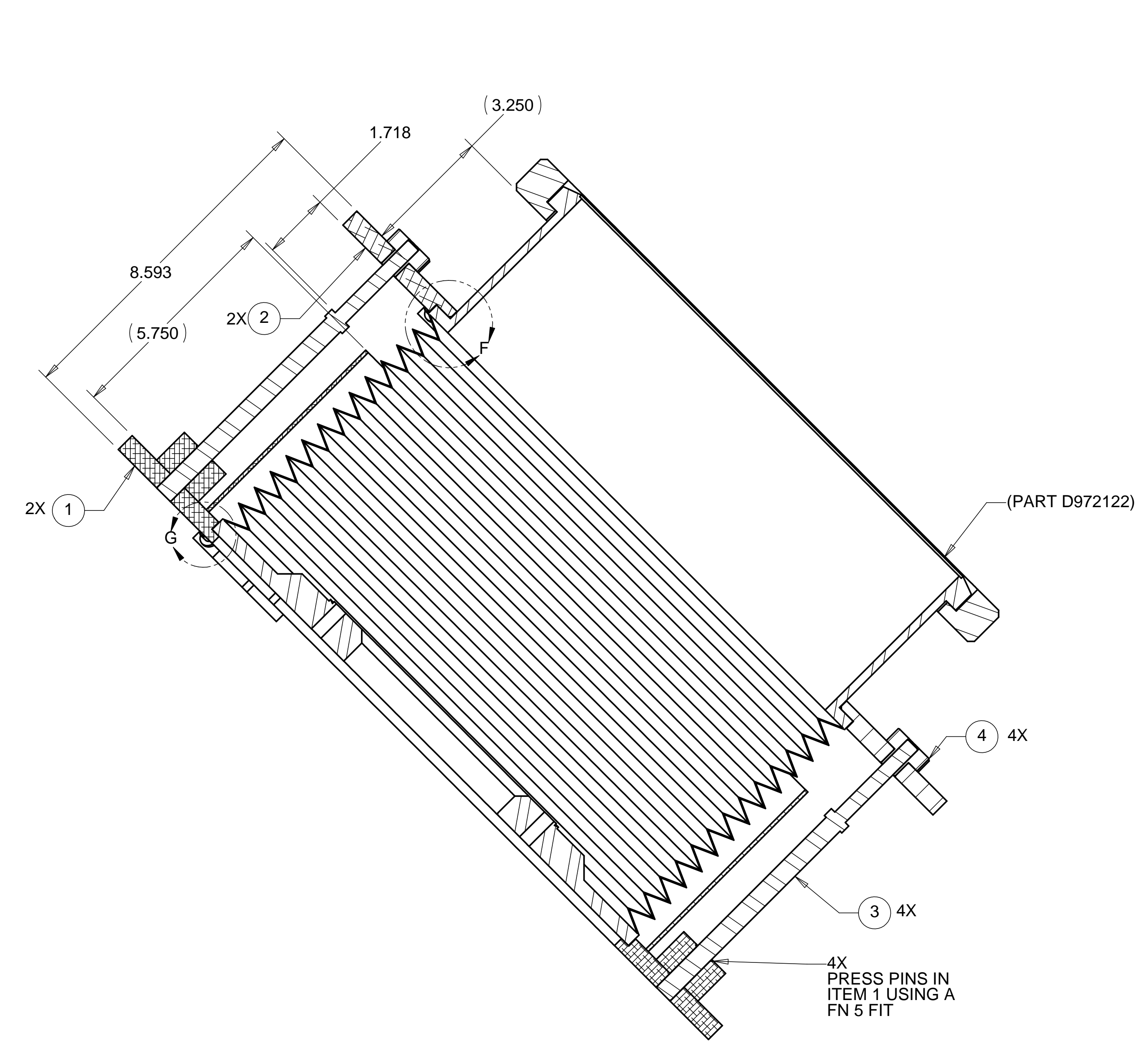
8 7 6 5 4 3 2 1

8 7 6 5 4 3 2 1

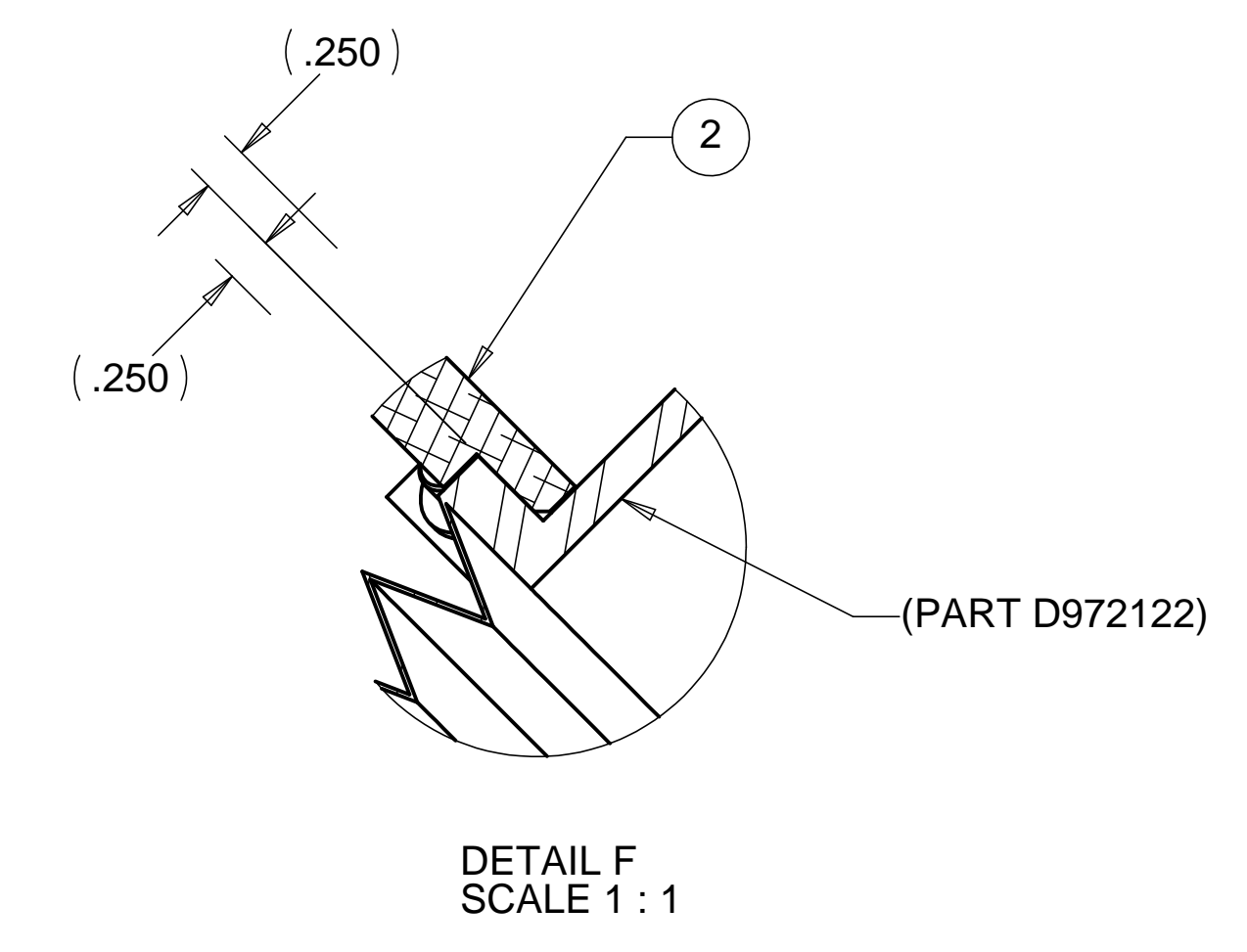
REVISIONS			
REV.	DESCRIPTION	DATE	APPROVED

D
C
B
A

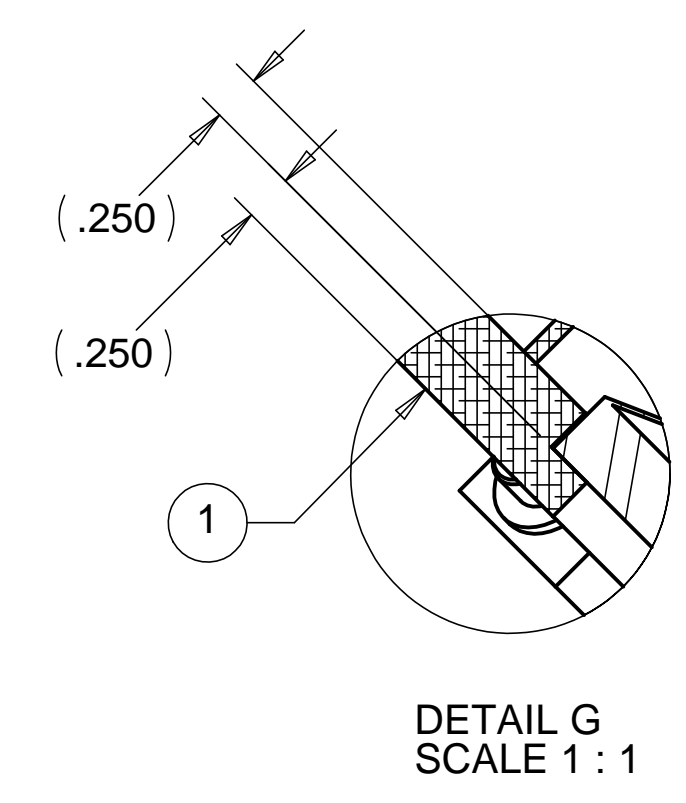
D
C
B
A



SECTION B-B
SCALE 1 : 2



DETAIL F
SCALE 1 : 1



DETAIL G
SCALE 1 : 1

PARTS LIST			
UNLESS OTHERWISE SPECIFIED: DIMENSIONS ARE IN INCHES -TOLERANCES- DECIMALS ANGULAR = +/- .30' .XX = +/- .03 SURFACE FINISH = 250 .XXX = +/- .010	CAD GENERATED DRAWING, DO NOT MANUALLY UPDATE DO NOT SCALE DRAWING		HYTEC, INC TITLE BSC BELLOWS COMPRESSION CLAMP ASSEMBLY
	FINISH	SIGNATURE	
PART NO. D972396-1	DESIGNED	ROGER L. SMITH	5-11-98
	DRAWN	ROGER L. SMITH	5-11-98
	CHECKED	HARRY SALAZAR	-
	ENGR.	T. THOMPSON	-
	APPROVED	T. THOMPSON	-
	SCALE	1/2	REVISION
	DWG. NO.	D972396	SIZE SHEET NO. D 1 of 1

8 7 6 5 4 3 2 1