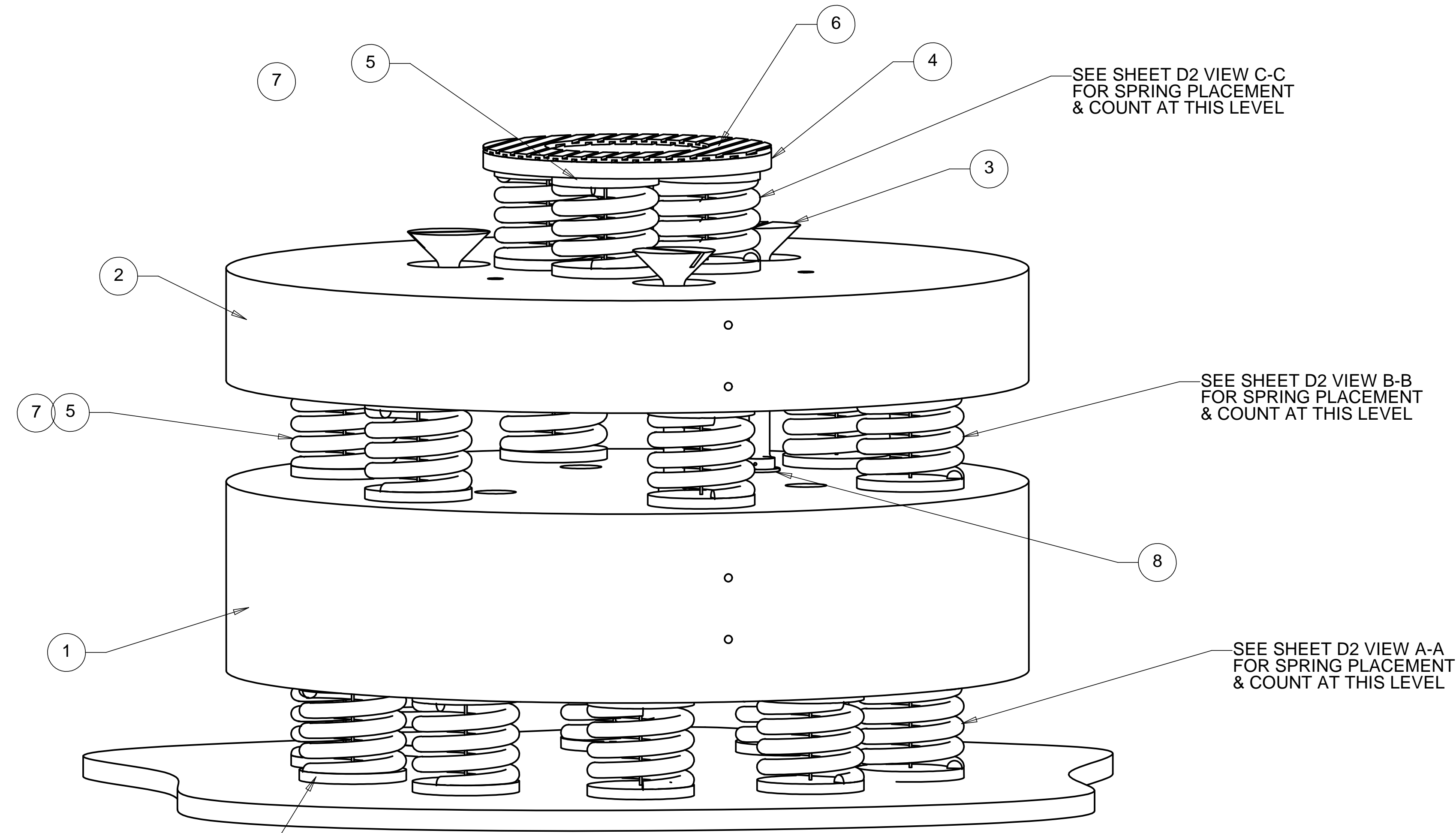


8 7 6 5 4 3 2 1

REVISIONS			
REV.	DESCRIPTION	DATE	APPROVED
A	SEE ECN# D972701-A FOR CHANGE LIST	04-29-98	T. THOMPSON

D

D



C

C

B

B

A

A

ASSEMBLE ON SUPPORT TABLE

WEIGHT: 647.3 lbs.

ITEM NO.	QTY.	PART NO.	DESCRIPTION
1	1	D972712-1	LEG ELEMENT #1
2	1	D972713-1	LEG ELEMENT #2
3	3	D972715-1	LEG SCREW #1
4	1	D972216-1	SHIM
5	20	D972218-1	COIL SPRING
6	1	D972714-1	VITON SHIM
7	38	D972219-1	COIL SPRING SEAT
8	3	WFV-38	VENTED WASHER, U-C COMPONENTS, INC.

PARTS LIST			
UNLESS OTHERWISE SPECIFIED: DIMENSIONS ARE IN INCHES -TOLERANCES-		CAD GENERATED DRAWING, DO NOT MANUALLY UPDATE DO NOT SCALE DRAWING	
DECIMALS .XX = +/- .03 .XXX = +/- .010		ANGULAR = +/- .30° SURFACE FINISH = 250	
FINISH	SIGNATURE	DATE	HYTEC, INC TITLE LIGO HAM ISOLATION STACK LEG ASSEMBLY DWG. NO. D972701 SIZE D SHEET NO. 1 of 2 SCALE 1/2 REVISION A
DESIGNED	ROGER L. SMITH	5-28-97	
DRAWN	ROGER L. SMITH	5-28-97	
CHECKED	HARRY SALAZAR	8-8-97	
ENGR.	T. THOMPSON	8-11-97	
PART NO. D972701-1	APPROVED	T. THOMPSON	8-11-97

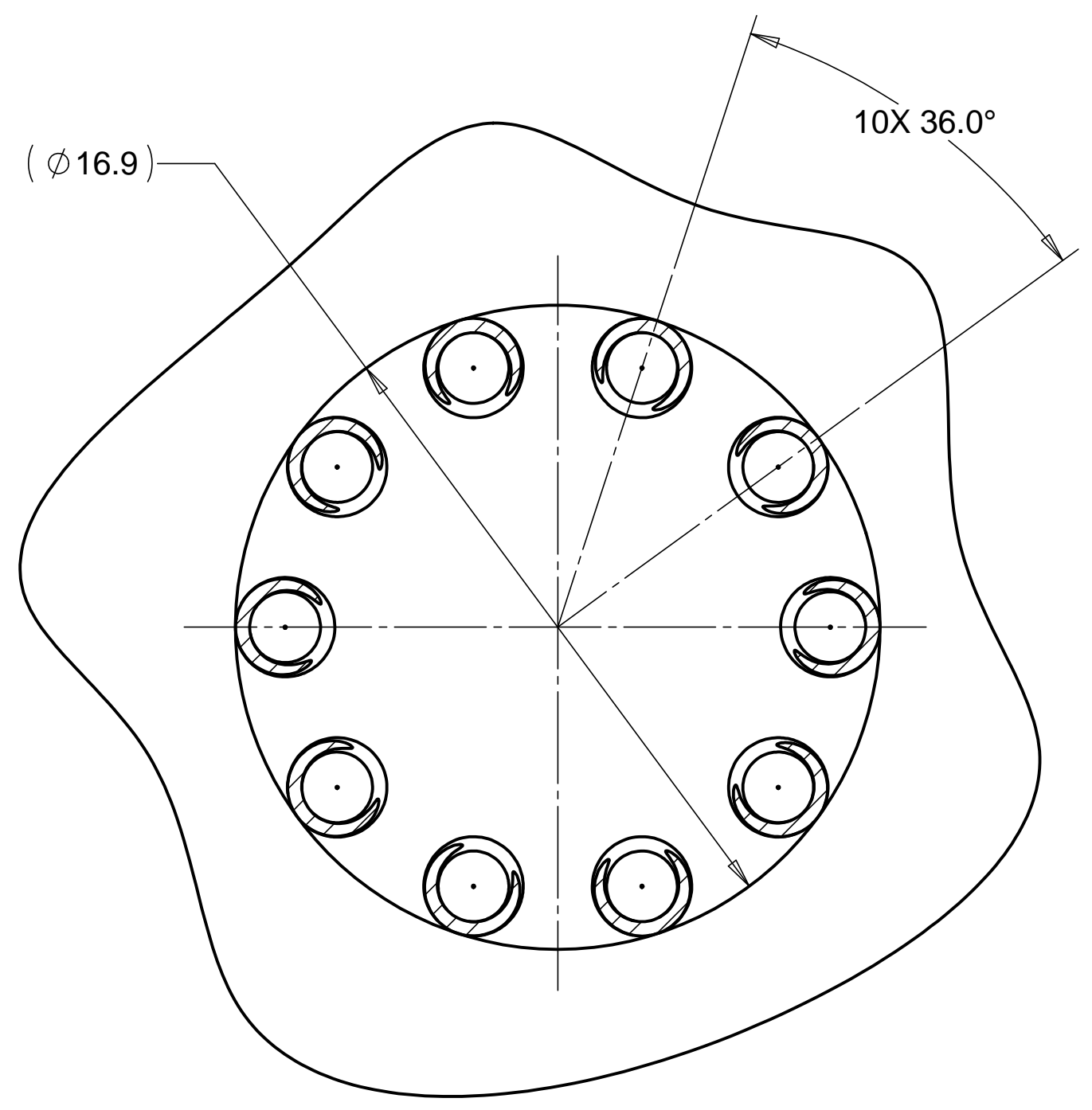
8 7 6 5 4 3 2 1

8 7 6 5 4 3 2 1

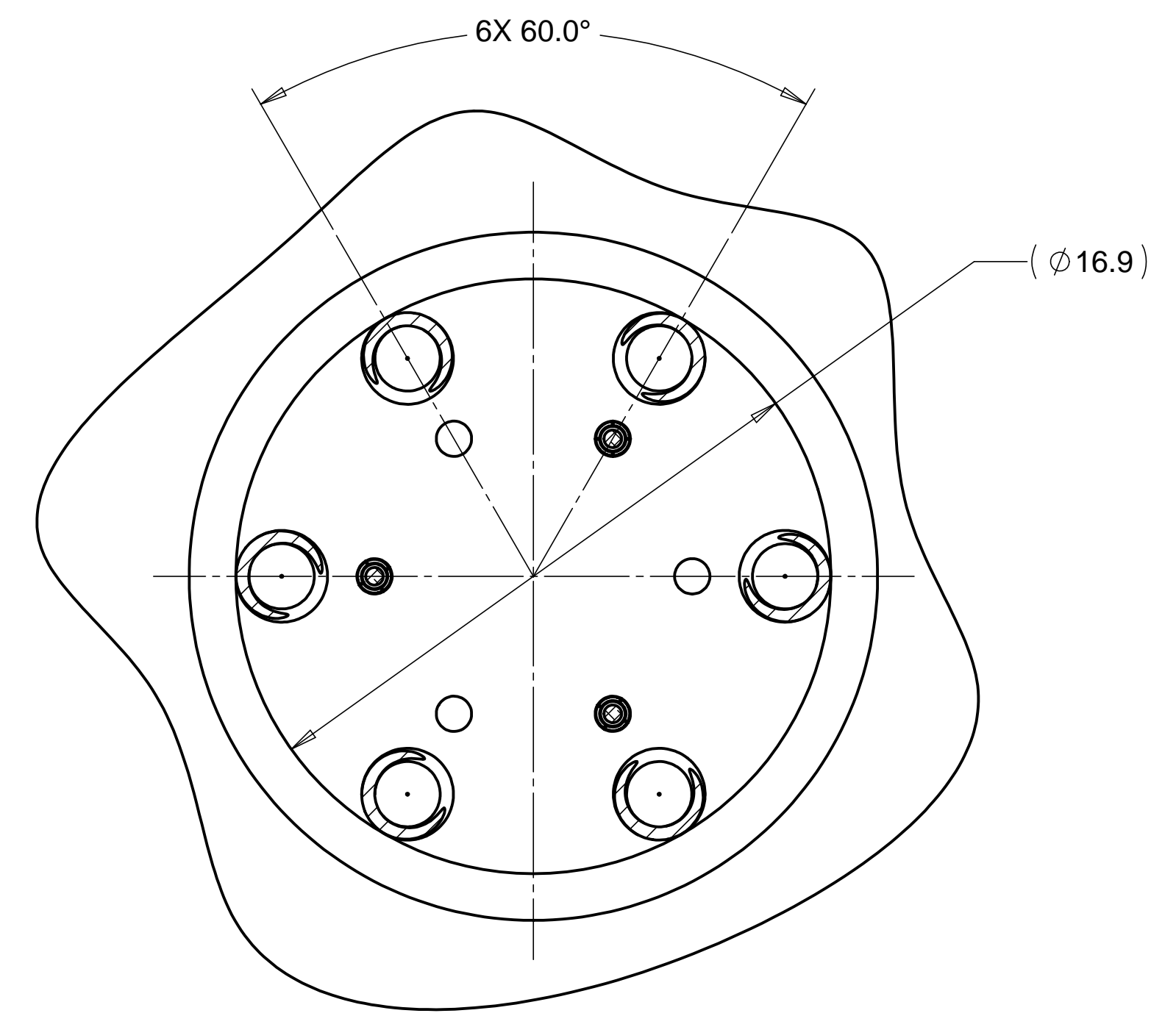
REVISIONS			
REV.	DESCRIPTION	DATE	APPROVED
A	SEE ECN# D972701-A FOR CHANGE LIST	04-29-98	T. THOMPSON

D

D



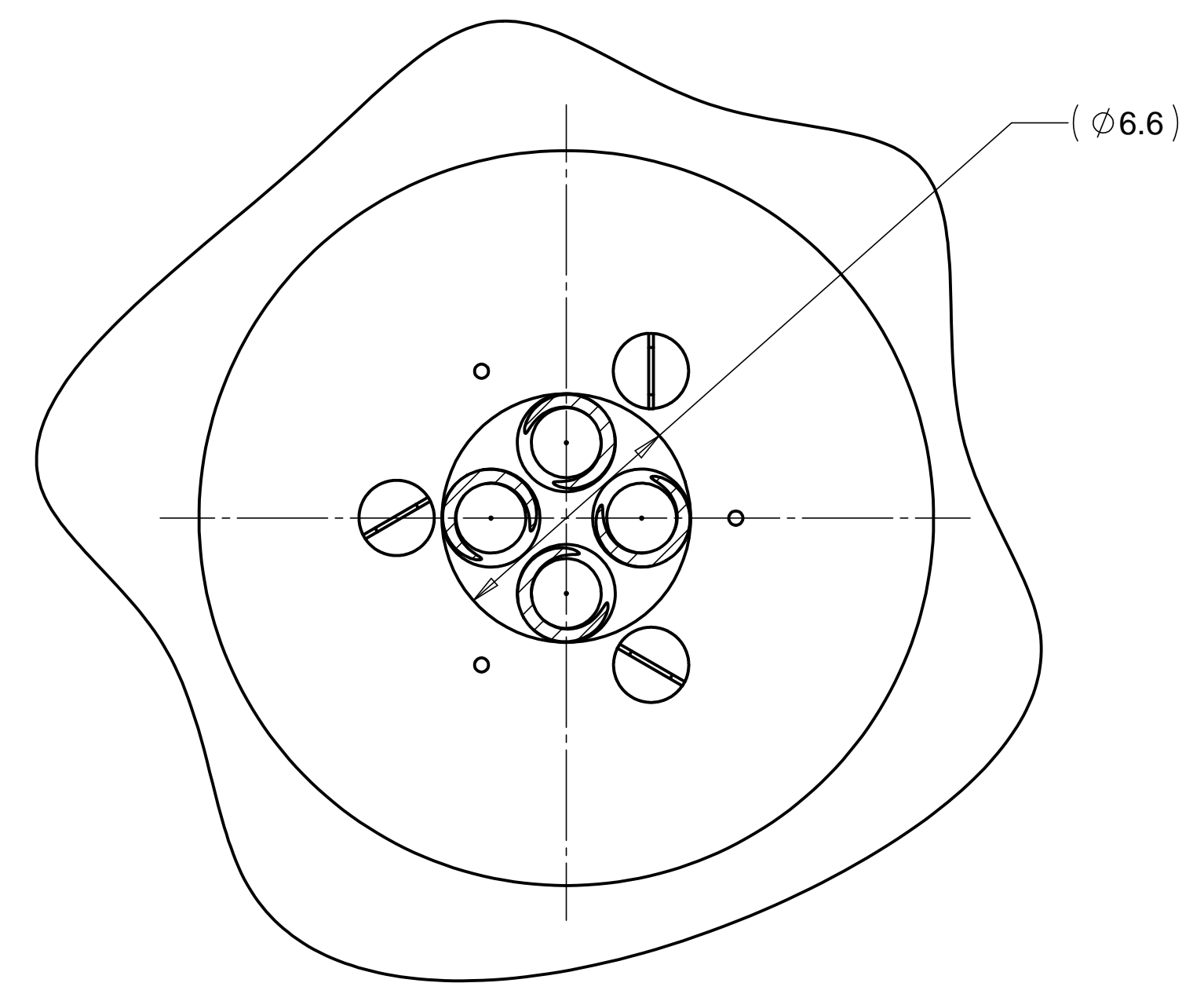
VIEW A-A



VIEW B-B

C

C



VIEW C-C

B

B

A

A

PARTS LIST			
UNLESS OTHERWISE SPECIFIED: DIMENSIONS ARE IN INCHES -TOLERANCES-		CAD GENERATED DRAWING, DO NOT MANUALLY UPDATE DO NOT SCALE DRAWING	
DECIMALS	ANGULAR = +/- 30'	<i>HYTEC, INC</i> TITLE LIGO HAM ISOLATION STACK LEG ASSEMBLY	
.X = +/- .1	SURFACE FINISH = 250		
.XX = +/- .03		FINISH	DESIGNED
.XXX = +/- .010			ROGER L. SMITH
			DATE
			10-22-97
		DRAWN	ROGER L. SMITH
			DATE
			04-29-98
		CHECKED	T. THOMPSON
			DATE
			05-04-98
		ENGR.	T. THOMPSON
			DATE
			05-04-98
		APPROVED	T. THOMPSON
			DATE
			05-04-98
PART NO.		DWG. NO.	SIZE
D972701-1		D972701	D
		SHEET NO.	2 of 2
		SCALE	1/4
		REVISION	A

8 7 6 5 4 3 2 1