

8 7 6 5 4 3 2 1

REVISIONS			
REV.	DESCRIPTION	DATE	APPROVED

D

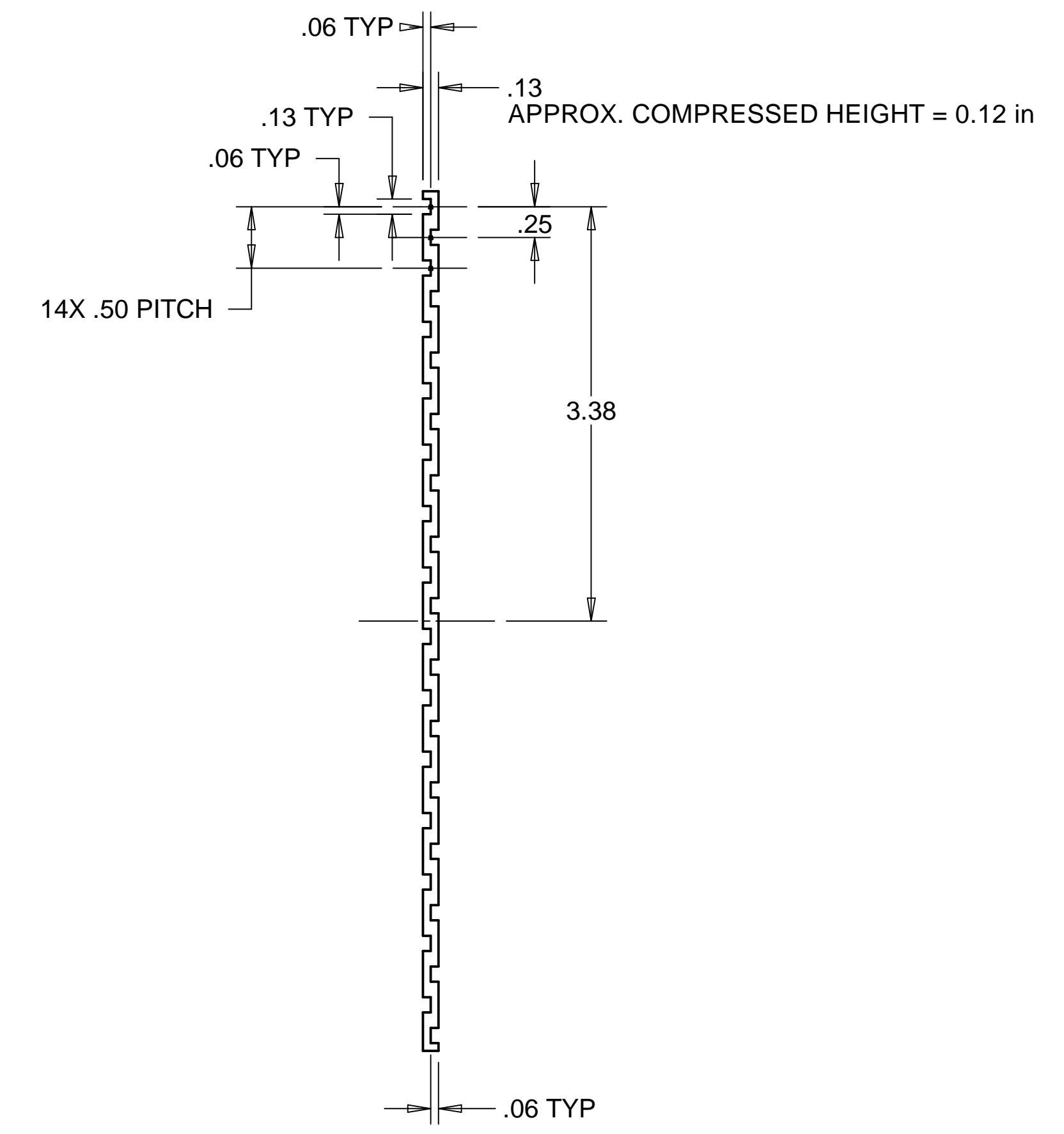
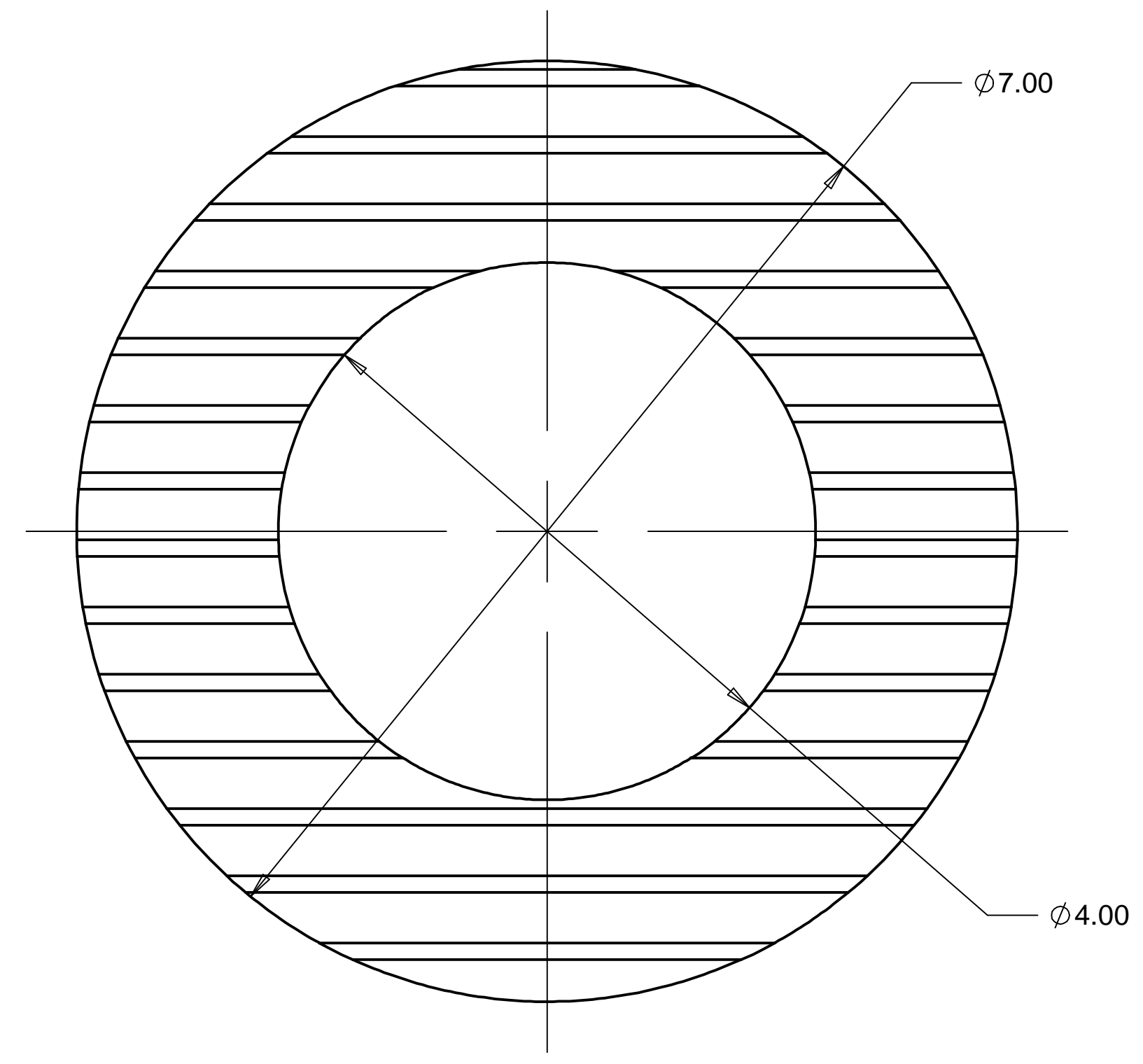
D

C

C

B

B



MATL: FLUOREL FORMULATION 2180

NOTES: UNLESS OTHERWISE SPECIFIED

1. ALL DIMENSIONS IN INCHES
2. DIMENSIONS AND TOLERANCING PER ASME Y14.5M-1994
3. SURFACE TEXTURE PER ANSI/ASME B 46.1-1985
4. REMOVE ALL BURRS AND BREAK SHARP EDGES TO A MAXIMUM OF .015
5. ALL INSIDE CORNERS TO BE .015 RADIUS MAX
6. COUNTERSINK 82 DEGREES ALL TAPPED HOLES TO MAJOR DIAMETER
7. COUNTERSINK 82 DEGREES APPROXIMATELY .015 DEEP ALL DRILLED HOLES
8. PARTS TO BE THOROUGHLY CLEANED TO REMOVE ALL OIL, GREASE, DIRT AND CHIPS
9. ALL FABRICATION, CLEANING, AND HANDLING MAINTAINED TO HYTEC SPECIFICATION: LIGO-TS-03 CATEGORY 1.
10. NO SULFUR BASED CUTTING FLUIDS ALLOWED.

A

A

PARTS LIST			
UNLESS OTHERWISE SPECIFIED: DIMENSIONS ARE IN INCHES -TOLERANCES- DECIMALS .XX = +/- .03 .XXX = +/- .010 ANGULAR = +/- 30' SURFACE FINISH = 250	CAD GENERATED DRAWING, DO NOT MANUALLY UPDATE DO NOT SCALE DRAWING		HYTEC, INC TITLE LIGO ISOLATION STACK FLUOREL SHIM
	FINISH	SIGNATURE	
PART NO. D972714-1	DESIGNED	ROGER L. SMITH	5-28-97
	DRAWN	ROGER L. SMITH	5-28-97
	CHECKED	HARRY SALAZAR	7-14-97
	ENGR.	T. THOMPSON	7-14-97
	APPROVED	T. THOMPSON	7-14-97
DWG. NO. D972714		SIZE D	SHEET NO. 1 of 1
SCALE 1/1		REVISION	

8 7 6 5 4 3 2 1