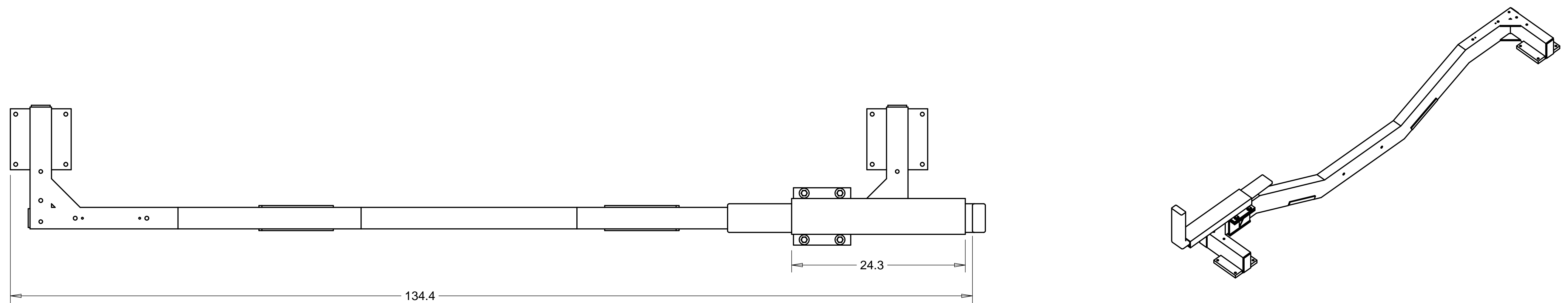


8 7 6 5 4 3 2 1

REVISIONS			
REV.	DESCRIPTION	DATE	APPROVED

D

D

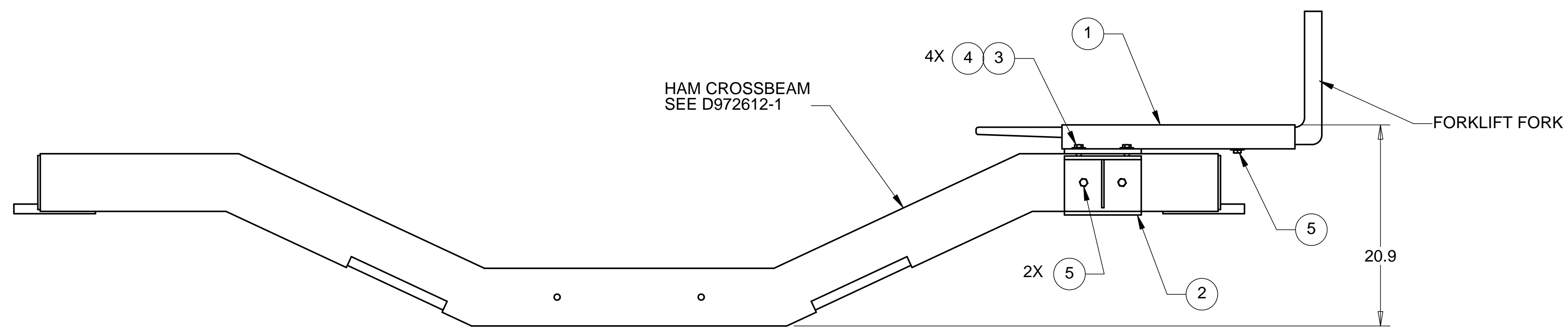


C

C

B

B



A

A

NOTES: UNLESS OTHERWISE SPECIFIED
 1. FORKLIFT CLAMP ASSEMBLY WEIGHS 50.7 Lbs.
 2. HAM CROSSBEAM PART D972612-1 WEIGHS 321.2 Lbs.

ITEM NO.	QTY.	PART NO.	DESCRIPTION
1	1	D972919-1	HAM CROSSBEAM CLAMP FORKLIFT FORK SLEEVE
2	1	D972920-1	HAM CROSSBEAM CLAMP BOTTOM BRACKET
3	4	STD HARDWARE	HEX HEAD SST BOLT, 1/2-13 UNC-2A X 1.50 LONG
4	4	STD HARDWARE	WASHER, SST 1/2" FLAT WIDE
5	3	STD HARDWARE	HEX HEAD SST BOLT, 1/2-13 UNC-2A X 1.0 LONG

PARTS LIST			
UNLESS OTHERWISE SPECIFIED: DIMENSIONS ARE IN INCHES -TOLERANCES-		CAD GENERATED DRAWING, DO NOT MANUALLY UPDATE DO NOT SCALE DRAWING	
DECIMALS .XX = +/- .03 .XXX = +/- .010	ANGULAR = +/- .30° SURFACE FINISH = 250	HYTEC, INC TITLE HAM CROSSBEAM LIFTING CLAMP ASSEMBLY DWG. NO. D972878 SIZE D SHEET NO. 1 of 1 SCALE 1/5 REVISION	
FINISH			
DESIGNED	W. K. MILLER 12/12/97		
DRAWN	W. K. MILLER 12/12/97		
CHECKED	HARRY SALAZAR 2/2/98		
PART NO. D972878-1	ENGR. T. THOMPSON 2/2/98	APPROVED T. THOMPSON 2/2/98	

8 7 6 5 4 3 2 1