

8 7 6 5 4 3 2 1

REVISIONS			
REV.	DESCRIPTION	DATE	APPROVED
A	ADDED POSITIVE LOCKING PIN	3-18-98	WKM

D

D

C

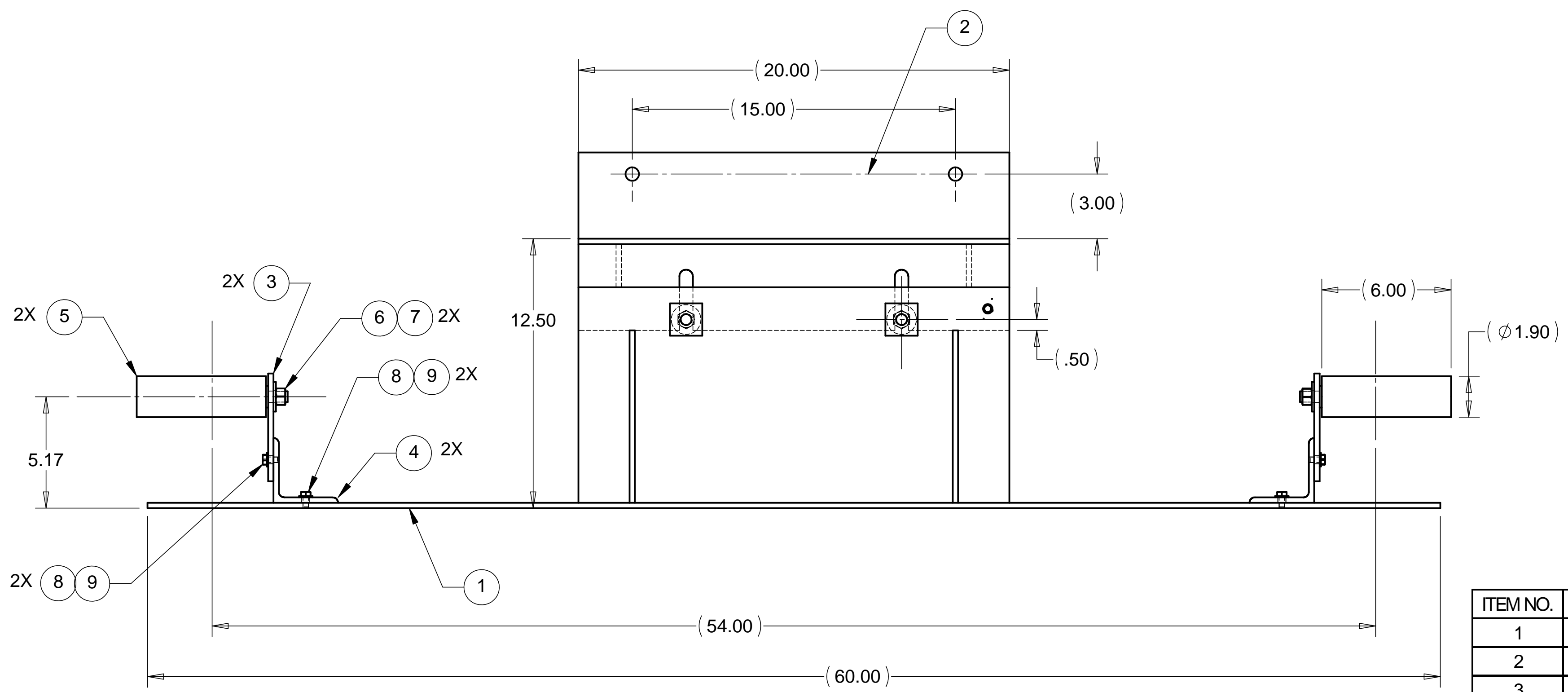
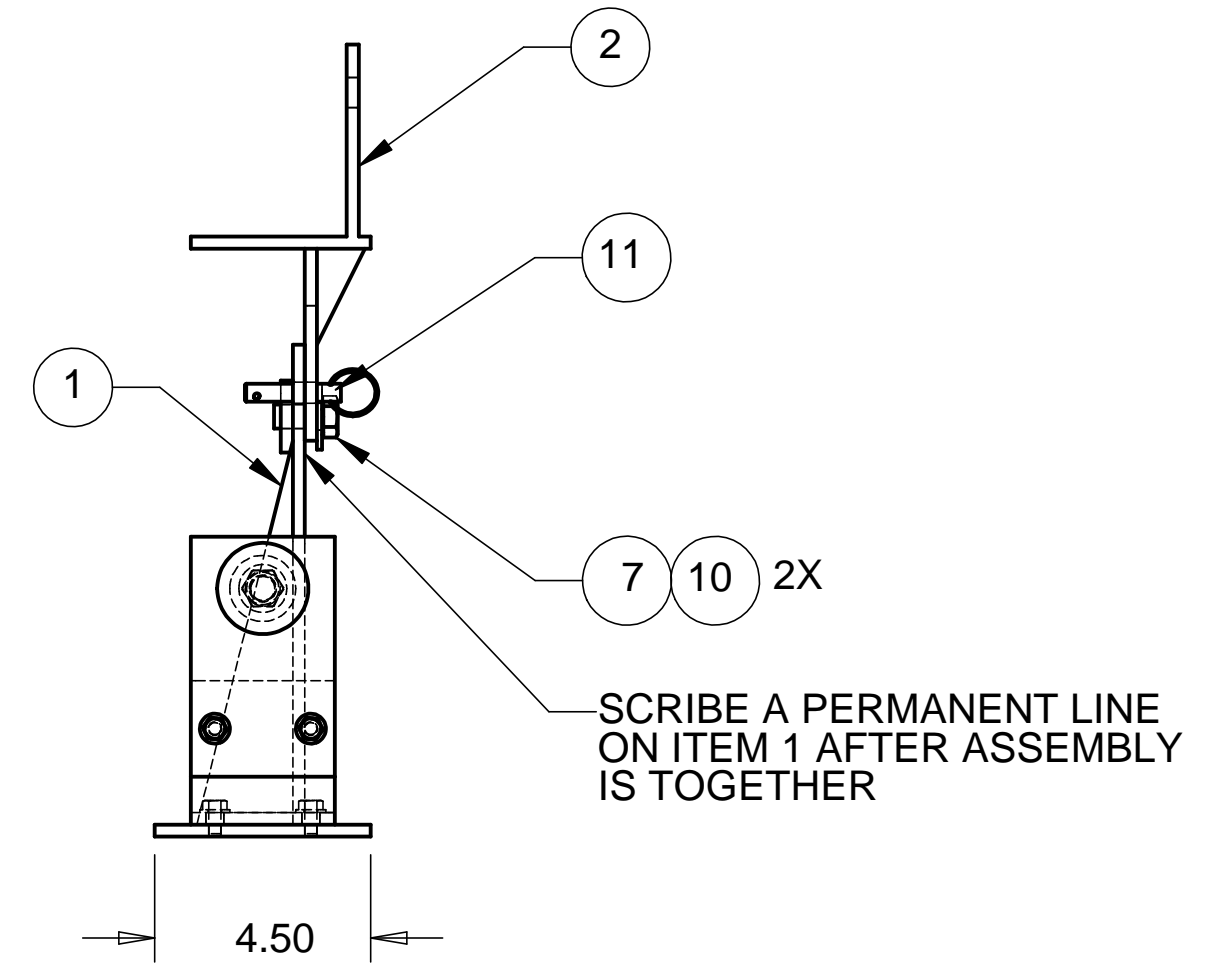
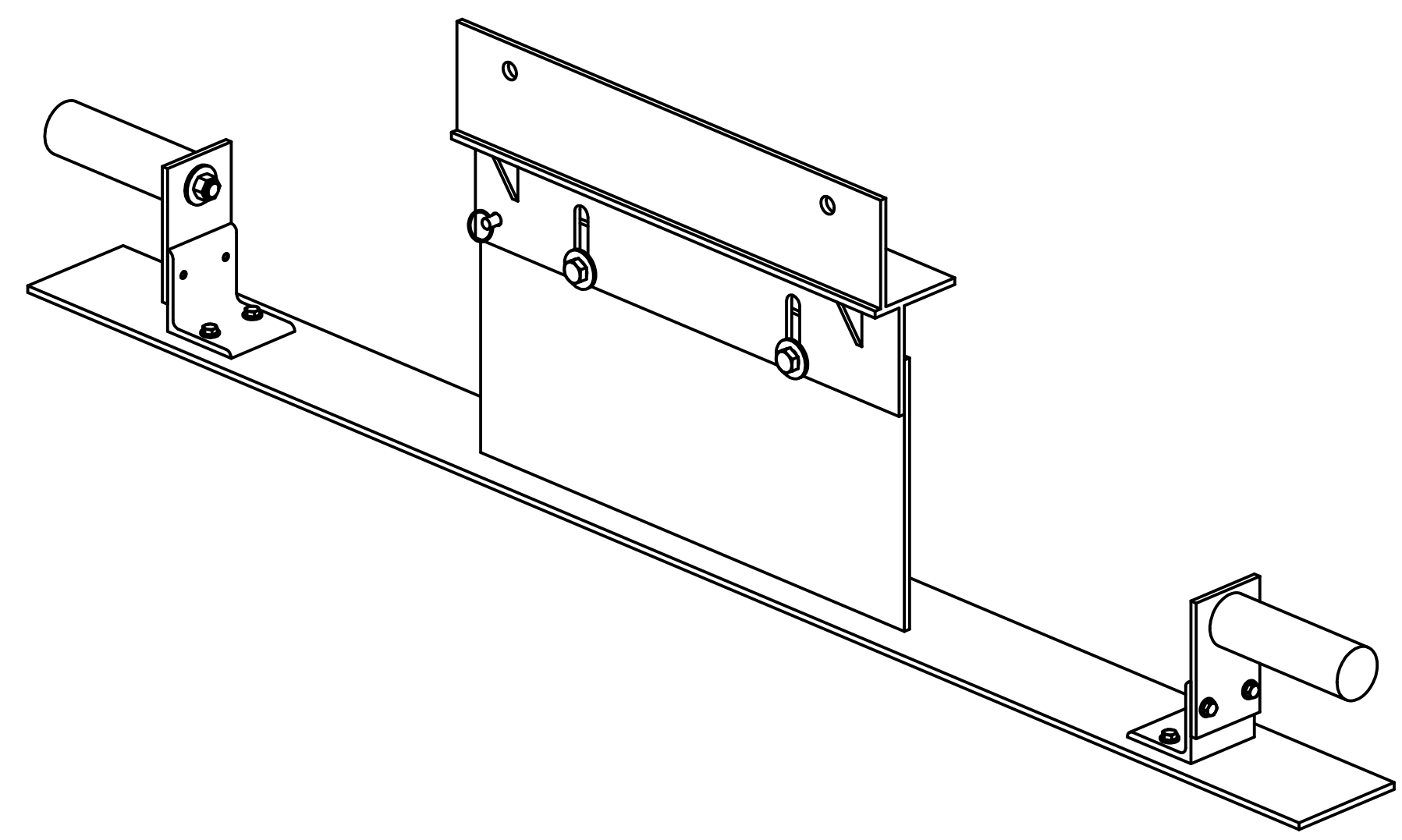
C

B

B

A

A



ITEM NO.	QTY.	PART NO.	DESCRIPTION
1	1	D972921-1	HAM CROSSBEAM SPACER BASE WELDMENT
2	1	D972922-1	HAM CROSSBEAM SPACER SUPPORT
3	2	D972923-1	HAM CROSSBEAM SPACER BRACKET #1
4	2	D972924-1	HAM CROSSBEAM SPACER BRACKET #2
5	2	1.340-A49-S53	CANTILEVER ROLLER, 1.9 O.D. X 5.0, INTERROLL CORP.
6	2	STD HARDWARE	SST HEX NUT, 1/2-13 UNC-2B
7	4	STD HARDWARE	WASHER, SST 1/2 FLAT
8	8	STD HARDWARE	HEX HEAD SST SCREW, 1/4-20 UNC-2A X .50 LONG
9	8	STD HARDWARE	WASHER, SST 1/4 FLAT
10	2	STD HARDWARE	HEX HEAD SST BOLT, 1/2-13 UNC-2A X .75 LONG
11	1	McMASTER 923821A072	POSITIVE LOCKING PIN, 3/8 O.D. X 1.0 LONG

A
A
A

NOTES: UNLESS OTHERWISE SPECIFIED
1. ASSEMBLY WEIGHS 34.5 Lbs.

PARTS LIST			
UNLESS OTHERWISE SPECIFIED: DIMENSIONS ARE IN INCHES -TOLERANCES-		CAD GENERATED DRAWING, DO NOT MANUALLY UPDATE DO NOT SCALE DRAWING	
DECIMALS .XX = +/- .03 .XXX = +/- .010		ANGULAR = +/- 30' SURFACE FINISH = 250	
FINISH	DESIGNED	SIGNATURE	DATE
	DRAWN	W. K. MILLER	12/12/97
	CHECKED	HARRY SALAZAR	2/2/98
	ENGR.	T. THOMPSON	2/2/98
	APPROVED	T. THOMPSON	2/2/98
PART NO. D972879-1	TITLE HYTEC, INC HAM CROSSBEAM PIPING PLATFORM SPACER ASSEMBLY		DWG. NO. D972879
	SCALE	SIZE	SHEET NO.
	1/5	D	1 of 1
		REVISION	A

8 7 6 5 4 3 2 1