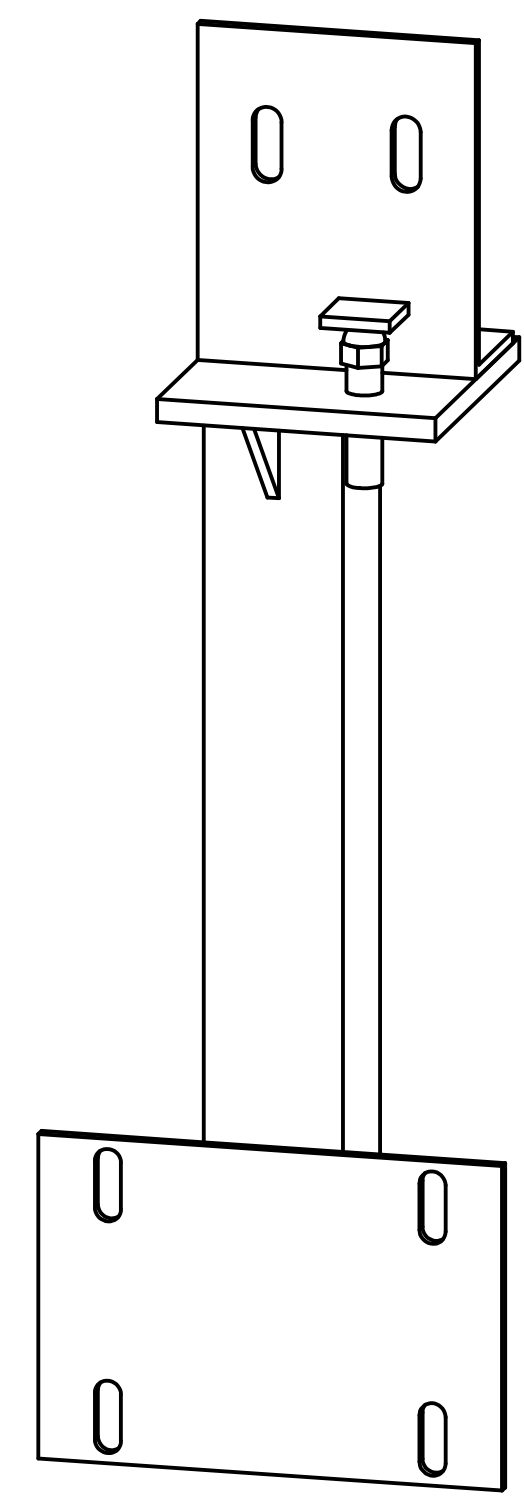
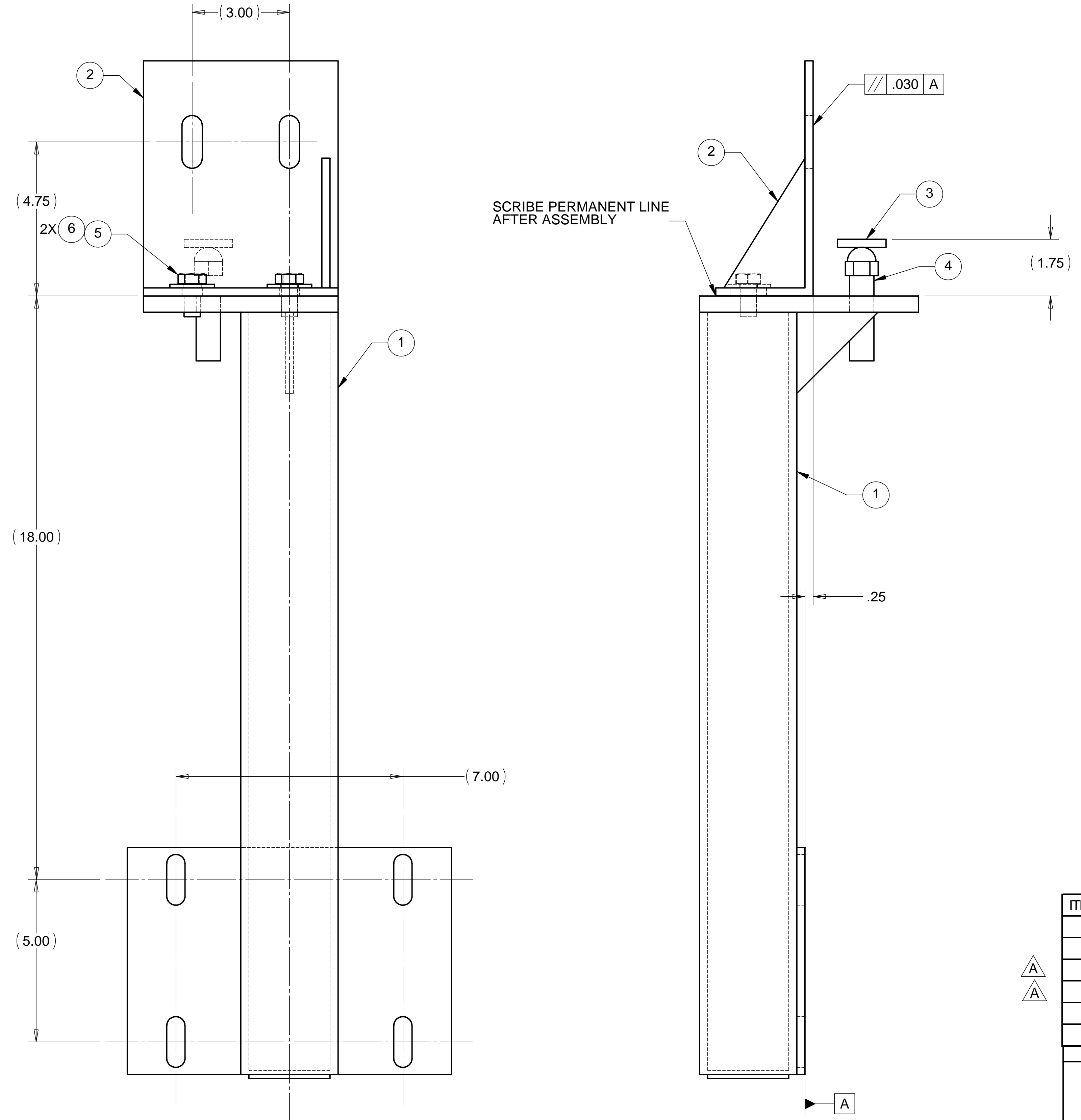


8 7 6 5 4 3 2 1

REVISIONS			
REV.	DESCRIPTION	DATE	APPROVED
A	CHANGED QUANTITY, PART REDRAWN	3/18/98	WKM

D

D



C

C

B

B

A

A

NOTES: UNLESS OTHERWISE SPECIFIED
 1. ASSEMBLY WEIGHS 35.1 Lbs.

ITEM NO.	QTY.	PART NO.	DESCRIPTION
1	1	D972925-1	HAM CROSSBEAM BRACKET BASE WELDMENT (RIGHT)
2	1	D972930-1	HAM CROSSBEAM BRACKET CLAMP WELDMENT
3	1	D972927-1	HAM CROSSBEAM BRACKET SHIM
4	1	CL-BL-6	ADJUSTABLE LOCATING BUTTON, CARR LANE
5	2	STD HARDWARE	HEX HEAD BOLT, 1/2-13 UNC-2A X .50 LONG
6	2	STD HARDWARE	WASHER, 1/2" FLAT

PARTS LIST			
UNLESS OTHERWISE SPECIFIED: DIMENSIONS ARE IN INCHES -TOLERANCES-		HYTEC, INC TITLE HAM CROSSBEAM BRACKET ASSEMBLY (RIGHT)	
DECIMALS .XX = +/- .03 .XXX = +/- .010	ANGULAR = +/- .30° SURFACE FINISH = 250		
FINISH	DESIGNED	SIGNATURE	DATE
	DRAWN	W. K. MILLER	12/18/98
	CHECKED	HARRY SALAZAR	3/13/98
	ENGR.	T. THOMPSON	3/13/98
	APPROVED	T. THOMPSON	3/13/98
PART NO. D972882-1	DWG. NO. D972882	SIZE D	SHEET NO. 1 of 1
	SCALE 1/2	REVISION A	

8 7 6 5 4 3 2 1