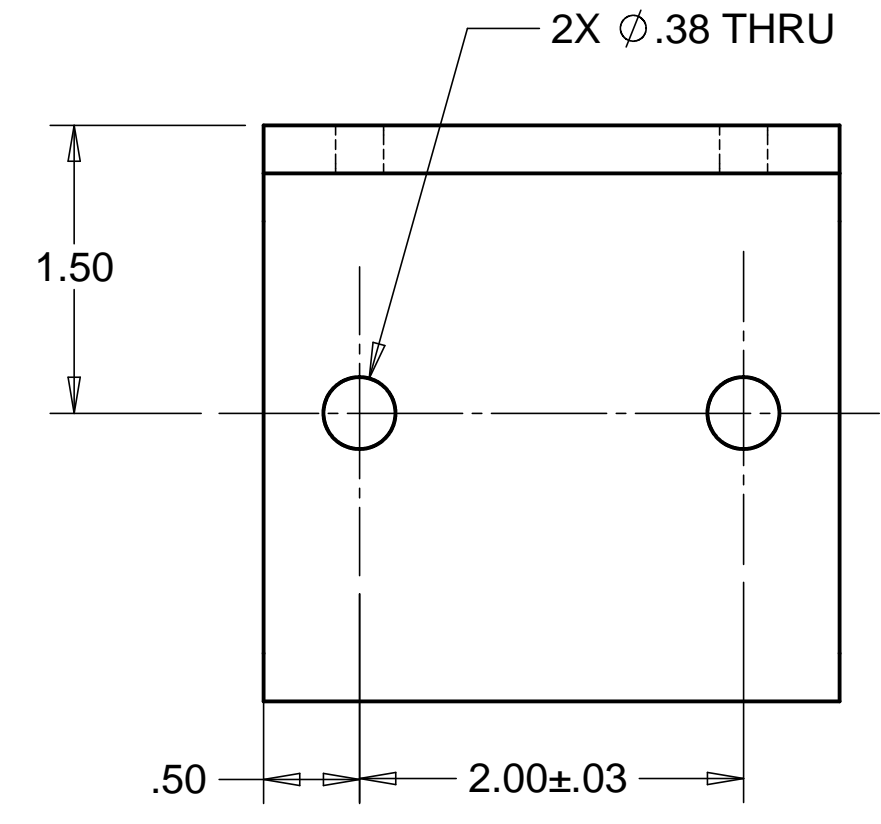


8 7 6 5 4 3 2 1

REVISIONS			
REV.	DESCRIPTION	DATE	APPROVED

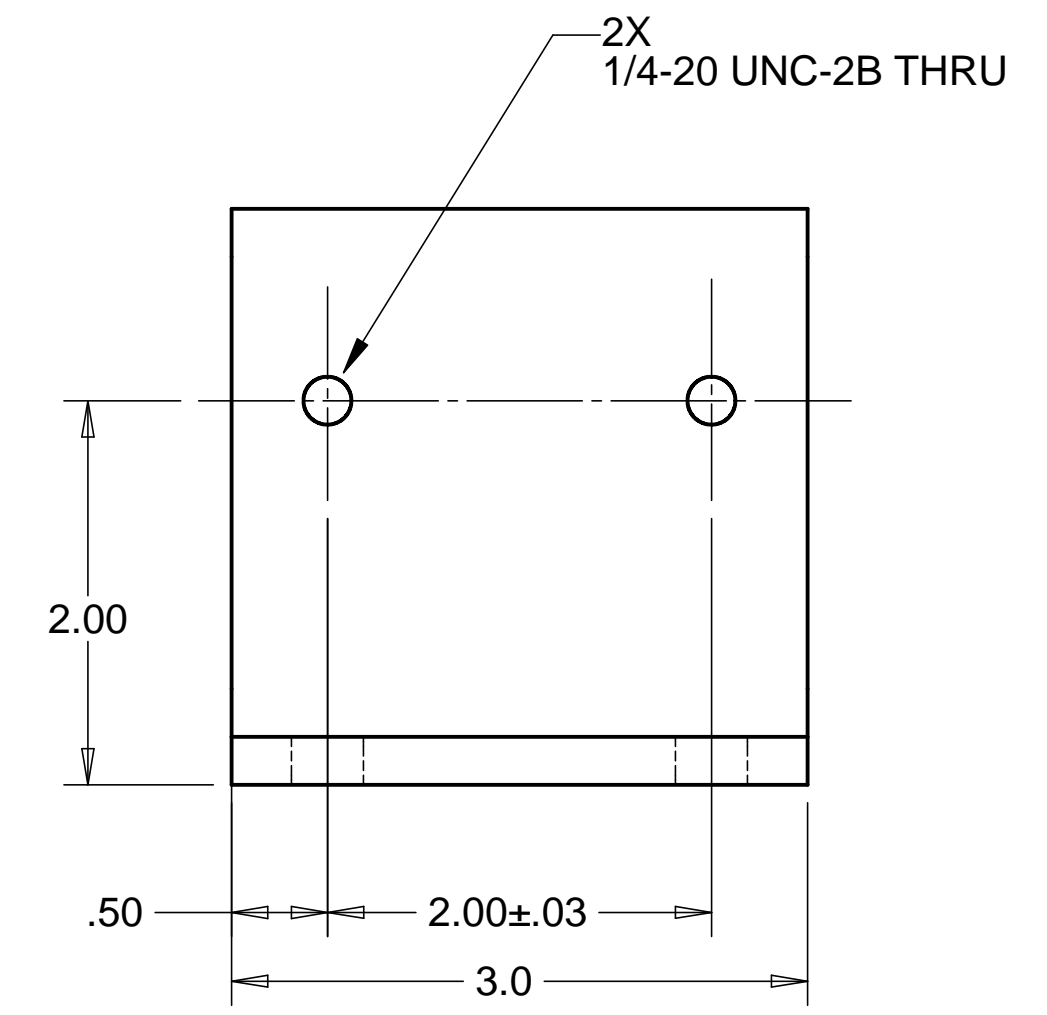
D

D



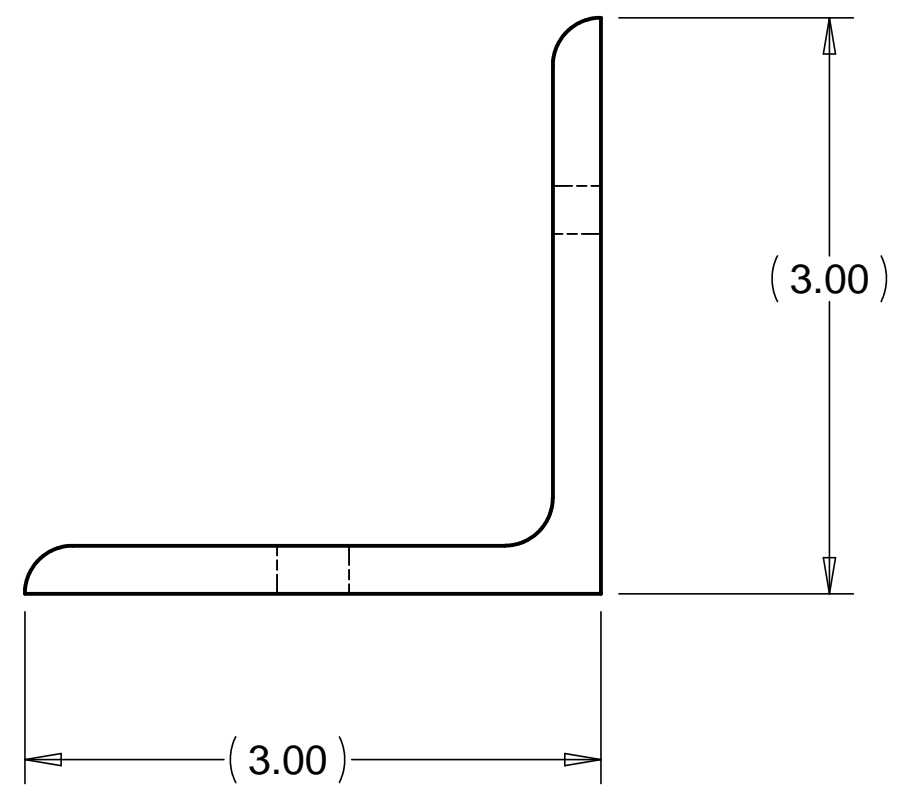
C

C



B

B



MATL: ANGLE, L3 X 3 X .25 WALL, A36 STEEL

NOTES: UNLESS OTHERWISE SPECIFIED

- ALL DIMENSIONS IN INCHES
- DIMENSIONS AND TOLERANCING PER ASME Y14.5M-1994
- SURFACE TEXTURE PER ANSI/ASME B 46.1-1985
- REMOVE ALL BURRS AND BREAK SHARP EDGES TO A MAXIMUM OF .015
- ALL INSIDE CORNERS TO BE .015 RADIUS MAX
- COUNTERSINK 82 DEGREES ALL TAPPED HOLES TO MAJOR DIAMETER
- COUNTERSINK 82 DEGREES APPROXIMATELY .015 DEEP ALL DRILLED HOLES
- PARTS TO BE THOROUGHLY CLEANED TO REMOVE ALL OIL, GREASE, DIRT AND CHIPS
- PART NUMBER (DRAWING NO. PLUS DASH NO. PLUS SERIAL NO.) TO BE CLEARLY MARKED ON THE PART ITSELF.
- PART WEIGHS 1.2 Lbs.
- PAINT PART USING SHERMAN WILLIAMS MEDIUM TEXTURED BEIGE (D13 POLANE T-PLUS, POLYURETHANE ENAMEL, F63 SERIES, #SW-F63TX-H-1651-5864).

A

A

PARTS LIST				
UNLESS OTHERWISE SPECIFIED: DIMENSIONS ARE IN INCHES -TOLERANCES- DECIMALS .X = +/- .1 .XX = +/- .060 ANGULAR = +/- 30' SURFACE FINISH = 250	CAD GENERATED DRAWING, DO NOT MANUALLY UPDATE DO NOT SCALE DRAWING		HYTEC, INC TITLE HAM CROSSBEAM SPACER BRACKET #2	
	FINISH	SIGNATURE	DATE	DWG. NO.
PART NO. D972924-1	DESIGNED	W. K. MILLER	12/12/97	SIZE SHEET NO. D 1 of 1
	DRAWN	W. K. MILLER	12/12/97	DWG. NO. D972924 SCALE 1/1
	CHECKED	HARRY SALAZAR	2/2/98	
ENGR.	T. THOMPSON	2/2/98	REVISION	
APPROVED	T. THOMPSON	2/2/98		

8 7 6 5 4 3 2 1