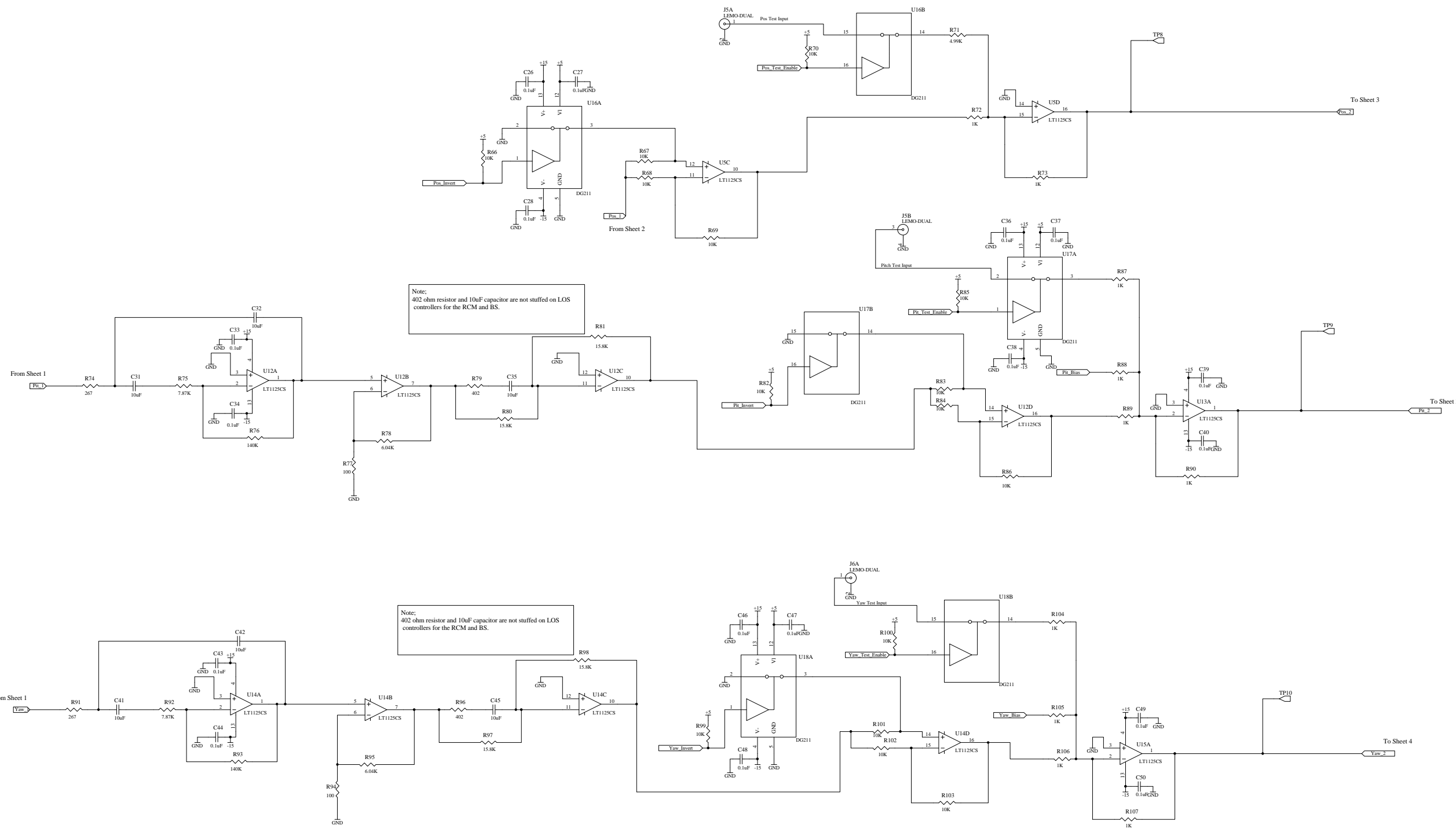
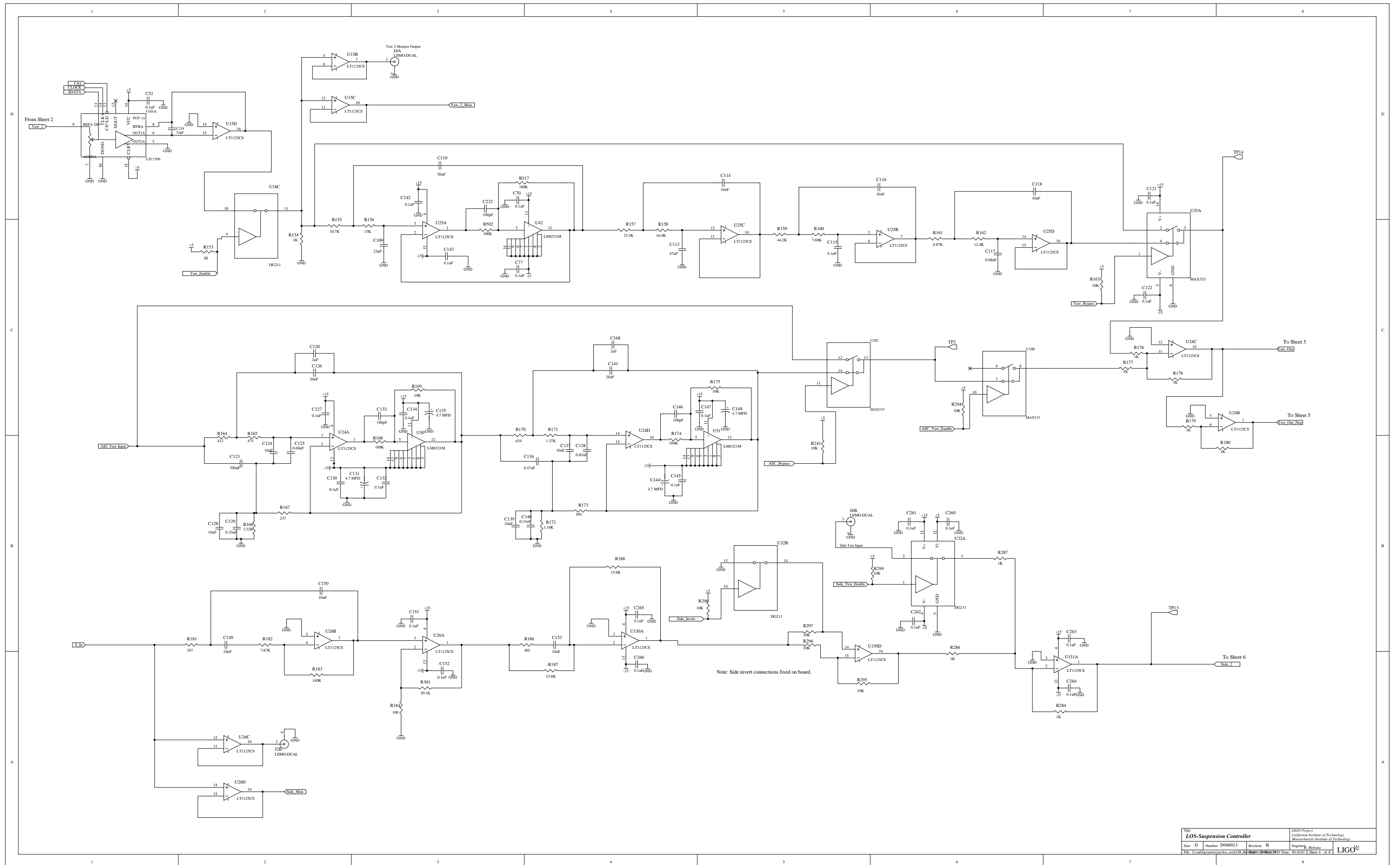


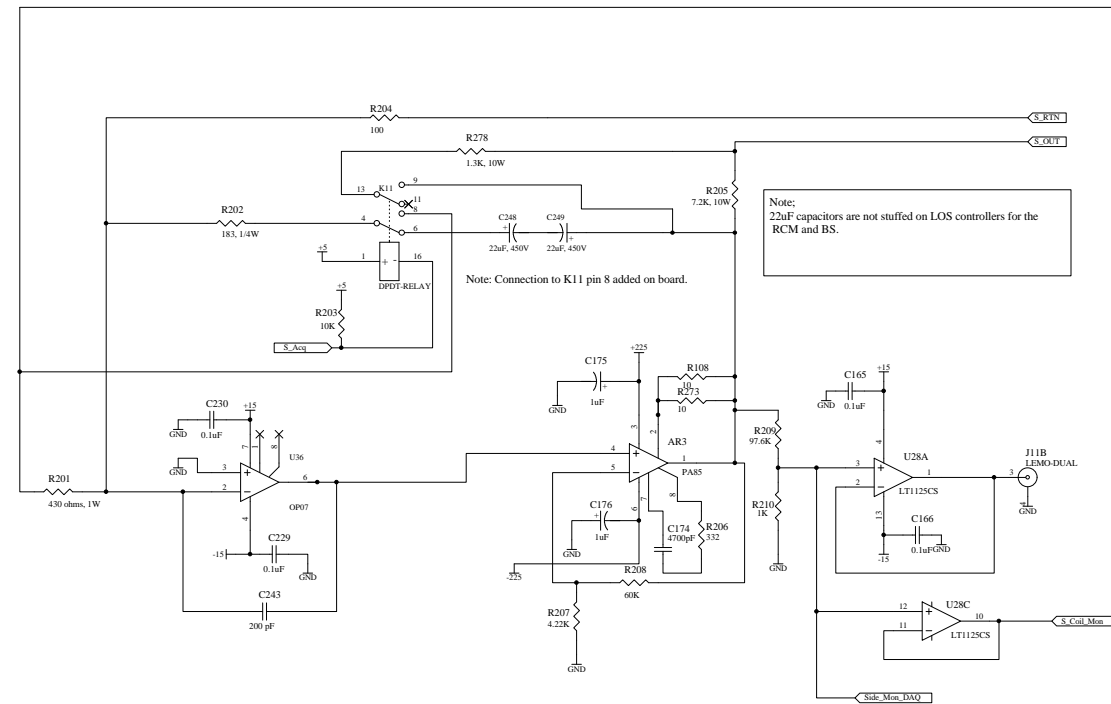
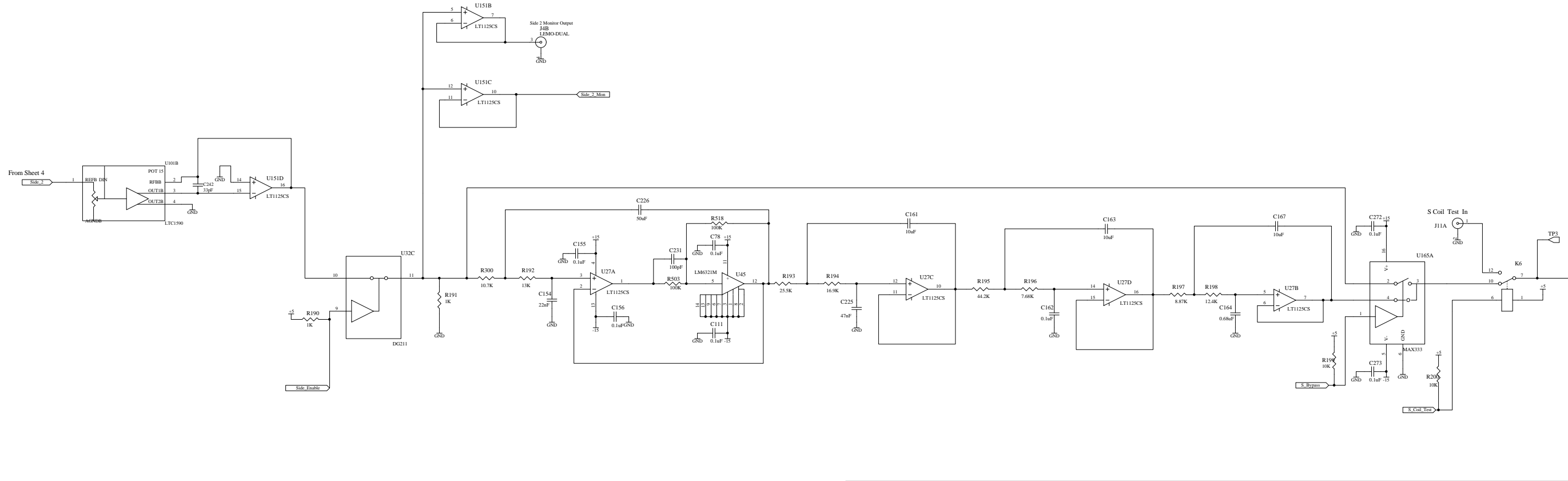
Note:
402 ohm resistor and 10uF capacitor are not stuffed on LOS controllers for the RCM and BS.



Note:
402 ohm resistor and 10uF capacitor are not stuffed on LOS controllers for the RCM and BS.

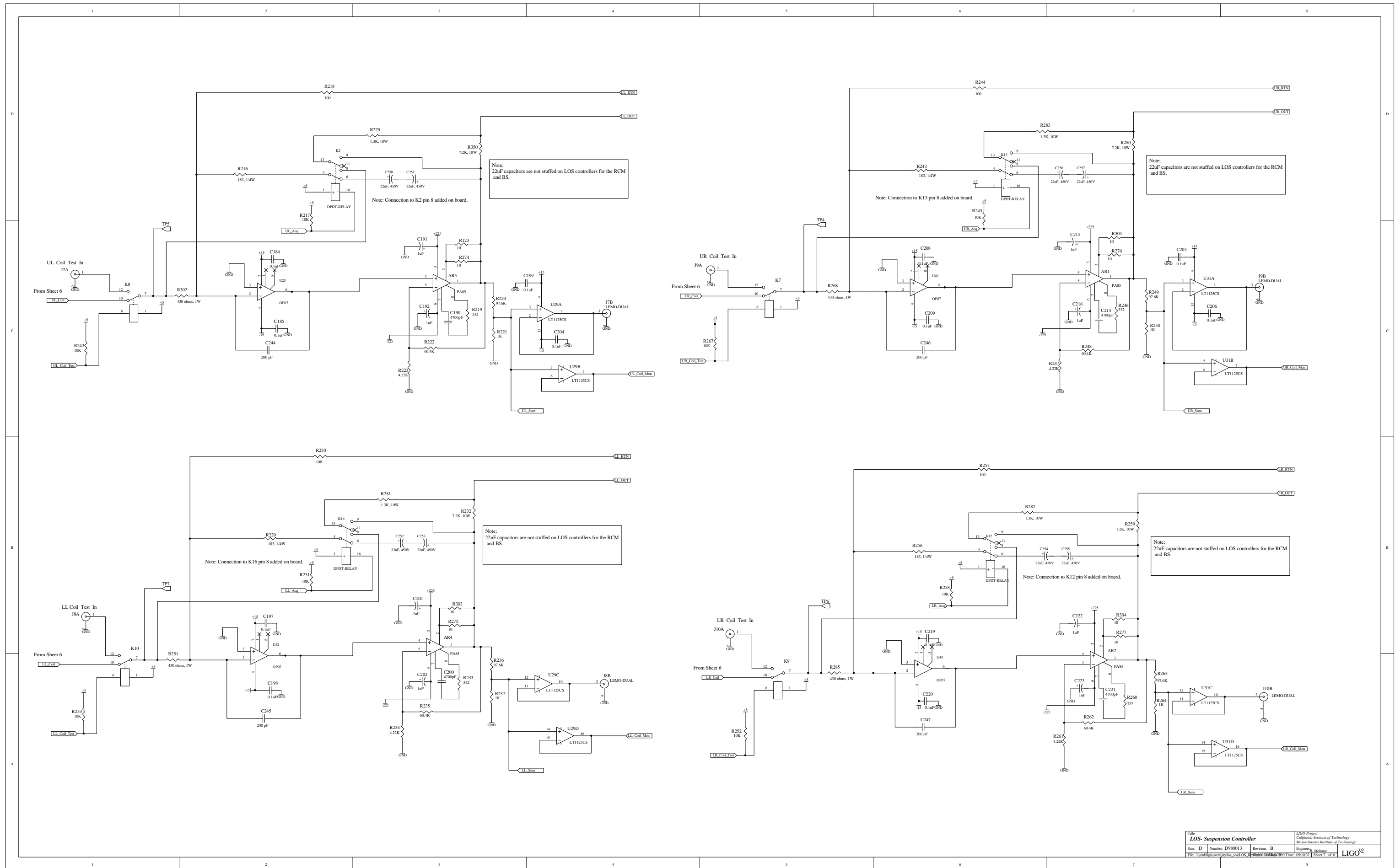
Note:
402 ohm resistor and 10uF capacitor are not stuffed on LOS controllers for the RCM and BS.

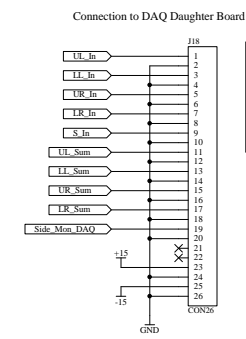
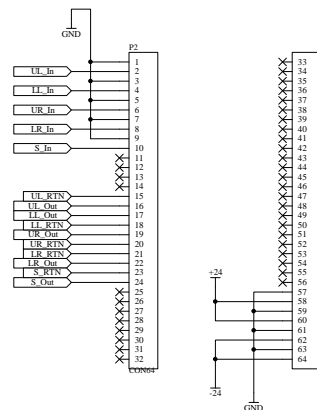
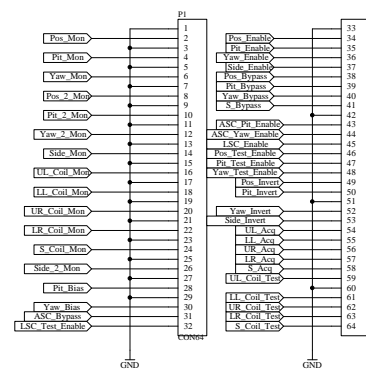
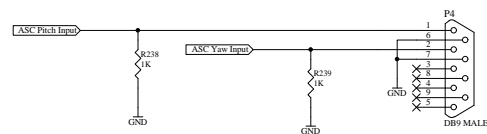
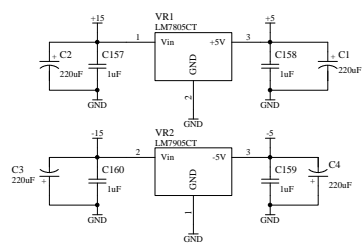
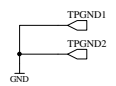
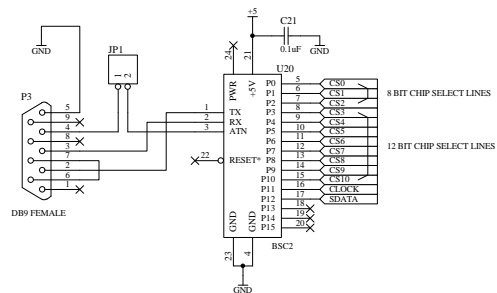
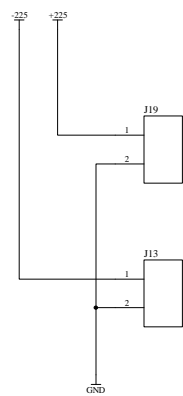
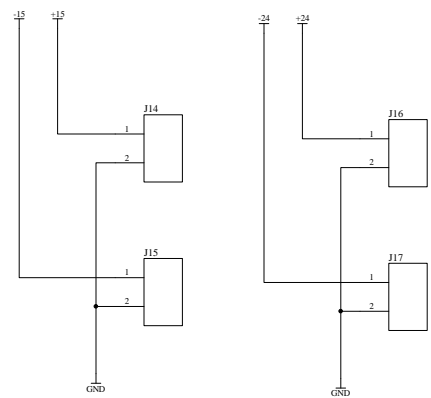




Note:
22nF capacitors are not stuffed on LOS controllers for the RCM and BS.

Note: Connection to K11 pin 8 added on board.





Note:
The wiring to the daughter card was changed after board manufacture. The actual connections to the board are made via wires to the coil driver outputs. The PD connections remain as shown.
An interface board (ref. D990022) is used for this function.

